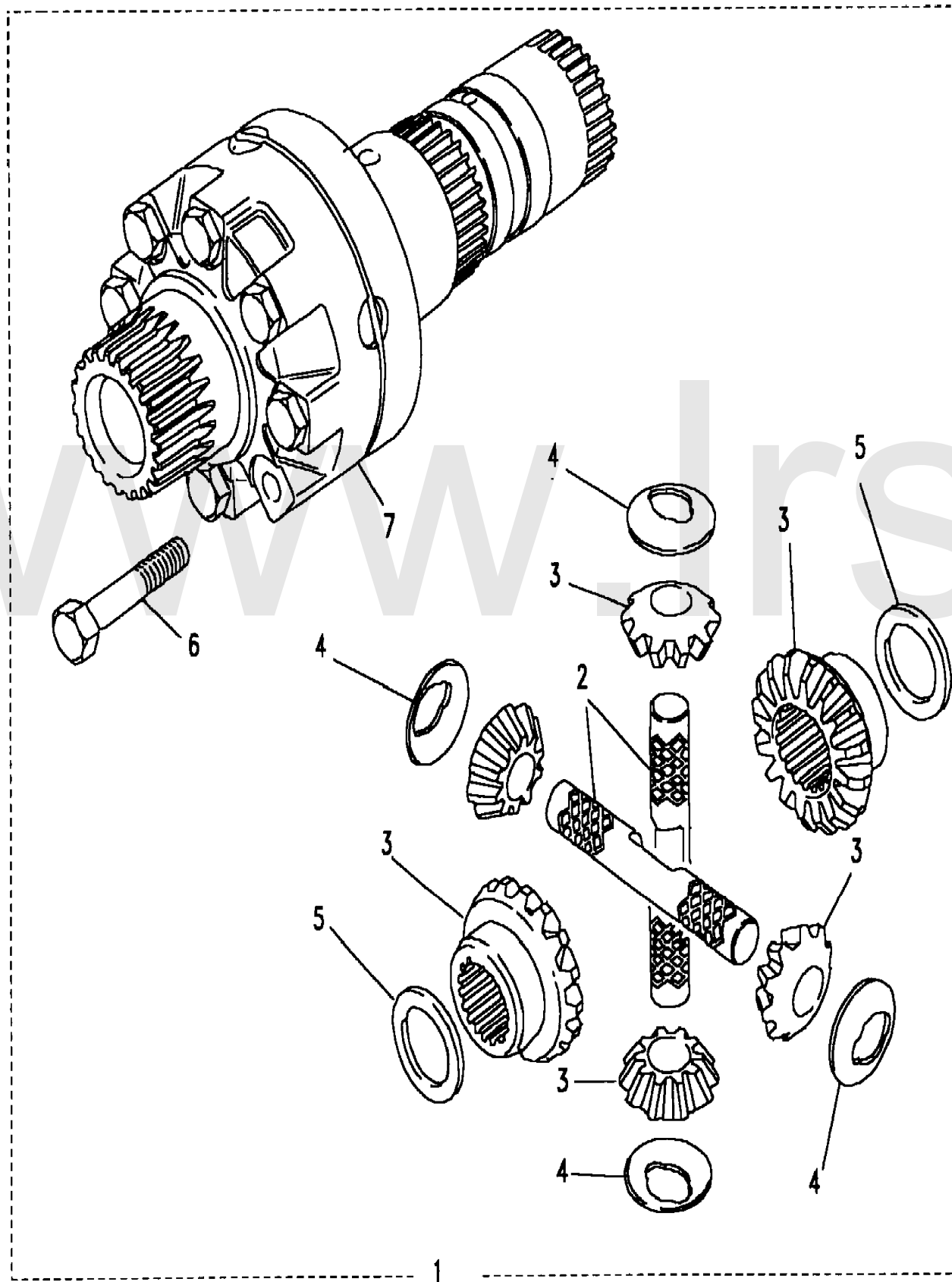


Transfer Box
LT230
Differential 1/1

Discovery (FA393361-WA799999)
(CADBGA1A)

Discovery (FA393361-WA799999)

Transfer Box
LT230
Differential



Callout	Name	Application	Remarks & Restrictions	Service No.	Qty
1	Differential assembly-transfer box	Change point - Transfer box end 575041G	Also serviced as part of a kit	FRC7926	1
		Change point - Transfer box begin 575042G	Also serviced as part of a kit	FTC5207	1
2	Kit-shaft-cross	Change point - Transfer box end 575041G	Also serviced as part of a kit	RTC3397	1
3	Kit-differential gears	Change point - Transfer box end 575041G	Also serviced as part of a kit	RTC4490	1
		Change point - Transfer box begin 575042G	Also serviced as part of a kit	STC2940	1
4	Washer-thrust	Change point - Transfer box end 575041G	Also serviced as part of a kit	FRC6968	4
		Change point - Transfer box begin 575042G	Also serviced as part of a kit	FRC6968	4
5	Washer-thrust	Change point - Transfer box end 575041G	Also serviced as part of a kit, 1.05MM	FRC9845	X
		Change point - Transfer box end 575041G	Also serviced as part of a kit, 1.15MM	FRC9847	X
		Change point - Transfer box end 575041G	Also serviced as part of a kit, 1.25MM	FRC9849	X
		Change point - Transfer box end 575041G	Also serviced as part of a kit, 1.35MM	FRC9851	X
		Change point - Transfer box end 575041G	Also serviced as part of a kit, 1.45MM	FRC9853	X
6	Bolt	Change point - Transfer box end 575041G	Also serviced as part of a kit, Long, M10 x 60	BH110121L	8
7	Ring-transfer box differential retaining	Change point - Transfer box end 575041G	Also serviced as part of a kit	FRC7499	1

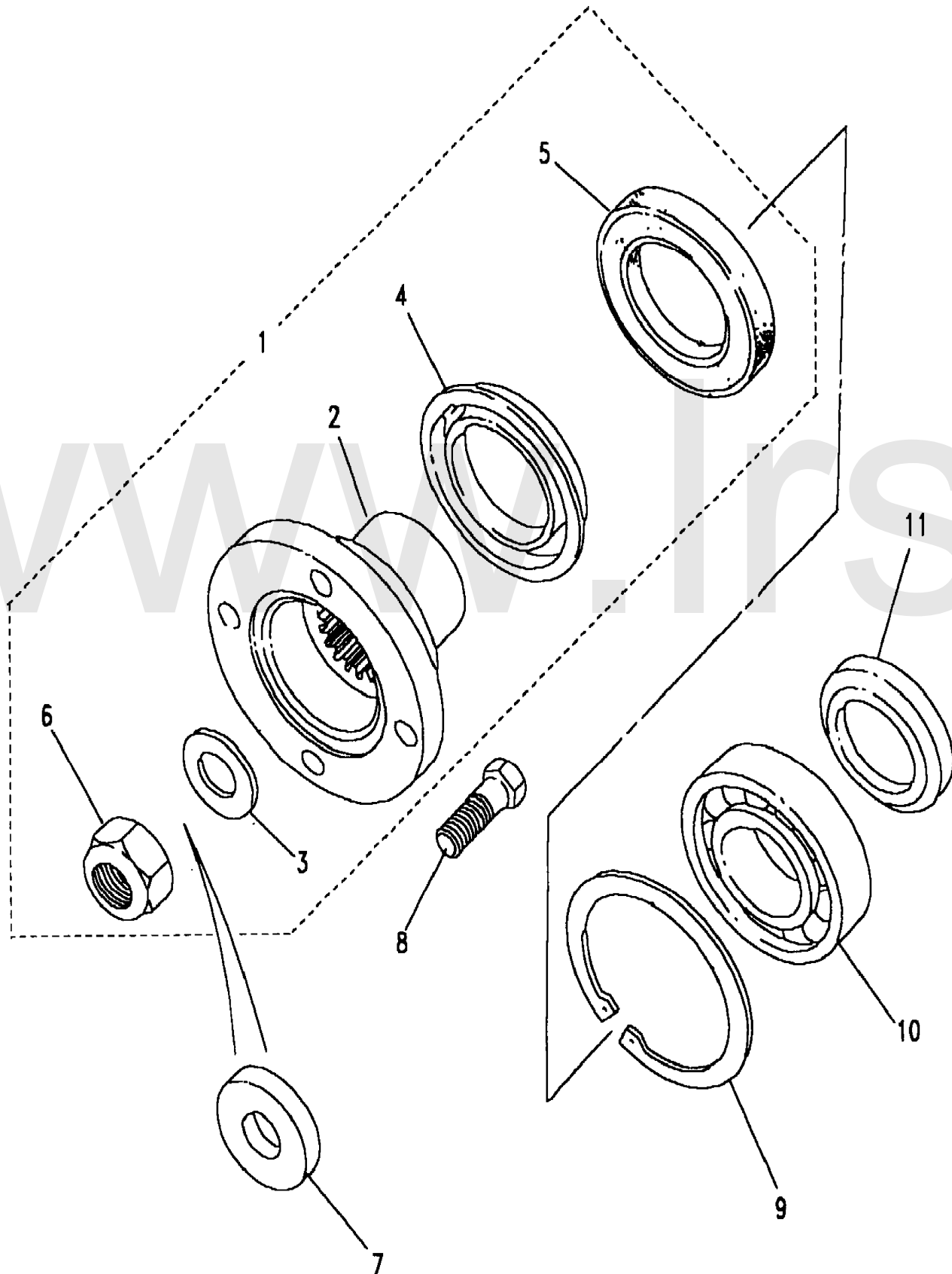
Transfer Box
LT230
Front Flange 1/1

Discovery (FA393361-WA799999)
(CADBIA4A)

Discovery (FA393361-WA799999)

Transfer Box
LT230
Front Flange

Callout	Name	Application	Remarks & Restrictions	Service No.	Qty
1	Flange assembly-front output		Also serviced as part of a kit	STC3432	1
2	Flange assembly-front output		Also serviced as part of a kit	FRC5442	1
3	Washer		Also serviced as part of a kit	FRC2464	1
4	Mudshield-transfer box oil seal	Change point - Transfer box begin 28D526135F, Change point - Transfer box end 28D999999F Change point - Transfer box begin 34D526135F, Change point - Transfer box end 34D999999F Change point - Transfer box begin 28D000001A, Change point - Transfer box end 28D526134F Change point - Transfer box begin 34D000001A, Change point - Transfer box end 34D526134F	Also serviced as part of a kit	FTC4940	1
5	Seal-transfer box output	Change point - Transfer box begin 28D526135F, Change point - Transfer box end 28D999999F Change point - Transfer box begin 34D526135F, Change point - Transfer box end 34D999999F Change point - Transfer box begin 28D000001A, Change point - Transfer box end 28D526134F Change point - Transfer box begin 34D000001A, Change point - Transfer box end 34D526134F	Also serviced as part of a kit	FTC4939	1
6	Nut-hexagonal-nyloc		Also serviced as part of a kit, M20	NY120041L	1
7	Washer			571468	1
8	Bolt		3/8UNC x 1 1/4	BT606101L	4
9	Circlip		Large	216962	1
10	Bearing-ball			STC1130	1
11	Spacer			FRC5439	1

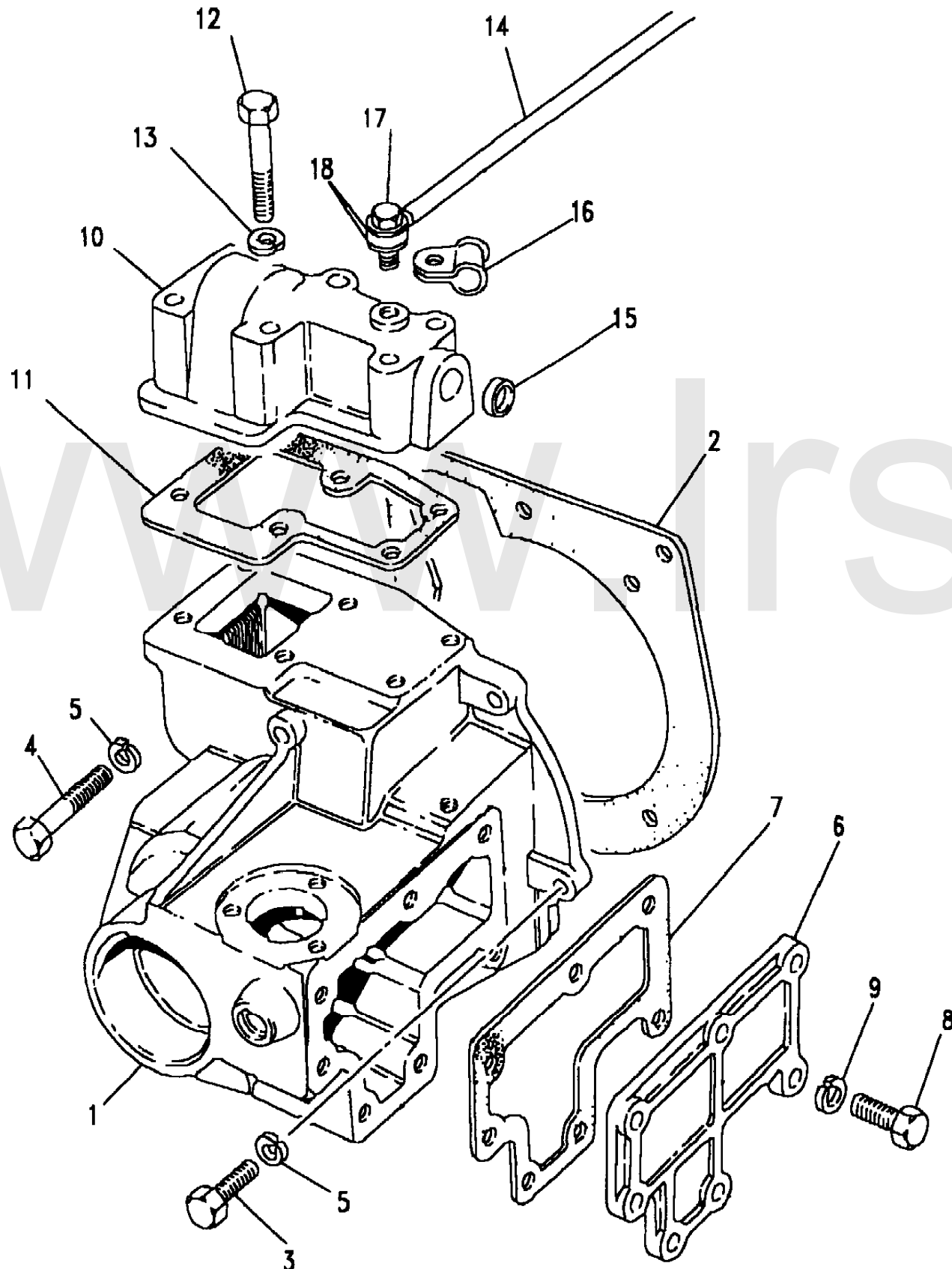


Transfer Box
LT230
Front Housing 1/1

Discovery (FA393361-WA799999)
(CADBCA1A)

Discovery (FA393361-WA799999)

Transfer Box
LT230
Front Housing



Callout	Name	Application	Remarks & Restrictions	Service No.	Qty
1	Housing-output shaft front			FRC8299	1
				FTC4178	1
2	Gasket			FRC6103	1
3	Screw		M8 x 25, Flanged Head M8 x 25, Flanged Head	FS108251L FS108257L	7 7
4	Bolt		hexagonal head, M8 x 90 Flanged Head, M8 x 90	BH108181L FB108181ML	1 1
5	Washer		8MM	WA108051L	8
6	Cover-transfer box front housing			FRC6104	1
7	Gasket-transfer box side cover			FRC6105	1
8	Screw	Manual Transmission	(-) TDI, M8 x 25, hexagonal head	SH108251L	7
		TDi, Automatic Transmission	M8 x 25, Flanged Head	FS108251ML	7
9	Washer		8MM	WA108051L	7
10	Housing-cross shaft			FRC6106	1
11	Gasket-transfer box cover to case			FRC7998	1
12	Bolt		Flanged Head, M8 x 55	FB108111L	6
13	Washer		8MM	WA108051L	6
14	Tube-breather transmission case			FRC9427	1
15	Plug	Change point - Transfer box end 580318G Change point - Transfer box begin 580319G		FRC7930 FTC5427	1 1
16	Clip-p		5/16"	BAU1689	1
17	Bolt-banjo			595478	1
18	Washer-sealing		transfer box breather pipe banjo	232039	2
[900]	Screw	Manual Transmission	(-) TDI, M8 x 25, hexagonal head	SH108257	7
[901]	Sealant		silicone	RTC3254	1

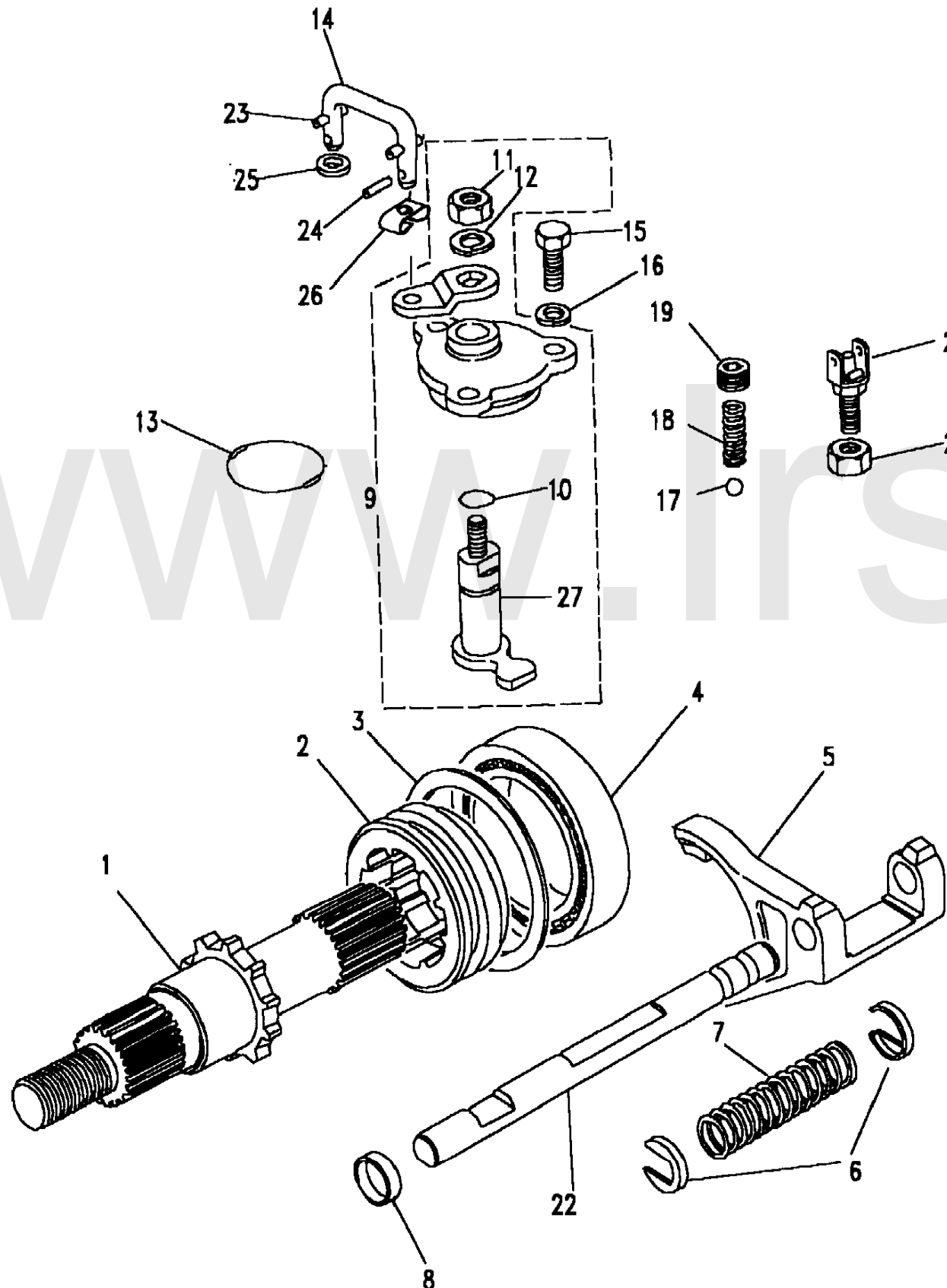
Transfer Box
LT230
Front Output Shaft 2/2

Discovery (FA393361-WA799999)

(CADBIA3A)

Discovery (FA393361-WA799999)

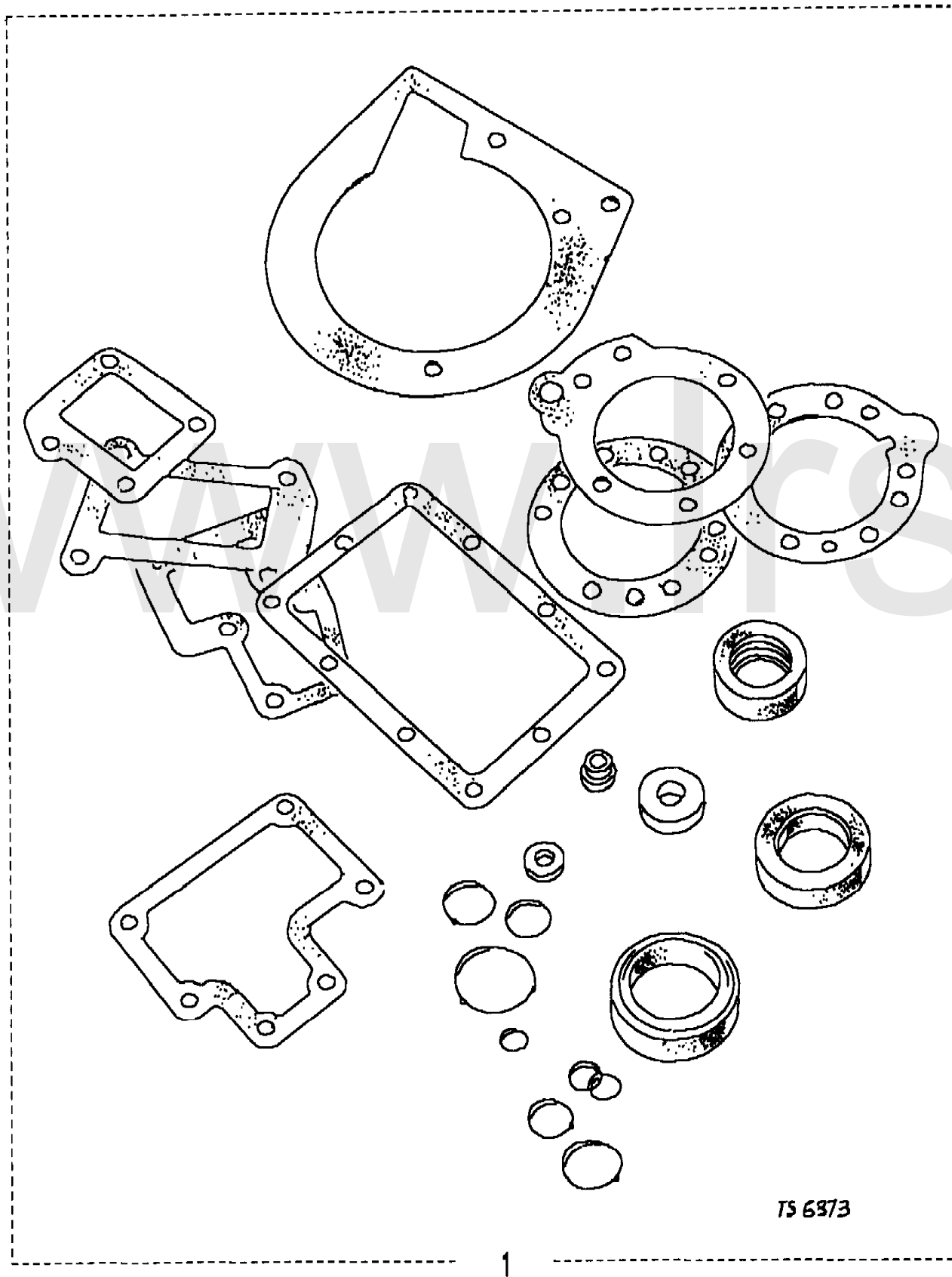
Transfer Box
LT230
Front Output Shaft



Callout	Name	Application	Remarks & Restrictions	Service No.	Qty
13	O Ring			FRC5473	1
14	Link-transfer box differential lock connecting	Change point - Axle end 28D274897E		FRC8544	1
		Change point - Axle begin 28D274898E		FTC3698	1
15	Screw	Change point - Axle end 28D274401E	M8 x 25, hexagonal head	SH108251L	3
			M8 x 25, Flanged Head	FS108251L	3
		Change point - Axle begin 28D274402E	M8 x 25, Flanged Head	FS108251ML	3
16	Washer	Change point - Axle end 28D274401E	6MM	WA106041L	2
17	Ball-detent manual transmission			571146	1
18	Spring-transfer box detent			FRC5562	1
19	Screw		M12	SU112101M	1
			M12 x 10, patch lock	SU112101S	1
21	Switch		Reverse Lamp	PRC2911	1
22	Shaft-transfer box differential lock selector			FRC6030	1
23	Pin-roll			FRC8394	2
24	Pin-split	Change point - Axle end 28D274897E		PS103121L	2
25	Washer	Change point - Axle end 28D274897E	6MM	WA106041L	2
26	Clip	Change point - Axle begin 28D274898E		FTC3674	2
27	Pivot-transfer box differential lock shaft/arm			FRC7098	1
[900]	Shaft assembly-front output			IED000010	1
[901]	Screw		M8 x 25, hexagonal head	SH108257	3
[902]	Locknut			UYF100160	1

Transfer Box
LT230
Gasket Kit 1/2

Discovery (FA393361-WA799999)
(CADBPA1A)



TS 6373

Discovery (FA393361-WA799999)

Transfer Box
LT230
Gasket Kit

Callout	Name	Application	Remarks & Restrictions	Service No.	Qty
1	Kit-gasket and seal		Also serviced as part of a kit	RTC3890	1
[900]	O Ring		cross shaft intermediate shaft-front, Also serviced as part of a kit intermediate shaft, Also serviced as part of a kit speedometer spindle housing, Also serviced as part of a kit cross shaft, Also serviced as part of a kit intermediate shaft, Also serviced as part of a kit selector shaft, Also serviced as part of a kit crank arm, Also serviced as part of a kit Also serviced as part of a kit pivot shaft, Also serviced as part of a kit intermediate shaft-anti rotation plate, Also serviced as part of a kit	FRC4951 FRC8292 532323 571665 FRC4509 FRC5419 FRC5473 FRC5479 FRC5575 FRC5576 FRC7439	2 2 1 1 2 1 1 1 2 1 1
[901]	Gasket-transfer box speedometer housing		Also serviced as part of a kit	FRC5409	1
[902]	Gasket-transfer box power take off cover		Also serviced as part of a kit	FRC5413	2
[903]	Gasket-transfer box bottom cover		Also serviced as part of a kit	FRC5416	1
[904]	Gasket-transfer box gear change housing plate		Also serviced as part of a kit	FRC5486	1
[905]	Gasket		Also serviced as part of a kit	FRC6103	1
[906]	Gasket-transfer box side cover		Also serviced as part of a kit	FRC6105	1
[907]	Gasket-transfer box gear change housing plate		Also serviced as part of a kit & gear change, Also serviced as part of a kit	FRC6306 FTC4036	1 1
[908]	Gasket-transfer box cover to case		Also serviced as part of a kit	FRC7998	1
[909]	Washer		Also serviced as part of a kit	FRC2464	2
[910]	Seal-oil speedometer pinion		Also serviced as part of a kit	AAU2304	1
[911]	Seal		Also serviced as part of a kit	FRC2365	1

SEP 04

412

Transfer Box
LT230
Gasket Kit 2/2

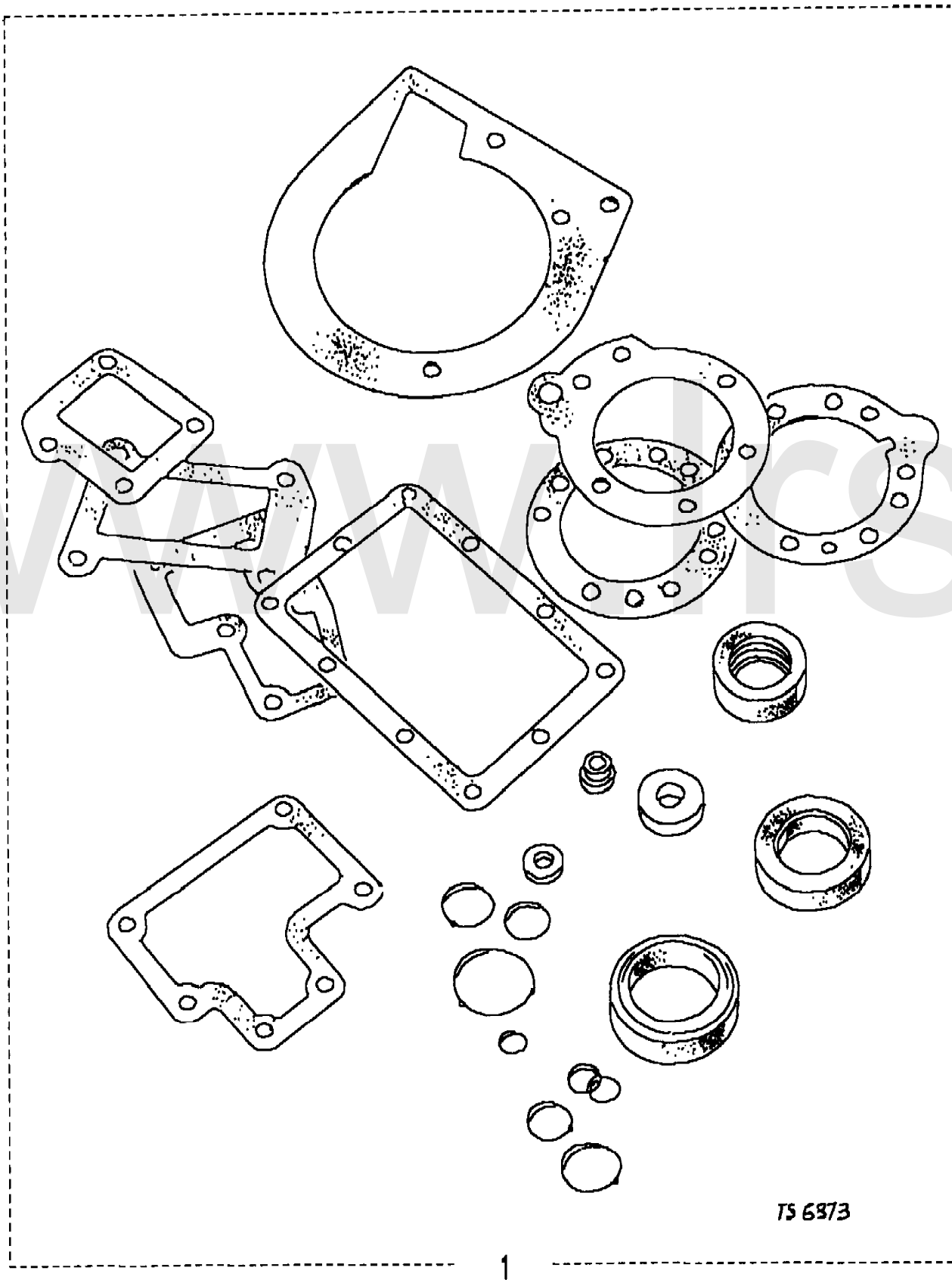
Discovery (FA393361-WA799999)
(CADBPA1A)

412

SEP 04

Discovery (FA393361-WA799999)

Transfer Box
LT230
Gasket Kit



Callout	Name	Application	Remarks & Restrictions	Service No.	Qty
[912]	Seal-transfer box output		Also serviced as part of a kit	FRC7043	2
[913]	Washer-sealing		transfer box drain plug, Also serviced as part of a kit	FRC4808	1

www.proservice.ru

Transfer Box
LT230
Gear Change 1/2

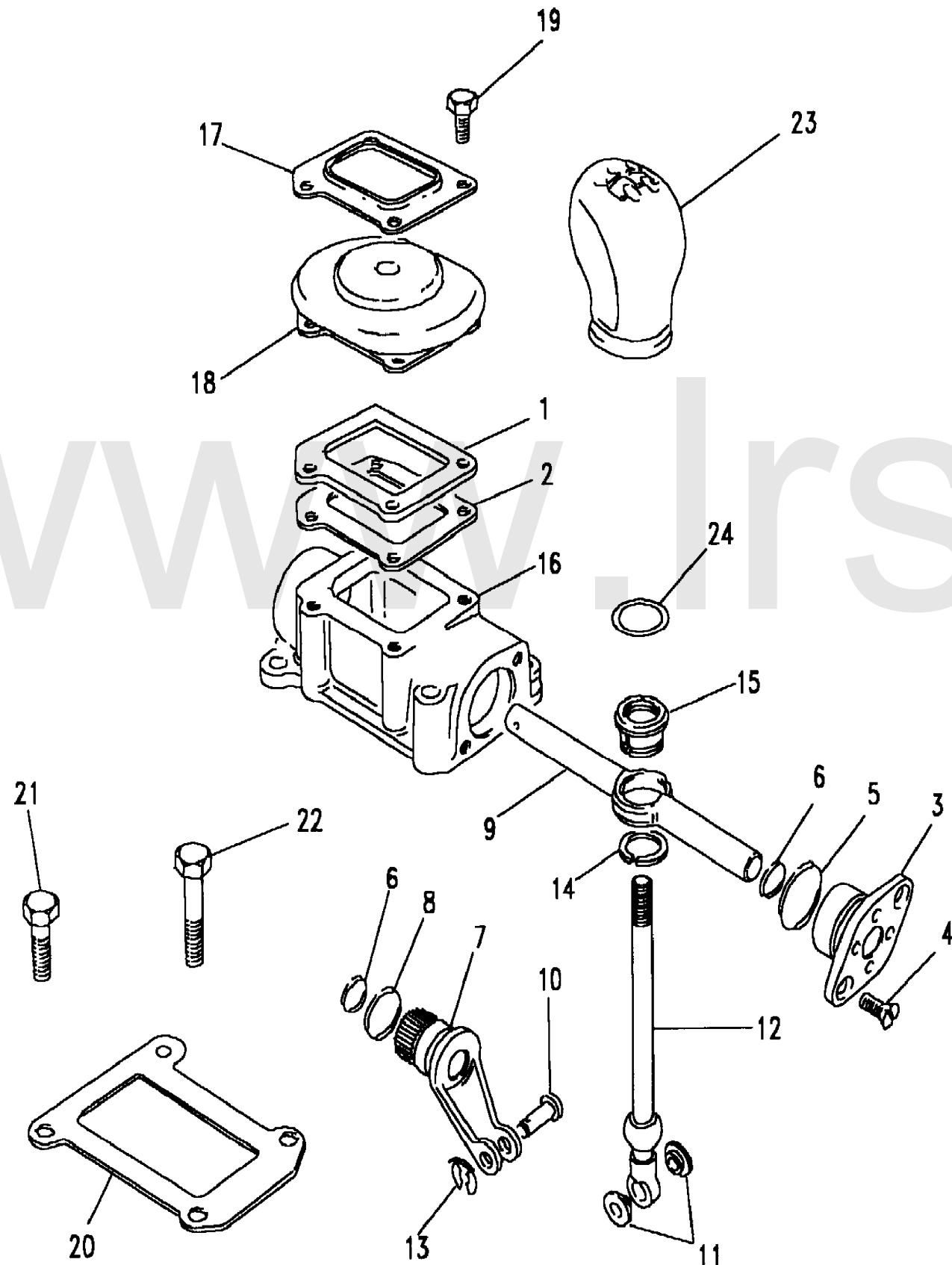
Discovery (FA393361-WA799999)
(CADBMA1B)

Discovery (FA393361-WA799999)

Transfer Box
LT230
Gear Change

Automatic Transmission

Callout	Name	Application	Remarks & Restrictions	Service No.	Qty
1	Plate-gear lever retention			FRC8561	1
2	Gasket-transfer box gear change housing plate	Change point - VIN end LA081991		FRC5486	1
		Change point - VIN begin MA081992, Change point - VIN end MA126064		FTC4037	1
		Change point - VIN begin MA081992, Change point - VIN end MA136351		FTC4037	1
		Change point - VIN begin MA081992, Change point - VIN end MA141581		FTC4037	1
3	Plate-transfer box selector cross shaft end			FRC5574	1
4	Screw		M6 X 20, counter sunk, recessed	SF106201L	2
5	O Ring			FRC8292	1
6	O Ring			FRC4951	2
7	Lever assembly bell crank			FRC5480	1
8	O Ring			FRC5479	3
9	Shaft-gear change cross			FRC8203	1
10	Pin-clevis/pivot			FRC8766	1
11	Bush			FRC4499	2
12	Lever-transfer box	Change point - VIN end LA081991	bent	FTC2471	1
		Change point - VIN begin MA081992, Change point - VIN end MA126064	Straight	FRC9674	1
		Change point - VIN begin MA081992, Change point - VIN end MA136351	Straight	FRC9674	1
		Change point - VIN begin MA081992, Change point - VIN end MA141581	Straight	FRC9674	1
		Change point - VIN begin MA126065	rubber mounted	FTC4735	1
		Change point - VIN begin MA136352	rubber mounted	FTC4735	1
		Change point - VIN begin MA141582	rubber mounted	FTC4735	1
13	Clip-spring steel			ETC7884	1



Transfer Box
LT230
Gear Change 2/2

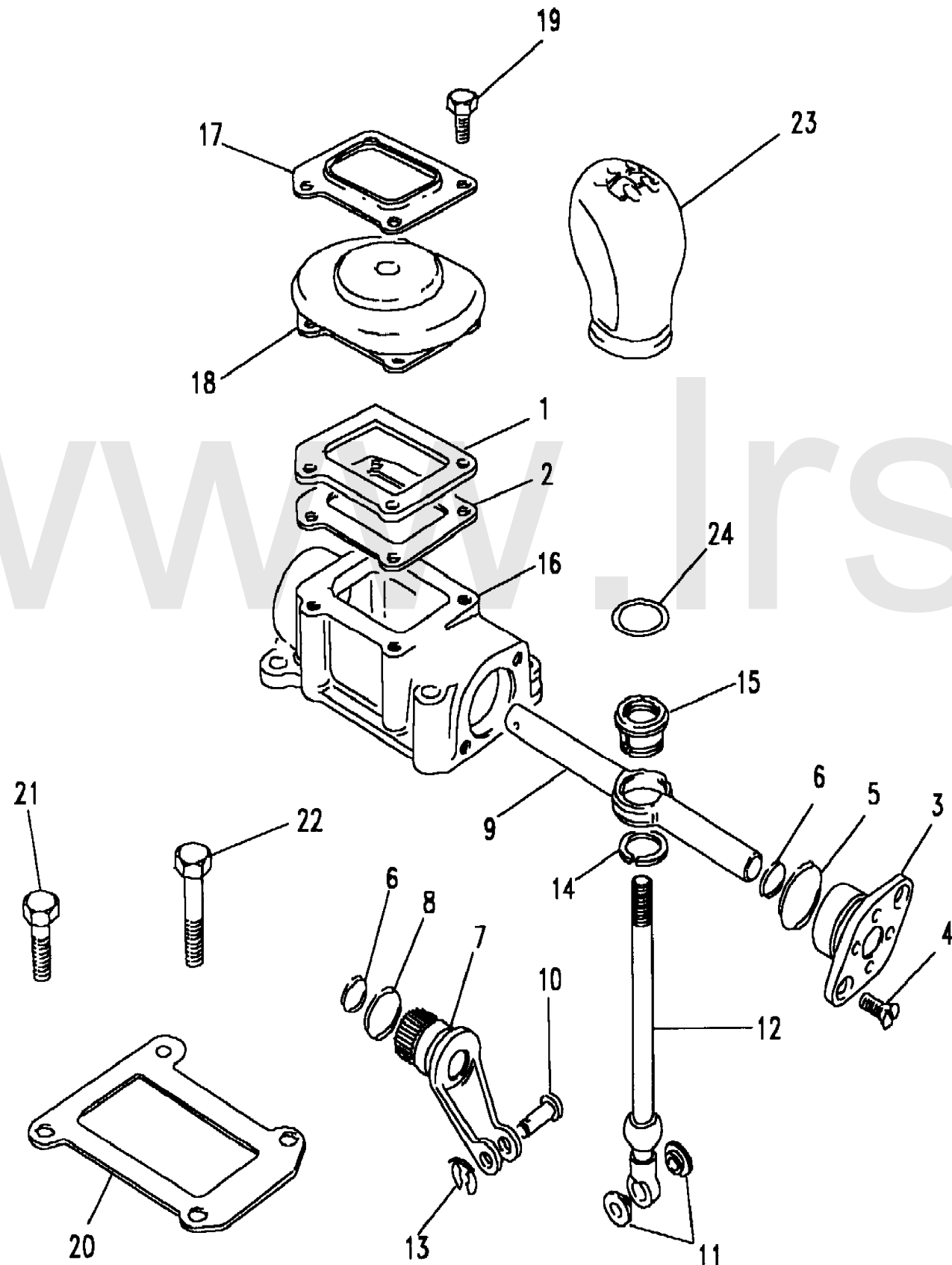
Discovery (FA393361-WA799999)
(CADBMA1B)

Discovery (FA393361-WA799999)

Transfer Box
LT230
Gear Change

Automatic Transmission

Callout	Name	Application	Remarks & Restrictions	Service No.	Qty
14	Circlip			CR120215	1
15	Bush-joint selector rod/yoke manual transmission		Also serviced as part of a kit	FRC5076	1
16	Housing assembly-gear change cross shaft			FRC8751	1
17	Plate-transfer box gearchange grommet retaining	Change point - VIN begin MA126065, Change point - VIN end MA160601		FRC6873	1
18	Grommet	Change point - VIN begin MA126065, Change point - VIN end MA160601		FRC6872	1
19	Screw		M6 X 20, Flanged Head M6 X 20, Flanged Head	FS106207L FS106201L	4 4
20	Gasket-transfer box gear change housing plate	Change point - VIN end MA160601 Change point - VIN begin MA160602		FRC6306 FTC4036	1 1
21	Screw		M8 x 25, Flanged Head M8 x 25, Flanged Head	FS108251L FS108257L	2 2
22	Bolt		Flanged Head, M8 x 55	FB108111L	1
23	Knob assembly-transfer box change	Change point - VIN end MA126153 Change point - VIN begin MA126154, Change point - VIN end MA160601 Change point - VIN begin MA160602	Ash Grey Ash Grey Ash Grey Black	MXC5321LNF AWR2786LNF AWR2983LNF AWR2983PMA	1 1 1 1
24	O Ring	Change point - VIN begin MA126065 Change point - VIN begin MA136352 Change point - VIN begin MA141582		FRC5575 FRC5575 FRC5575	1 1 1
[900]	Sealant	Change point - VIN begin MA126065 Change point - VIN begin MA136352 Change point - VIN begin MA141582	silicone silicone silicone	RTC3254 RTC3254 RTC3254	1 1 1



Transfer Box
LT230
Gear Change 1/3

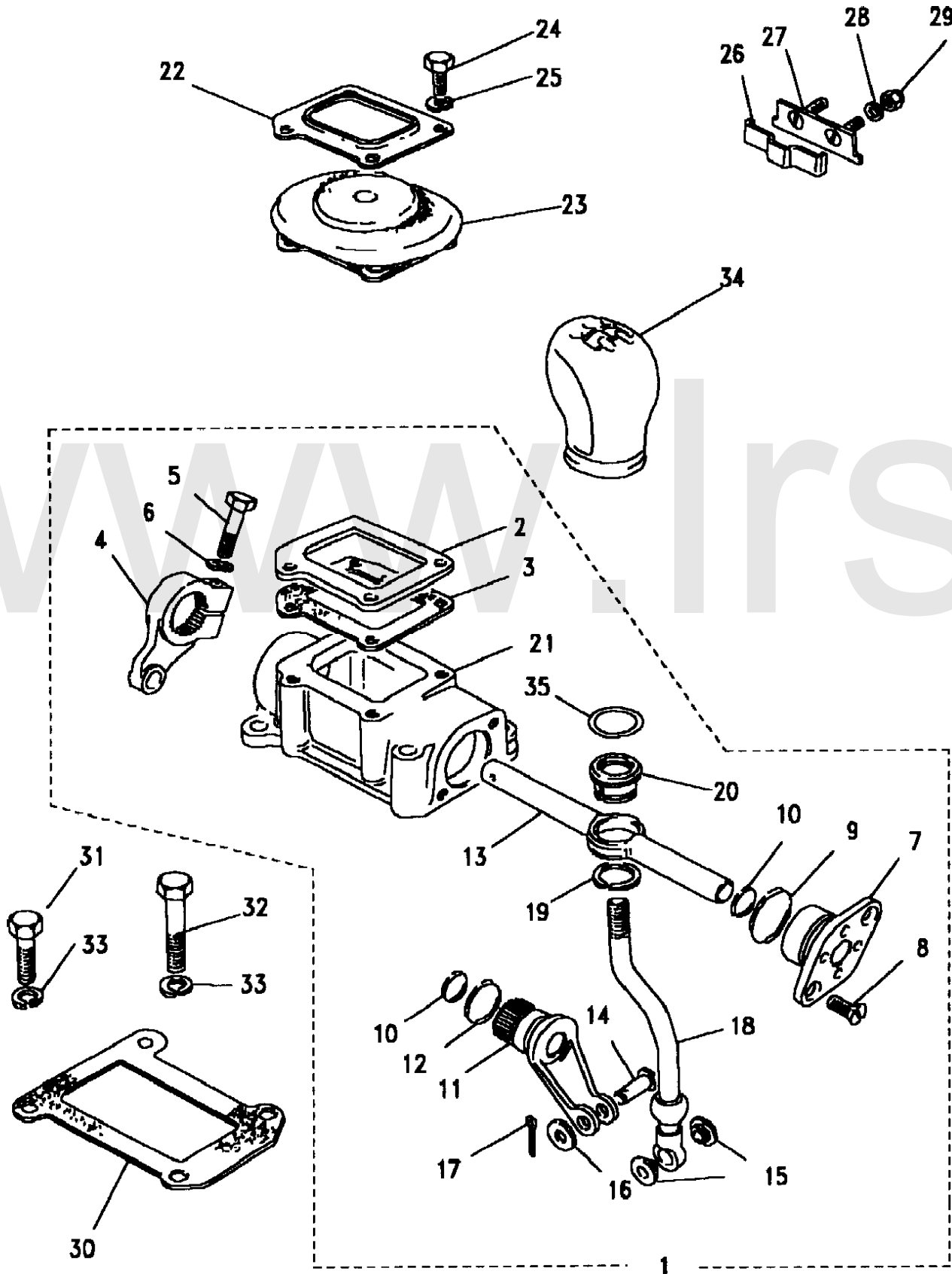
Discovery (FA393361-WA799999)
(CADBMA1A)

Discovery (FA393361-WA799999)

Transfer Box
LT230
Gear Change

Manual Transmission

Callout	Name	Application	Remarks & Restrictions	Service No.	Qty
1	Mechanism assembly-transfer box gear change	Change point - VIN begin JA027886	Also serviced as part of a kit	FRC9683	1
2	Plate-gear lever retention	Change point - VIN begin JA027886, Change point - VIN end MA160601	Also serviced as part of a kit	FRC8542	1
3	Gasket-transfer box gear change housing plate	Change point - VIN begin JA027886, Change point - VIN end LA081991 Change point - VIN begin JA027886, Change point - VIN end MA160601 Change point - VIN begin MA081992, Change point - VIN end MA160601	Also serviced as part of a kit Also serviced as part of a kit Also serviced as part of a kit	FRC5486 FTC4037 FTC4037	1 1 1
4	Arm-transfer box gearchange	Change point - VIN begin JA027886, Change point - VIN end MA160601	Also serviced as part of a kit	FRC5478	1
5	Screw	M8 x 25, Flanged Head M8 x 25, Flanged Head Change point - VIN begin JA027886, Change point - VIN end MA160601	Also serviced as part of a kit, Flanged Head, M6 x 25, patch lock	FS108251L FS108251ML FS106251M	2 X 1
6	Washer	Change point - VIN begin JA027886, Change point - VIN end MA160601	Also serviced as part of a kit	WL106041L	1
7	Plate-transfer box selector cross shaft end	Change point - VIN begin JA027886, Change point - VIN end MA160601	Also serviced as part of a kit	FRC5574	1
8	Screw	Change point - VIN begin JA027886, Change point - VIN end MA160601	Also serviced as part of a kit, M6 X 20, counter sunk, recessed	SF106201L	2
9	O Ring	Change point - VIN begin JA027886, Change point - VIN end MA160601	Also serviced as part of a kit	FRC8292	1
10	O Ring	Change point - VIN begin JA027886, Change point - VIN end MA160601	Also serviced as part of a kit	FRC4951	2
11	Lever assembly bell crank	Change point - VIN begin JA027886, Change point - VIN end MA160601	Also serviced as part of a kit	FRC5480	1
12	O Ring	Change point - VIN begin JA027886, Change point - VIN end MA160601	Also serviced as part of a kit	FRC5479	3
13	Shaft-gear change cross	Change point - VIN begin JA027886, Change point - VIN end MA160601	Also serviced as part of a kit	FRC8203	1



Transfer Box
LT230
Gear Change 2/3

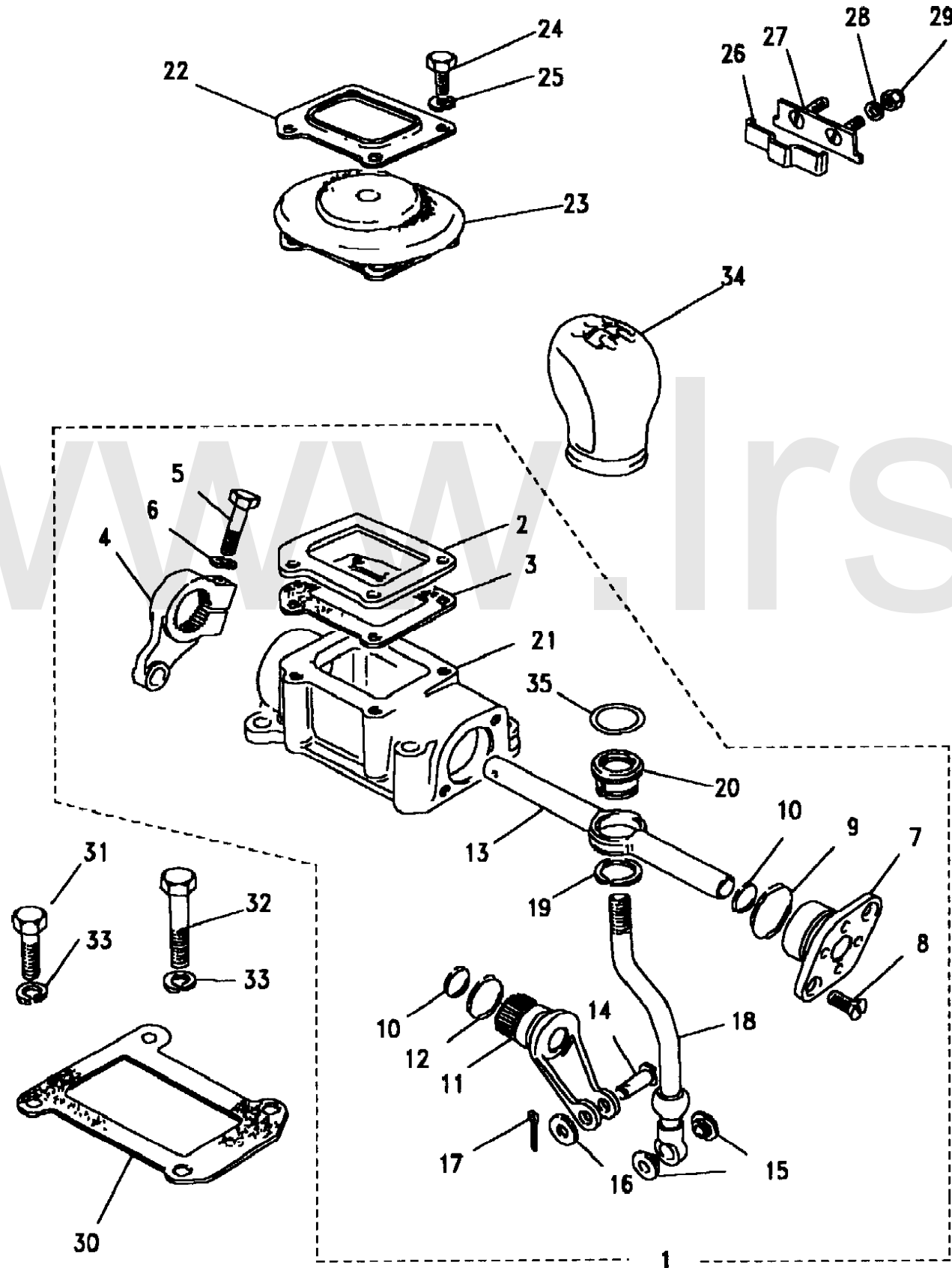
Discovery (FA393361-WA799999)
(CADBMA1A)

Discovery (FA393361-WA799999)

Transfer Box
LT230
Gear Change

Manual Transmission

Callout	Name	Application	Remarks & Restrictions	Service No.	Qty
14	Pin-clevis/pivot	Change point - VIN begin JA027886, Change point - VIN end MA160601	Also serviced as part of a kit	FRC8766	1
15	Bush	Change point - VIN begin JA027886, Change point - VIN end MA160601	Also serviced as part of a kit	FRC4499	2
16	Washer	Change point - VIN begin JA027886, Change point - VIN end MA160601	Also serviced as part of a kit, 8MM	WA108051L	1
17	Pin-split	Change point - VIN begin JA027886, Change point - VIN end MA160601	Also serviced as part of a kit	FRC8548	1
18	Lever-transfer box	Change point - VIN begin JA027886, Change point - VIN end JA027887 Change point - VIN begin JA027886, Change point - VIN end MA160601 Change point - VIN begin MA160602	Also serviced as part of a kit, bent Also serviced as part of a kit, Straight Also serviced as part of a kit, rubber mounted	FTC2471 FRC9674 FTC4735	1 1 1
19	Circlip	Change point - VIN begin JA027886, Change point - VIN end MA160601	Also serviced as part of a kit	CR120215	1
20	Bush-joint selector rod/yoke manual transmission	Change point - VIN begin JA027886, Change point - VIN end MA160601	Also serviced as part of a kit	FRC5076	1
21	Housing assembly-gear change cross shaft	Change point - VIN begin JA027886, Change point - VIN end MA160601	Also serviced as part of a kit	FRC8751	1
22	Plate-transfer box gearchange grommet retaining	Change point - VIN begin MA126154		FRC6873	1
23	Grommet	Change point - VIN begin MA126154		FRC6872	1
24	Screw		M6 X 16	SF106161L	2
25	Washer		M6, sprung	WL106001L	4
26	Spring-detent manual transmission			RTC1956	1
27	Plate-transfer box detent spring retaining			FRC6125	1
28	Washer		M5, Plain, Standard	WA105001L	2
29	Nut-hexagonal-nyloc		M5	NY105041L	2



Transfer Box
LT230
Gear Change 3/3

Discovery (FA393361-WA799999)

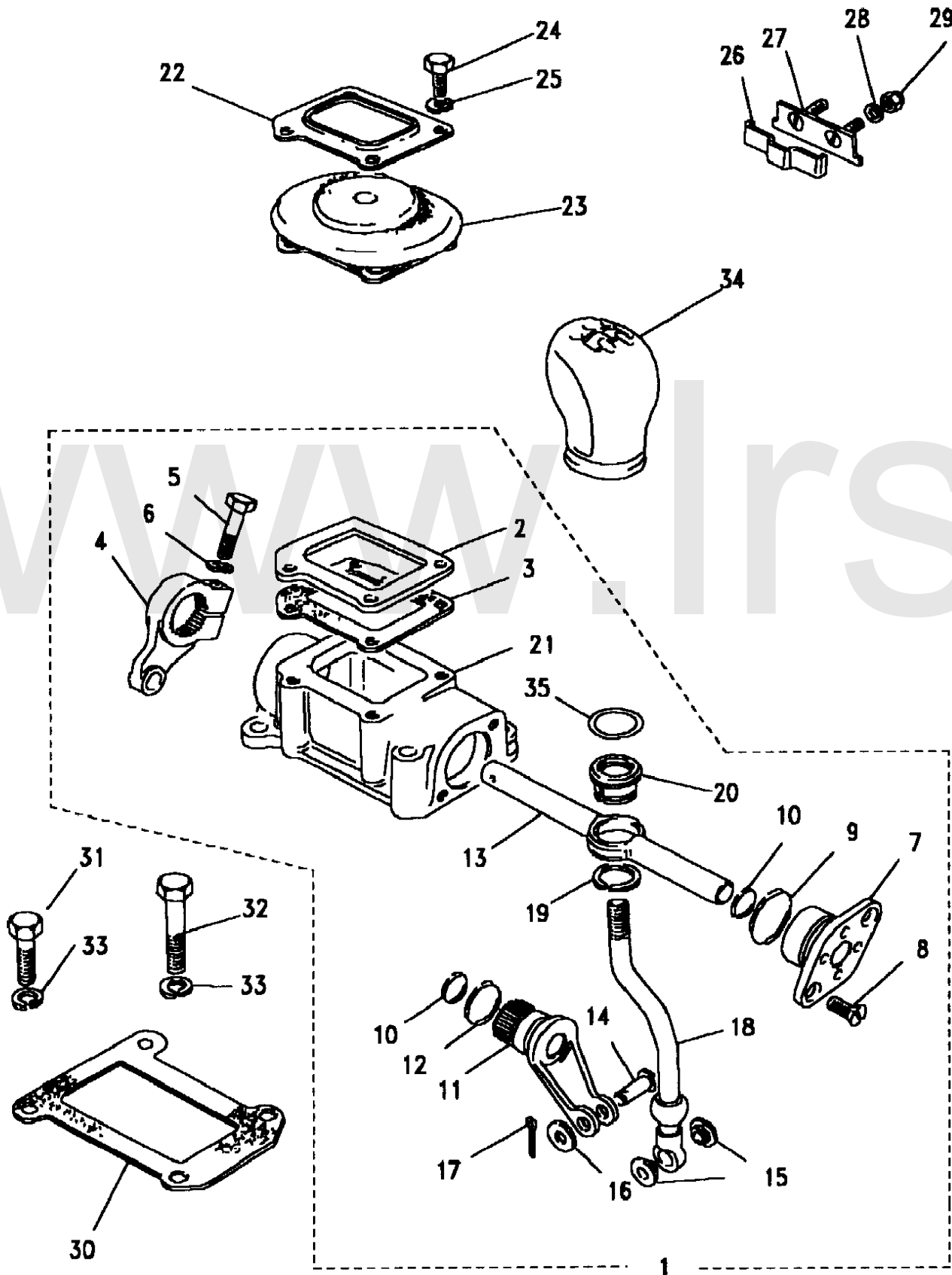
(CADBMA1A)

Discovery (FA393361-WA799999)

Transfer Box
LT230
Gear Change

Manual Transmission

Callout	Name	Application	Remarks & Restrictions	Service No.	Qty
30	Gasket-transfer box gear change housing plate	Change point - VIN end LA081991		FRC6306	1
		Change point - VIN begin MA081992, Change point - VIN end MA160601		FTC4036	1
31	Screw		M8 x 25, hexagonal head	SH108251L	2
32	Bolt		Flanged Head, M8 x 55	FB108111L	2
33	Washer		M8, sprung	WL108001L	4
34	Knob assembly-transfer box change	Change point - VIN begin MA126154, Change point - VIN end MA163103	Ash Grey	AWR2786LNF	1
		Change point - VIN begin TA163104	Ash Grey	AWR2983LNF	1
		Change point - VIN begin TA501920	Ash Grey	AWR2983LNF	1
		Change point - VIN end JA034313	Black Grey	AWR2983PMA	1
		Change point - VIN end MA163103	Grey	MXC5321LUN	1
		Change point - VIN begin KA034314, Change point - VIN end MA126153	Ash Grey	AWR2983LUN	1
				MXC5321LNF	1
35	O Ring	Change point - VIN begin MA160602	ANTI RATTLE	FRC5575	1
[900]	Sealant	Change point - VIN begin MA160602	silicone	RTC3254	1
[901]	Screw		Flanged Head, M6 x 25, patch lock	FS106251ML	X
			M8 x 25, hexagonal head	SH108257	2
[902]	Washer		8MM, sprung	WL108007	4

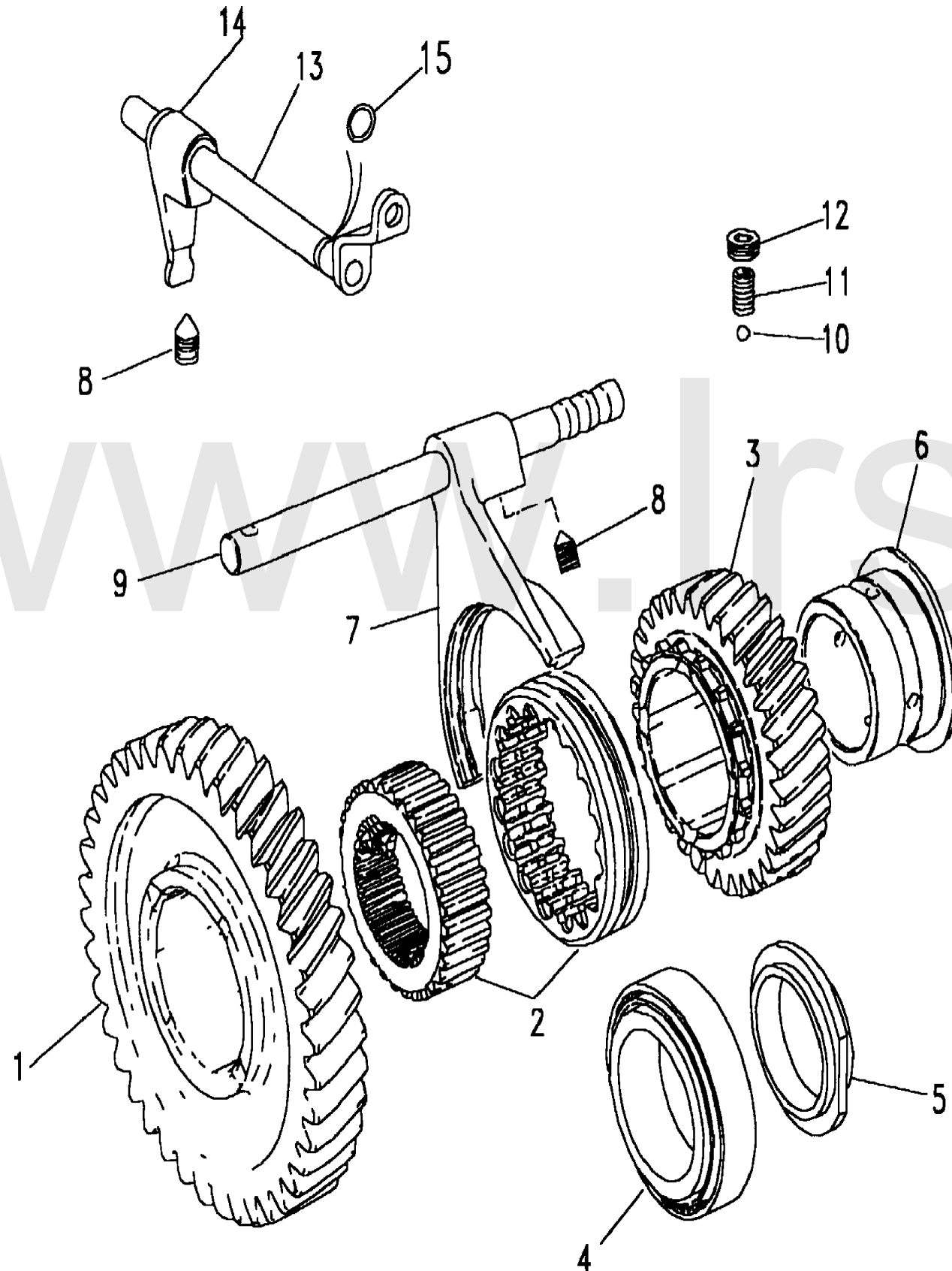


Transfer Box
LT230
High/Low Gear 1/2

Discovery (FA393361-WA799999)
(CADBKA1A)

Discovery (FA393361-WA799999)

Transfer Box
LT230
High/Low Gear



Callout	Name	Application	Remarks & Restrictions	Service No.	Qty
1	Gear-low output		Suffix C, Suffix D Suffix E, Suffix F, Suffix G	FRC7434 FTC1084	1 1
2	Hub & sleeve assembly- transfer box		Suffix C, Suffix D Suffix E, Suffix F, Suffix G	RTC4373 FTC382	1 1
3	Gear-high output		(-) MPI, Suffix C, Suffix D, 1.2 : 1 (-) MPI, Suffix E, 1.2 : 1 Change point - Transfer box end 308626E Change point - Transfer box begin 309143E, Change point - Transfer box end 551442F Change point - Transfer box begin 551443G MPI MPI	FRC9785 FTC1085 FTC4189 FTC4847 IEH500020 FRC7885 FTC1741	1 1 1 1 1 1 1 1
4	Bearing-taper roller			606474	1
5	Nut - Hex.			FRC7970	1
6	Bush		Change point - Transfer box end 551442F Change point - Transfer box end 551442F Change point - Transfer box begin 551443G Change point - Transfer box begin 551443G	FRC7441 IEE100050 FTC4955 IEE100050	1 1 1 1
7	Fork-high/low selector			FRC5458 FTC2859	1 1
8	Screw-Grub			FRC7018	1
9	Shaft-selector lever			FRC9513 FTC3627	1 1
10	Ball-detent manual transmission			571146	1
11	Spring-transfer box detent			FRC5562	1
12	Screw		M12 M12 x 10, patch lock	SU112101M SU112101S SU112101L	1 1 1
13	Shaft assembly-high/low selector			FRC8900	1

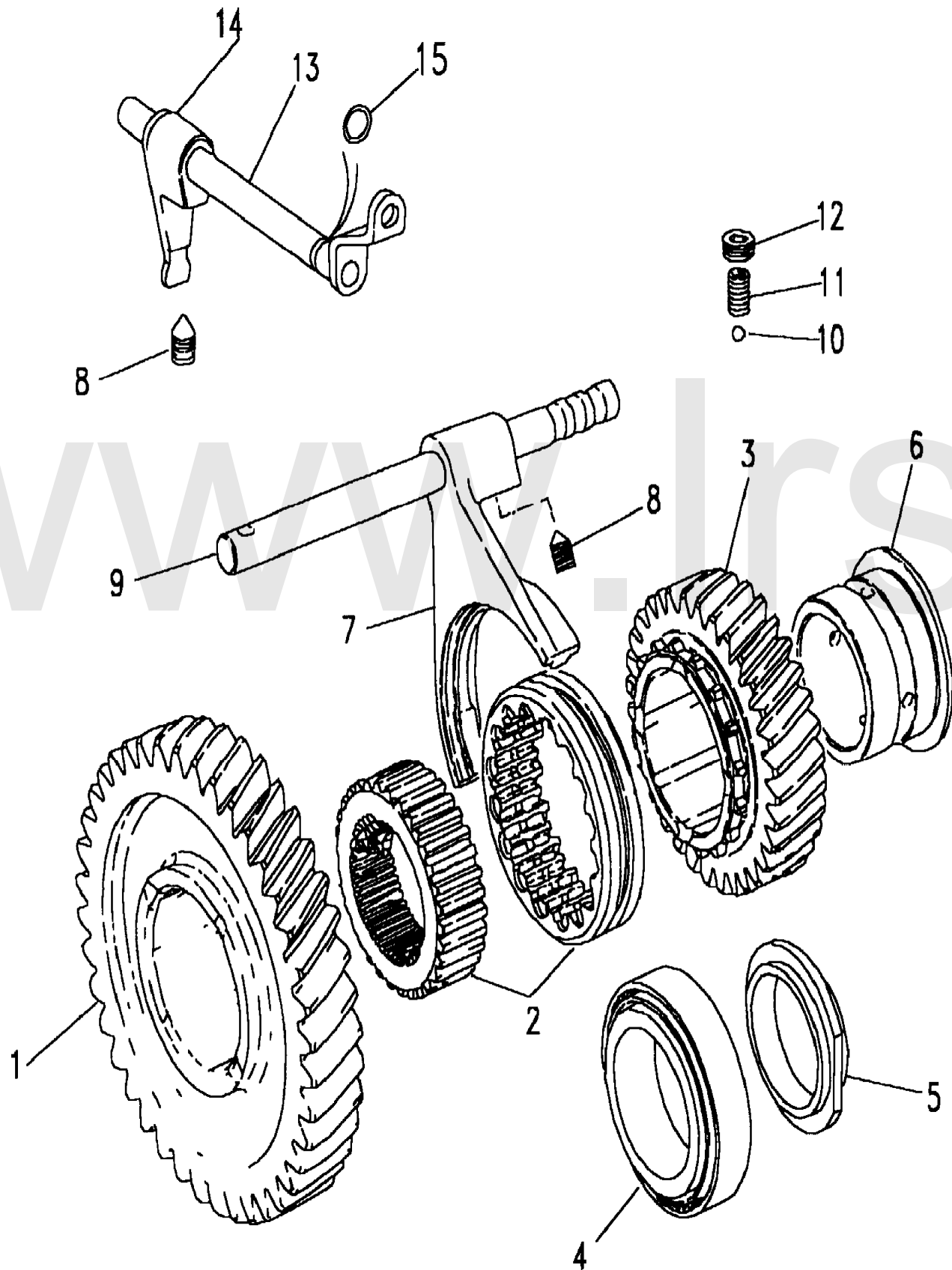
Transfer Box
LT230
High/Low Gear 2/2

Discovery (FA393361-WA799999)
(CADBKA1A)

Discovery (FA393361-WA799999)

Transfer Box
LT230
High/Low Gear

Callout	Name	Application	Remarks & Restrictions	Service No.	Qty
14	Finger assembly-transfer box high/low selector			FRC7929	1
15	O Ring			FRC5575	2



Transfer Box
LT230
Housing Automatic 1/1

Discovery (FA393361-WA799999)

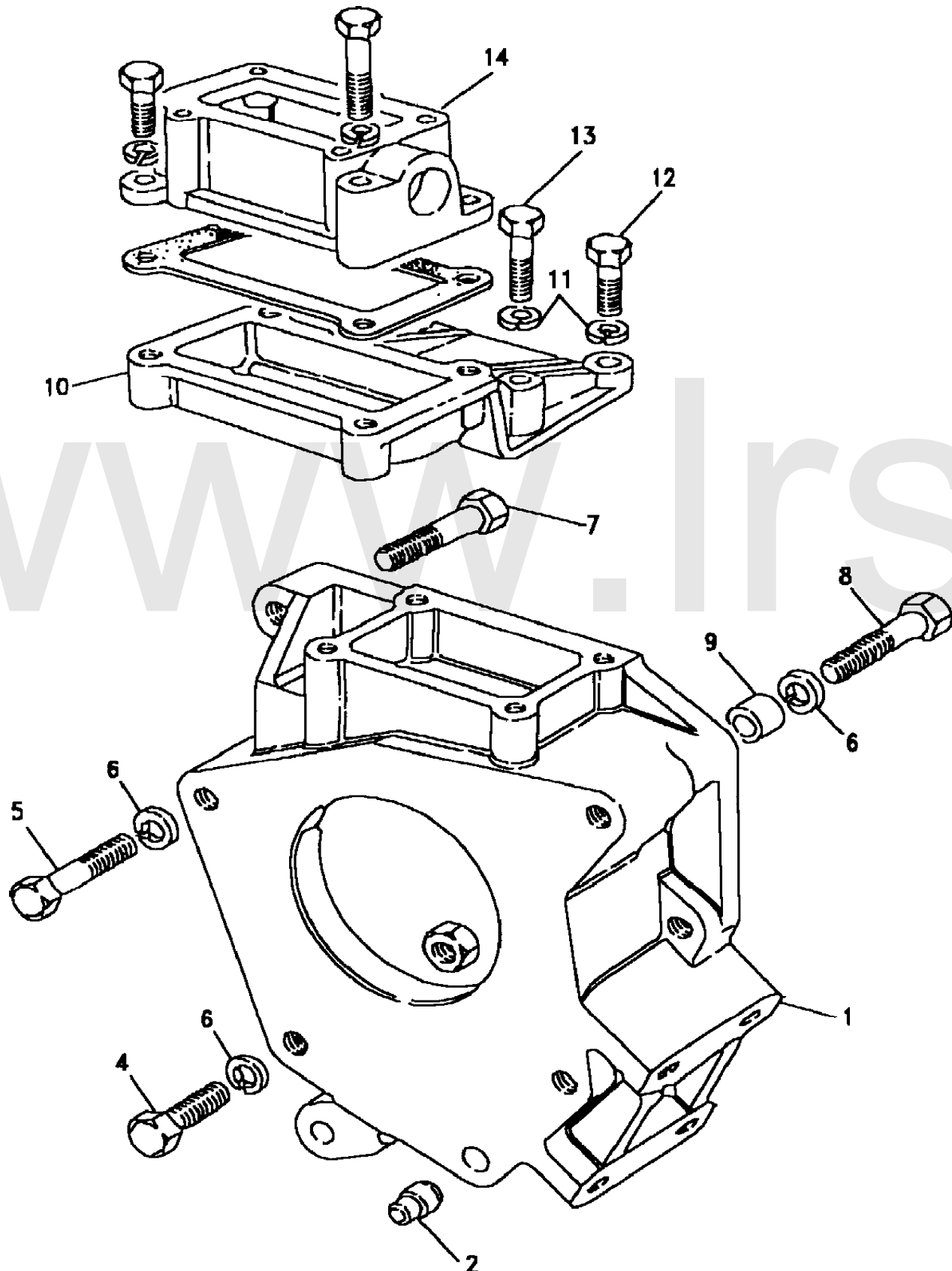
(CADBCA2A)

Discovery (FA393361-WA799999)

Transfer Box
LT230
Housing Automatic

Automatic Transmission

Callout	Name	Application	Remarks & Restrictions	Service No.	Qty
1	Housing-governor extension	V8 4 Cyl TDi		RTC4659 STC1578	1 1
2	Dowel		For Extension Housing Refer To Gearbox; ZF Auto	571134	1
3	Nut - Hex.		M10, hexagonal head, Coarse Thread	NH110041L	2
4	Screw			FRC5053	1
5	Screw		hexagonal head, M10 x 40	SH110401L	3
6	Washer		M10	WL110001L	12
7	Bolt		Pre-impregnated With Adhesive, Flanged Head, M10 x 40	FB110081ML	2
8	Bolt		Pre-impregnated With Adhesive, Flanged Head, M10 X 45	FB110091ML	1
9	Dowel-ring		15.0mm	FRC2482	1
10	Housing-manual transmission gearchange			FRC8558	1
11	Washer		M8, sprung	WL108001L	4
12	Screw		M8 x 25, hexagonal head M8 x 25, Flanged Head	SH108251L FS108251L	2 2
13	Bolt		Flanged Head, M8 x 55	FB108111L	2
14	Housing assembly-gear change cross shaft			FRC8751	1
[900]	Screw		M8 x 25, hexagonal head	SH108257	2
[901]	Washer		8MM, sprung	WL108007	4
[902]	Gasket-transfer box gear change housing plate			FRC6306 FTC4036	1 1
[903]	Switch-transfer box audible warning	(+)"J"		AMR3046	X
[904]	Washer-sealing	(+)"J"		ALU1403L	X
[905]	Plug-Drain			FTC5208	1



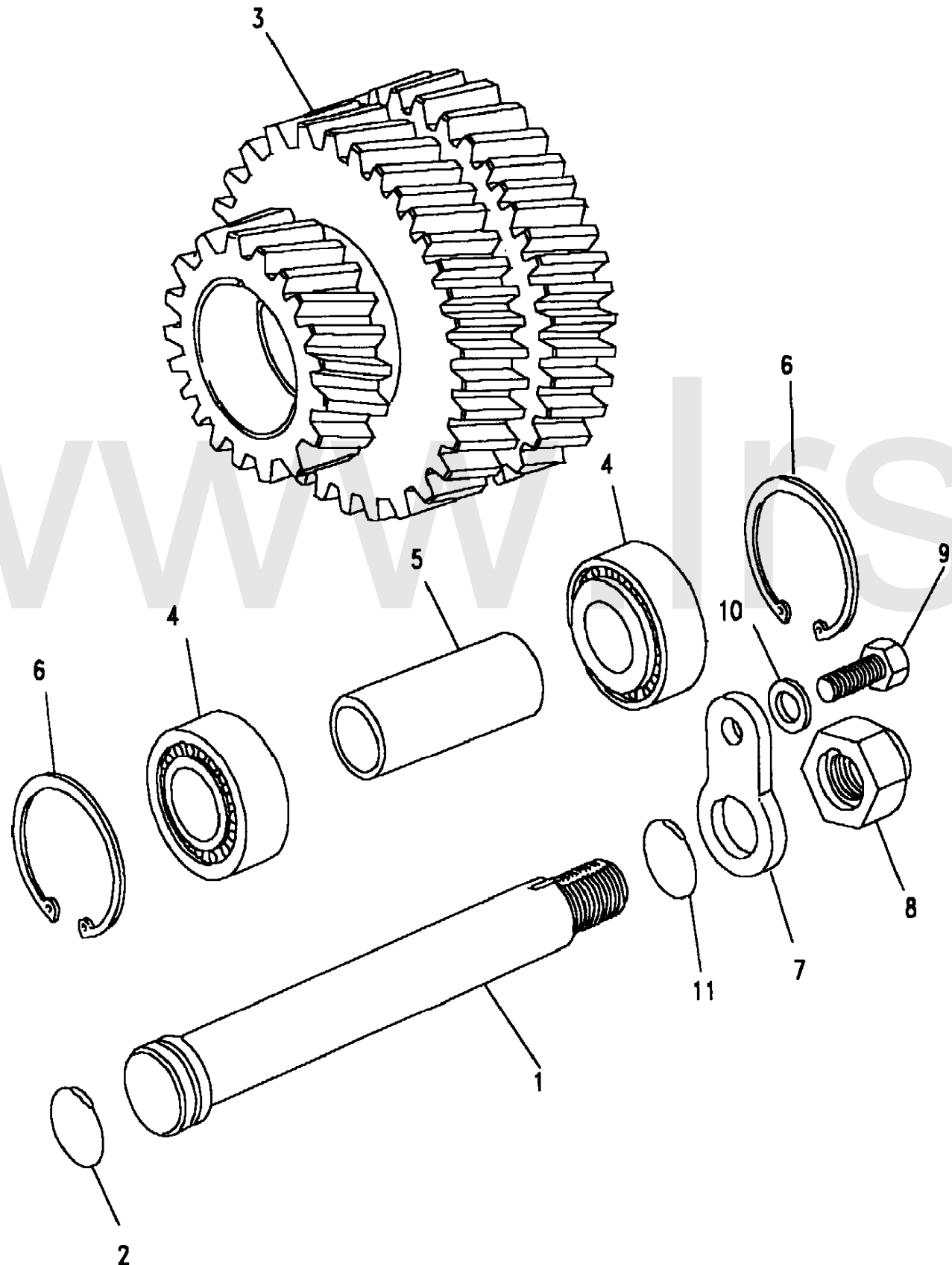
Transfer Box
LT230
Intermediate Shaft 1/1

Discovery (FA393361-WA799999)
(CADBIA2A)

Discovery (FA393361-WA799999)

Transfer Box
LT230
Intermediate Shaft

Callout	Name	Application	Remarks & Restrictions	Service No.	Qty
1	Shaft-transfer box-intermediate			FRC8291	1
2	O Ring			FRC8292	1
3	Gear-intermediate shaft	Change point - Transfer box end 308626E	(-) MPI, 1.2 : 1	FRC9552	1
		Change point - Transfer box begin 309143E, Change point - Transfer box end 551442F	(-) MPI, 1.2 : 1	FTC4190	1
		Change point - Transfer box begin 551443G	(-) MPI, 1.2 : 1	FTC4846	1
		MPI	(-) MPI, 1.2 : 1 1.4 : 1	IEH000081 FRC9460	1 1
4	Bearing intermediate shaft assembly			FRC7810	2
				STC3185	2
5	Spacer			FRC7437	1
6	Circlip			FRC7454	2
7	Plate-transfer box anti rotation			FRC7452	1
8	Locknut			FRC7453	1
9	Screw		M8 x 25, Flanged Head	FS108251ML	1
10	Washer		8MM	WA108051L	1
11	O Ring			FRC7439	1



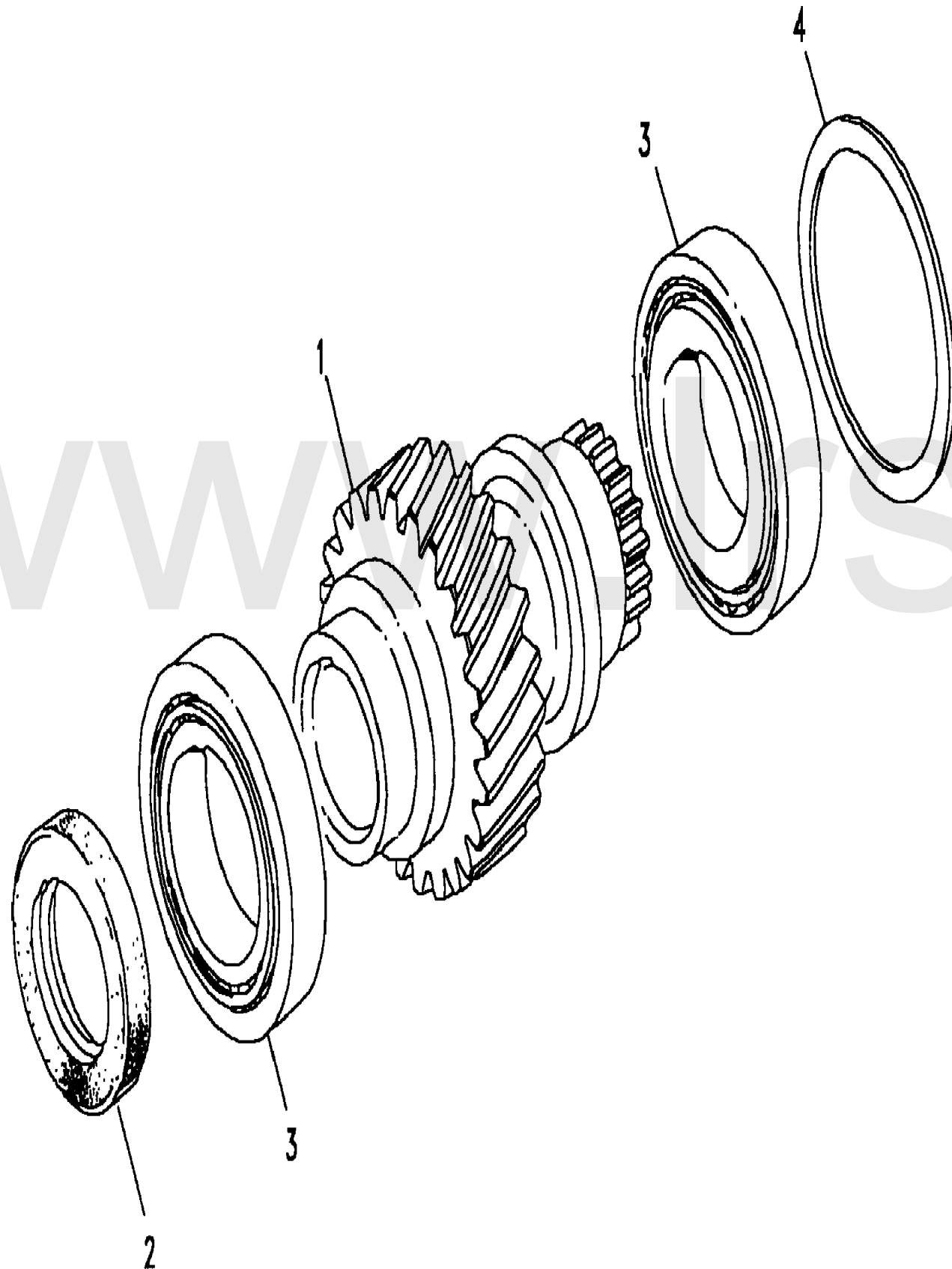
Transfer Box
LT230
Mainshaft Gear 1/1

Discovery (FA393361-WA799999)
(CADBIA1A)

Discovery (FA393361-WA799999)

Transfer Box
LT230
Mainshaft Gear

Callout	Name	Application	Remarks & Restrictions	Service No.	Qty		
1	Gear-mainshaft	Change point - Transfer box end 551442F	(-) MPI, 26 teeth	FRC8917	1		
		Change point - VIN end LA081991	(-) MPI, 26 teeth	FRC8917	1		
			1.4 : 1, 26 teeth	FTC5089	1		
		Change point - Transfer box end 551442F	1.4 : 1, 26 teeth	FTC5089	1		
		Change point - Transfer box end 551442F	28 teeth	FTC4188	1		
		Change point - VIN begin MA081992, Change point - VIN end MA149447	28 teeth	FTC4188	1		
		Change point - Transfer box end 551442F	28 teeth	FTC4818	1		
		Change point - VIN begin MA149448, Change point - VIN end TA178213	28 teeth	FTC4818	1		
		Change point - VIN begin TA500000, Change point - VIN end TA509009	28 teeth	FTC4818	1		
		Change point - VIN begin TA178214	28 teeth	FTC5087	1		
		Change point - VIN begin TA509010	28 teeth	FTC5087	1		
		Change point - Transfer box begin 551443G	1.2 : 1, 38 teeth	FTC4850	1		
		Change point - Transfer box begin 551443G, MPi	1.4 : 1, 26 teeth	FTC4962	1		
		2	Seal		transfer box input	FRC2365	1
					transfer box input	ICV100000	1
		3	Mainshaft bearing			FRC5564	2
4	Shim		3.15MM	FRC9926	X		
			3.20MM	FRC9928	X		
			3.25MM	FRC9930	X		
			3.30MM	FRC9932	X		
			3.35MM	FRC9934	X		
			3.40MM	FRC9936	X		
			3.45MM	FRC9938	X		
			3.50MM	FRC9940	X		
			3.55MM	FRC9942	X		
			3.6MM	FRC9944	X		
			3.65MM	FRC9946	X		
			3.70MM	FRC9948	X		
			3.75MM	FRC9950	X		
			3.80MM	FRC9952	X		
			3.85MM	FRC9954	X		
			3.90MM	FRC9956	X		
	3.95MM	FRC9958	X				
	4.00mm	FRC9960	X				

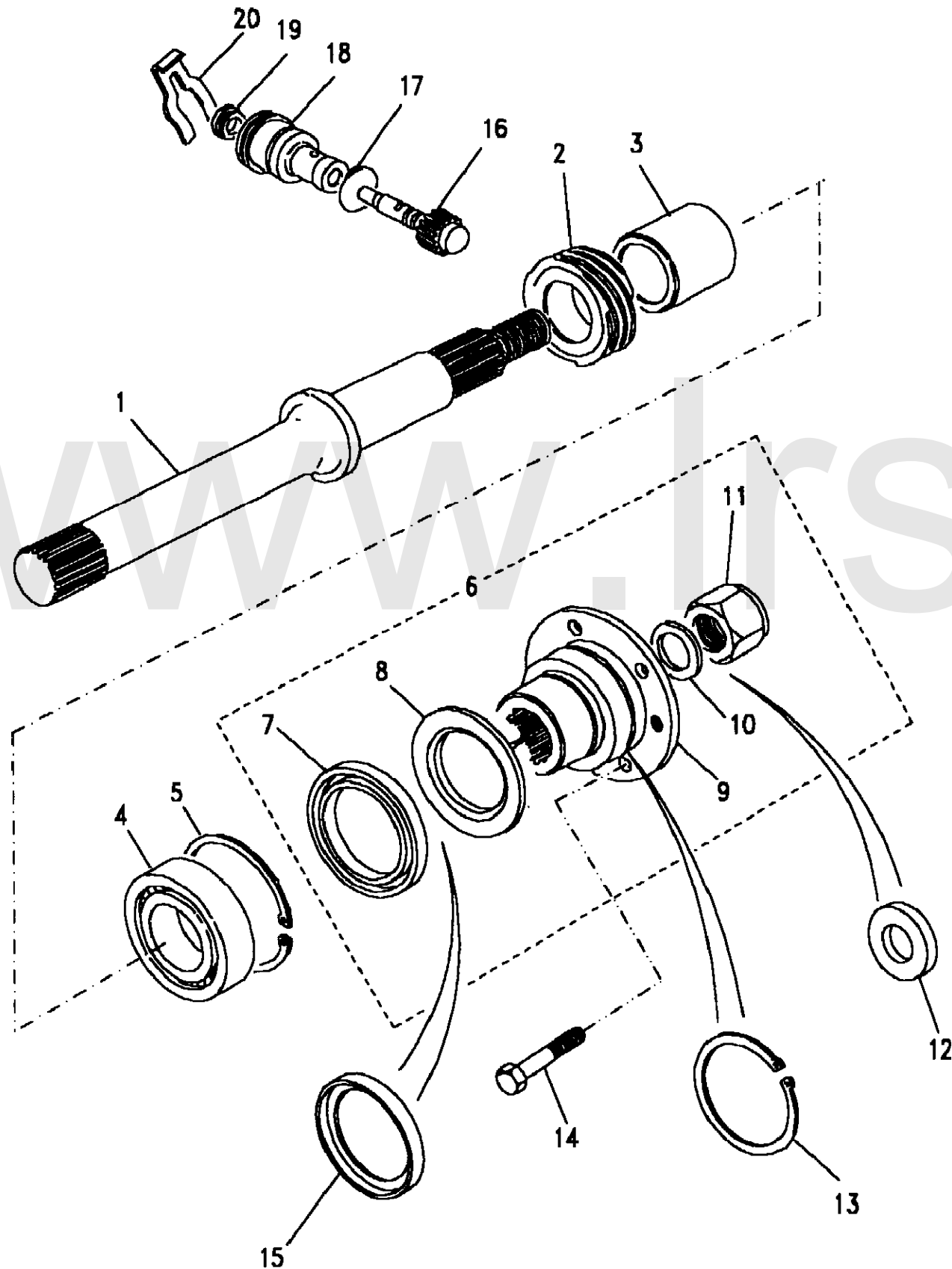


Transfer Box
LT230
Rear Flange 1/2

Discovery (FA393361-WA799999)
(CADBIA5A)

Discovery (FA393361-WA799999)

Transfer Box
LT230
Rear Flange



Callout	Name	Application	Remarks & Restrictions	Service No.	Qty
1	Shaft assembly-rear output			FRC5450	1
2	Gear-speedometer drive			FRC3162	1
3	Spacer			FRC5446	1
4	Bearing-ball			STC1130	1
5	Circlip		Large	216962	1
6	Kit-flange		Also serviced as part of a kit, Rear	STC3433	1
7	Seal-transfer box output	Change point - Transfer box begin 28D526135F Change point - Transfer box begin 34D526135F Change point - Transfer box begin 28D000001A, Change point - Transfer box end 28D526134F Change point - Transfer box begin 34D000001A, Change point - Transfer box end 34D526134F	Also serviced as part of a kit	FTC4939 FTC4939 FRC7043	1 1 1
8	Mudshield-transfer box oil seal	Change point - Transfer box begin 28D526135F Change point - Transfer box begin 34D526135F	Also serviced as part of a kit	FTC4941 FTC4941	1 1
9	Flange assembly-rear output	Change point - Transfer box begin 28D000001A, Change point - Transfer box end 28D526134F Change point - Transfer box begin 34D000001A, Change point - Transfer box end 34D526134F	Also serviced as part of a kit	FTC4942 FRC5438 FRC5438	1 1 1
10	Washer		Also serviced as part of a kit	FRC2464	1
11	Nut-hexagonal-nyloc		Also serviced as part of a kit, M20	NY120041L	1
12	Washer			571468	1
13	Circlip			571682	1
14	Bolt		3/8UNF x 1 3/4	FRC3602	1
15	Mudshield-transfer box oil seal	Change point - Transfer box begin 28D000001A, Change point - Transfer box end 28D526134F	Rear	571970	1

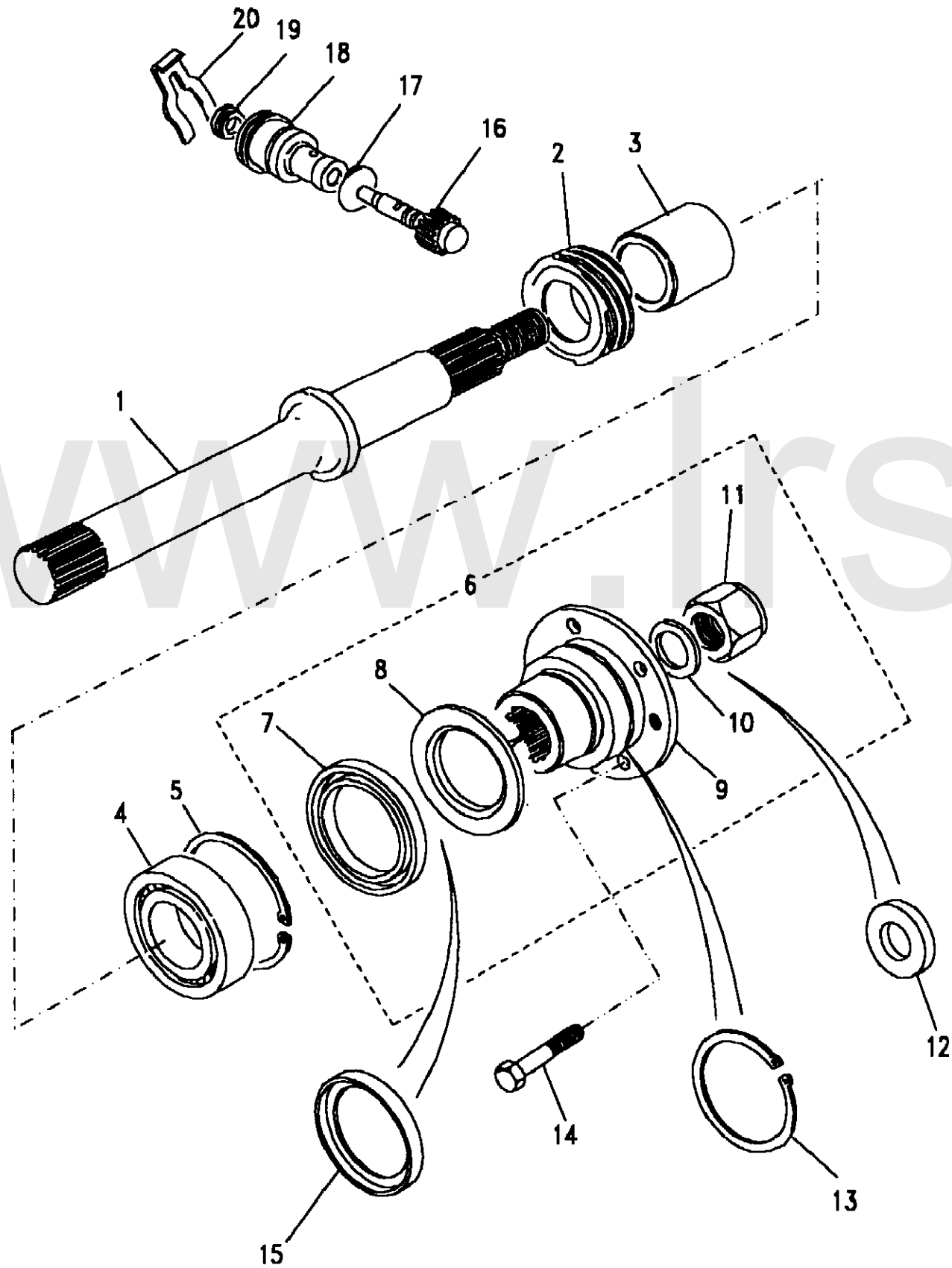
Transfer Box
LT230
Rear Flange 2/2

Discovery (FA393361-WA799999)
(CADBIA5A)

Discovery (FA393361-WA799999)

Transfer Box
LT230
Rear Flange

Callout	Name	Application	Remarks & Restrictions	Service No.	Qty
15	Mudshield-transfer box oil seal	Change point - Transfer box begin 34D000001A, Change point - Transfer box end 34D526134F	Rear	571970	1
16	Gear-speedometer drive	With Diesel Engines, (-)"GCC" Twin Carburettor EFI TDi Diesel, Automatic Transmission, (+)"GCC"	20 Teeth, Blue. 20 Teeth, Blue. 23 Teeth 23 Teeth	FRC3310 FRC3310 FRC9339 FRC9339	1 1 1 1
17	O Ring			571665	1
18	Housing-spindle			FRC3286	1
19	Seal-oil speedometer pinion			AAU2304	1
20	Plate-oil seal retainer			533765	1



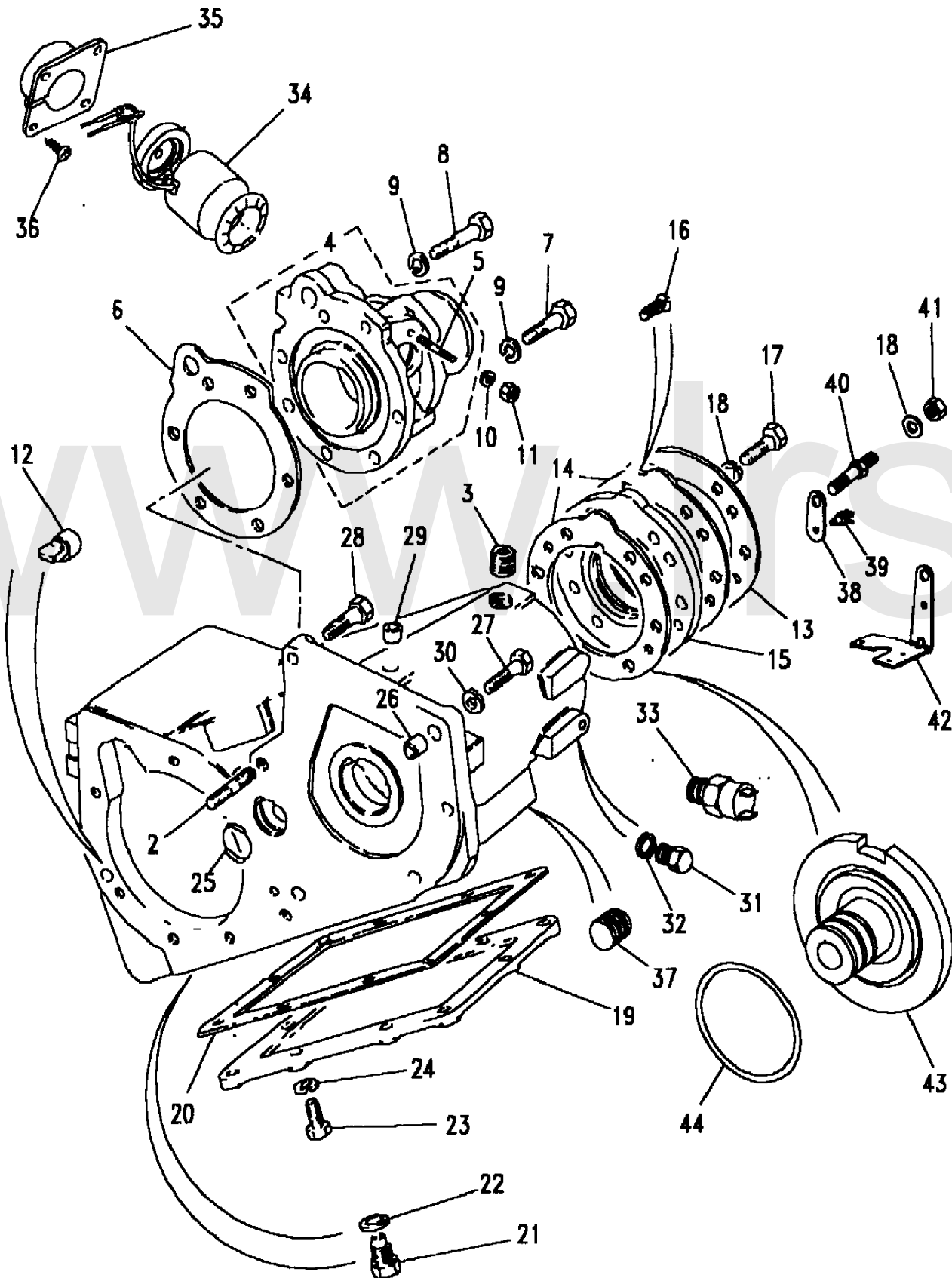
Transfer Box
LT230
Speedo Housing 1/4

Discovery (FA393361-WA799999)

(CADBEA1B)

Discovery (FA393361-WA799999)

Transfer Box
LT230
Speedo Housing

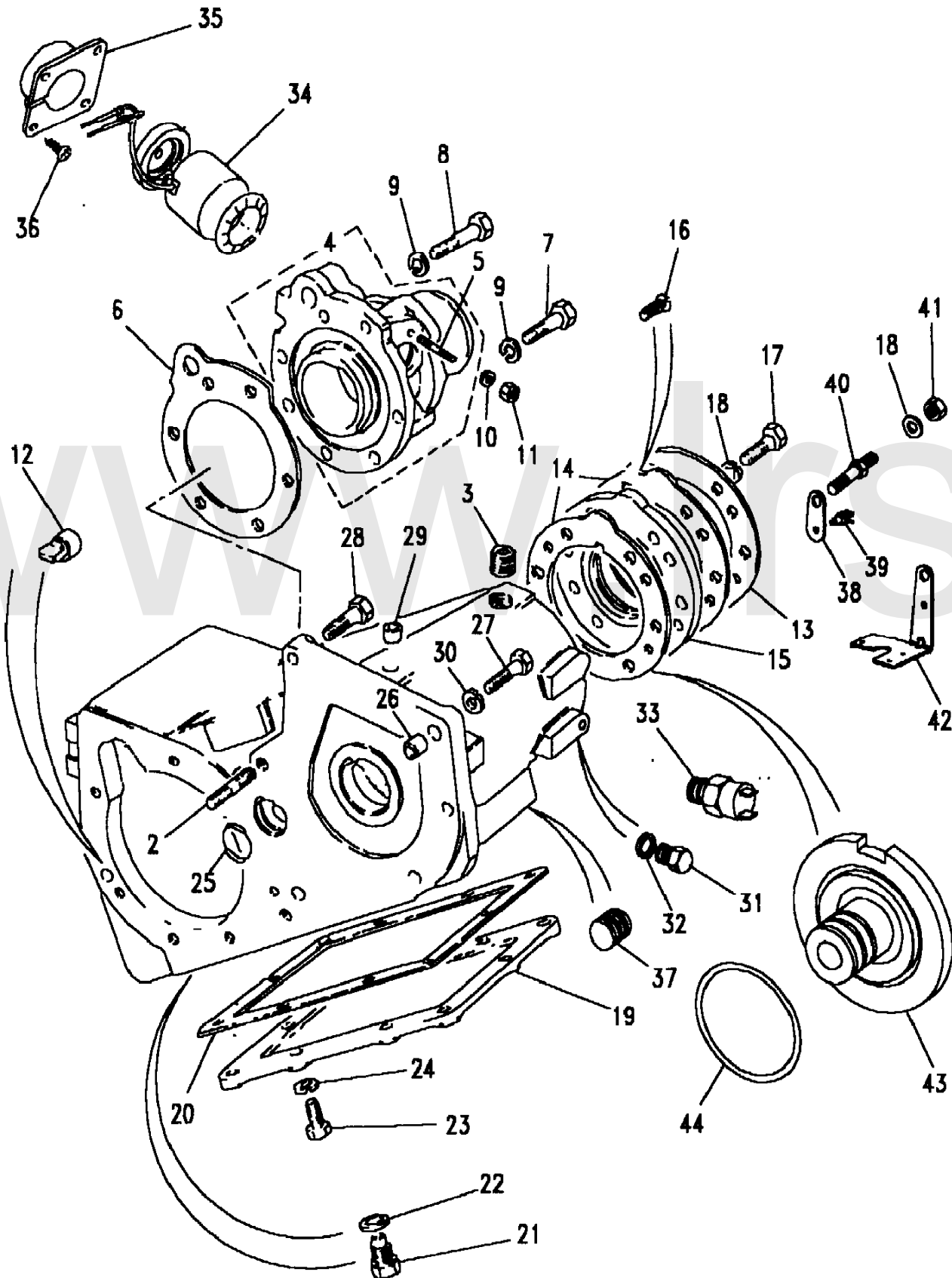


Callout	Name	Application	Remarks & Restrictions	Service No.	Qty		
1	Casing-transfer box	Change point - Transfer box end 551442F, Manual Transmission, (+)"GB"	Also serviced as part of a kit	FTC1748	1		
		Change point - Transfer box end 551442F, Manual Transmission, (+)"J"	Also serviced as part of a kit	FTC1748	1		
		Change point - Transfer box end 551442F, Manual Transmission, (-)"GB"	Also serviced as part of a kit	FTC1748	1		
		Change point - Transfer box end 551442F, Automatic Transmission, (+)"GB"	Also serviced as part of a kit	FTC1748	1		
		Change point - Transfer box end 551442F, Automatic Transmission, (-)"GB"	Also serviced as part of a kit	FTC1748	1		
		Change point - Transfer box begin 551443G, Manual Transmission, (-)"GB"	Also serviced as part of a kit	FTC4849	1		
		Change point - Transfer box begin 551443G, Manual Transmission, (+)"GB"	Also serviced as part of a kit	FTC4849	1		
		Change point - Transfer box begin 551443G, Automatic Transmission, (+)"J"	Also serviced as part of a kit	FTC4849	1		
		Change point - Transfer box begin 551443G, Automatic Transmission, (-)"GB"	Also serviced as part of a kit	FTC4849	1		
		Change point - Transfer box begin 551443G, Automatic Transmission, (+)"GB"	Also serviced as part of a kit	FTC4849	1		
		Change point - Transfer box end 551442F, Automatic Transmission, (+)"J", With Interlock	Also serviced as part of a kit	FTC2828	1		
		Change point - Transfer box begin 551443G, Automatic Transmission, (+)"J", With Interlock	Also serviced as part of a kit	FTC4848	1		
		2	Stud-bolt	Change point - Transfer box end 551442F, Manual Transmission, (+)"J"	Also serviced as part of a kit	FRC5595	2
				Change point - Transfer box end 551442F, Manual Transmission, (+)"GB"	Also serviced as part of a kit	FRC5595	2
				Change point - Transfer box end 551442F, Manual Transmission, (-)"GB"	Also serviced as part of a kit	FRC5595	2
		3	Plug-drain/filler level			608246	2
4	Housing-speedometer driven gear	Change point - Axle end 28D283204E	Also serviced as part of a kit	FRC7449	1		
		Change point - Axle begin 28D283205E	Also serviced as part of a kit	FTC4186	1		
			Also serviced as part of a kit	FTC4185	1		

Transfer Box
LT230
Speedo Housing 2/4

Discovery (FA393361-WA799999)

(CADBEA1B)



Discovery (FA393361-WA799999)

Transfer Box
LT230
Speedo Housing

Callout	Name	Application	Remarks & Restrictions	Service No.	Qty
4	Housing-speedometer driven gear		Also serviced as part of a kit	STC3406	1
5	Stud	Change point - Axle end 28D283204E	Also serviced as part of a kit	571536	1
6	Gasket-transfer box speedometer housing	Change point - Axle end 28D283204E		FRC5409	1
7	Screw		Less Alternatives, hexagonal head, M10 x 30 Less Alternatives, Flanged Head, M10 x 30, top Less Alternatives, M10 x 30	SH110301L FS110301L FS110301ML	5 5 5
8	Bolt		Less Alternatives, M10 X 45 Less Alternatives, Flanged Head, M10 X 45	BH110091L FB110091ML	1 1
9	Washer		M10	WA110061L	6
10	Washer		6MM	WA106041L	1
11	Nut - Hex.		M6, hexagonal head, nyloc M6, hexagonal head, nyloc	NY106041L NY106047L	1 1
12	Dowel			FRC5594	1
13	Cover-transfer box power take off	Manual Transmission Automatic Transmission		FTC2061 FTC3178	1 1
14	Gasket-transfer box power take off cover			FRC5413	2
15	Housing-bearing shaft	Change point - Transfer box end 551442F Change point - Transfer box begin 551443G		FRC6943 FTC4866	1 1
16	Screw		M8 x 25	SF108251L	2
17	Bolt		M10 x 35 hexagonal head, M10 x 35	BH110071L BX110071L	6 6
18	Washer		M10	WA110061L	6
19	Cover-transfer box			FRC5415	1
20	Gasket-transfer box bottom cover			FRC5416	1
21	Plug-Drain			599552	1
22	Washer-sealing		transfer box drain plug	FRC4808	1
23	Bolt	Change point - VIN end LA081991		BH108061L	10

Transfer Box
LT230
Speedo Housing 3/4

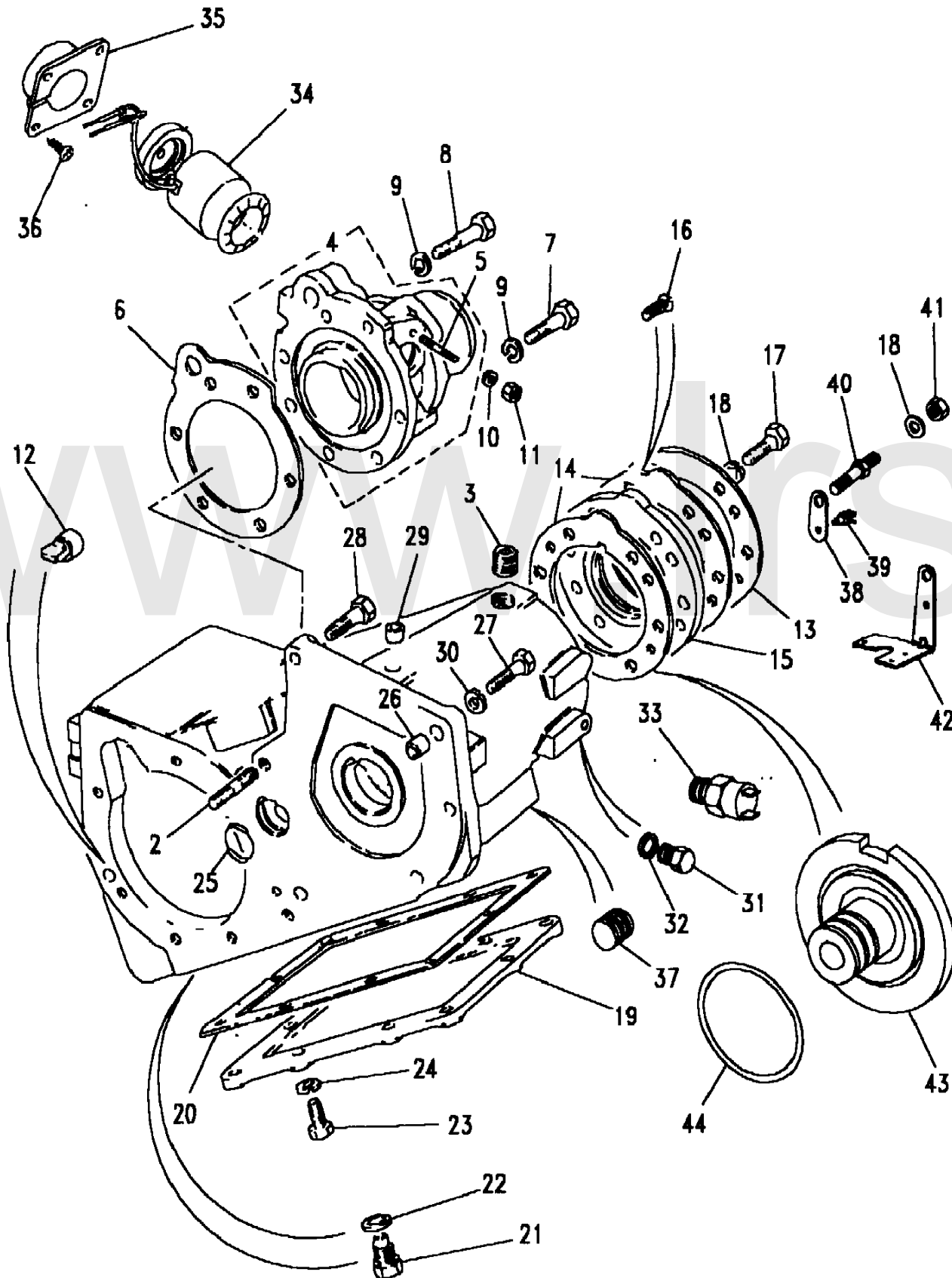
Discovery (FA393361-WA799999)

(CADBEA1B)

Discovery (FA393361-WA799999)

Transfer Box
LT230
Speedo Housing

Callout	Name	Application	Remarks & Restrictions	Service No.	Qty
23	Bolt	Change point - VIN begin MA081992	M8 X 30, Flanged Head	FB108061	10
		Change point - VIN begin MA081992	M8 X 30, Flanged Head	FS108301L	10
		Change point - VIN begin MA081992	M8 X 30, Flanged Head	FS108307L	10
24	Washer		8MM	WA108051L	10
25	O Ring	Change point - VIN end LA081991		FRC8292	1
		Change point - VIN begin MA081992		571665	1
26	Dowel-ring		15.0mm	FRC2482	1
27	Bolt		M10 X 45	BH110091L	1
28	Bolt		Less Alternatives, hexagonal head, M10 x 40	BH110081L	3
29	Plug-core		6MM	UKC24L	1
30	Washer		M10	WL110001L	1
31	Plug	Change point - VIN end LA081991	Less Alternatives	602146 SH214141	1 1
32	Washer-sealing	Change point - VIN end LA081991	Less Alternatives	232042	1
33	Switch-transfer box temperature sensor	Change point - VIN begin MA081992	Less Alternatives	PRC7984	1
34	Solenoid-gear change lock	Change point - VIN begin MA081992, (+)"J"		FTC3283	1
35	Cover-interlock solenoid	Change point - VIN begin MA081992, (+)"J"		FTC2829	1
36	Screw-flanged head	Change point - VIN begin MA081992, (+)"J"	M6 X 20, Flanged Head, patch lock	FS106201M	4
37	Plug-drain/filler level			608246	1
38	Bracket-transmission retaining			ANR3625	1
39	Clip		Pipe, Single	PRC3180	1
40	Stud	Less Alternatives, lifting bracket		FTC890	1
		heatshield attachment		FTC1919	1
41	Nut - Hex.	Less Alternatives, M10, hexagonal head, Coarse Thread		NH110041L	1
		M10, flange		FN110041L	1
		M10, flange		FN110047	1

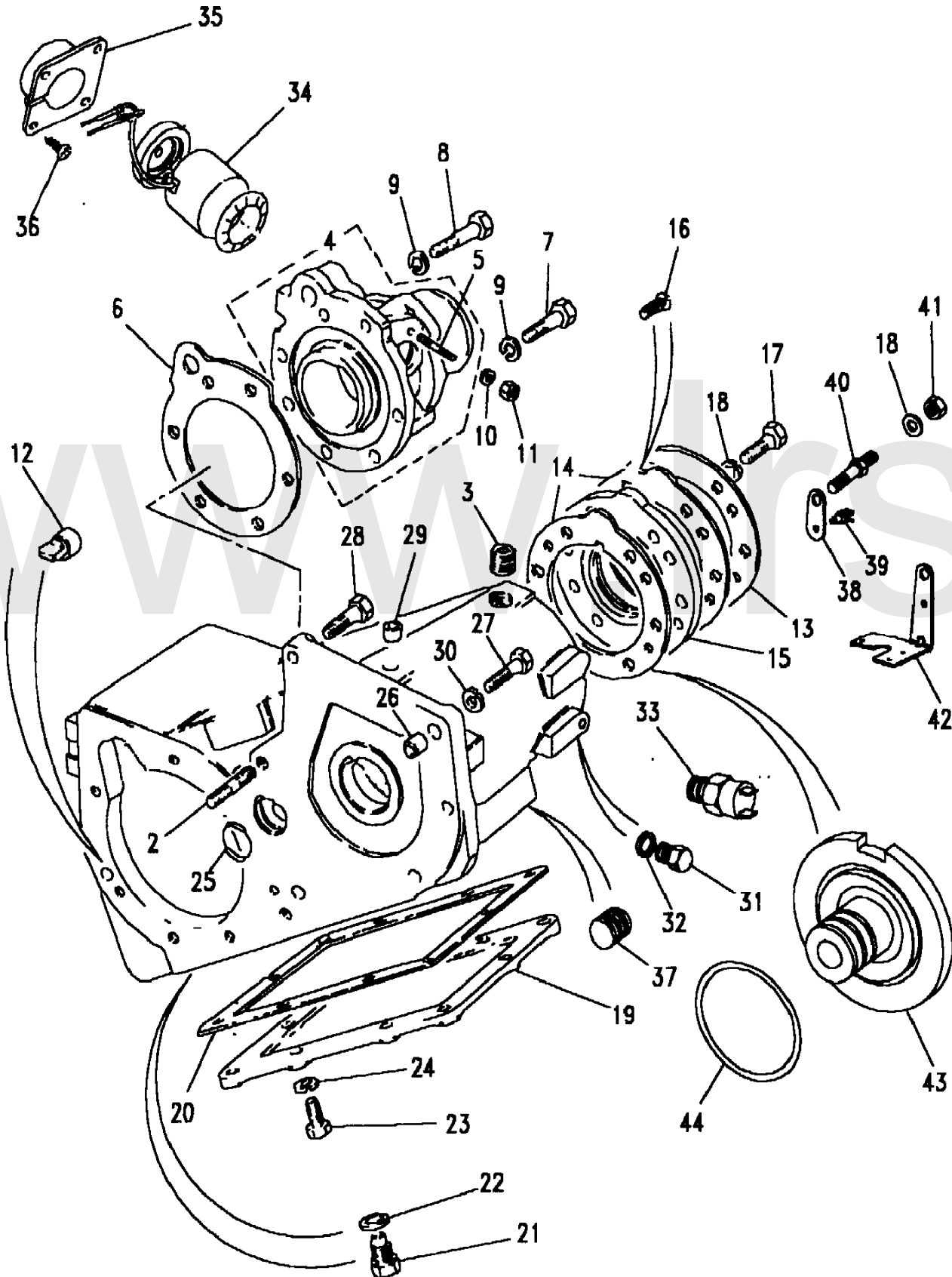


Transfer Box
LT230
Speedo Housing 4/4

Discovery (FA393361-WA799999)
(CADBEA1B)

Discovery (FA393361-WA799999)

Transfer Box
LT230
Speedo Housing



Callout	Name	Application	Remarks & Restrictions	Service No.	Qty
42	Bracket-transmission retaining			ANR3625	1
43	Plate-oil guide transmission case	Change point - Transfer box begin 445132E, Change point - Transfer box end 461123E		FTC4993	1
44	O Ring	Change point - Transfer box begin 445132E, Change point - Transfer box end 461123E		FTC4994	1
[900]	Sealant	Change point - Axle begin 28D283205E	silicone	RTC3254	1
[901]	Heatshield-bracket			ANR3227	1
[902]	Kit-plate & seal-oil guide			STC3615K	1

www.russervice.ru

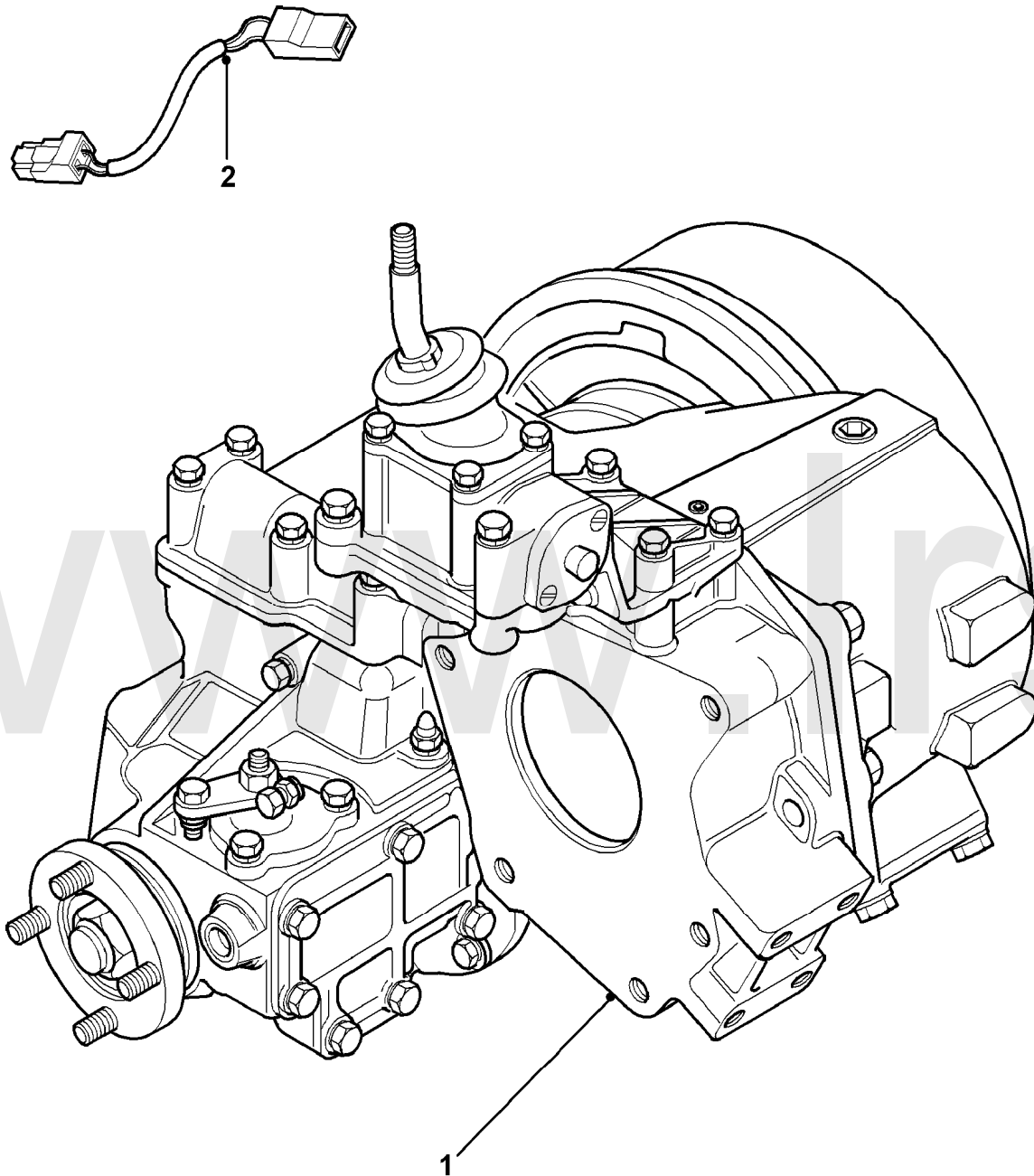
Transfer Box

Discovery (FA393361-WA799999)

LT230

Transfer Assembly 1/2

(CADBAA1B)



P01.075

08-2002

L4

CADBAA1B

Discovery (FA393361-WA799999)

Transfer Box

LT230

Transfer Assembly

Callout	Name	Application	Remarks & Restrictions	Service No.	Qty
1	Transfer Box	4 Cyl TDi Diesel, Manual Transmission	Suffix C, New, 1.2 : 1	FRC9467N	1
		V8 Twin Carb Petrol, Manual Transmission	Suffix C, New, 1.2 : 1	FRC9467N	1
		V8 Twin Carb Petrol, Manual Transmission	Suffix D, New, 1.2 : 1	STC1010N	1
		EFI, Manual Transmission	Suffix D, New, 1.2 : 1	STC1010N	1
		4 Cyl TDi Diesel, Manual Transmission	Suffix D, New, 1.2 : 1	STC1010N	1
		Change point - Transfer box end 308626E, 4 Cyl TDi Diesel, Automatic Transmission	Suffix E, New, 1.2 : 1	STC1475	1
		Change point - Transfer box end 308626E, EFI, Automatic Transmission	Suffix E, New, 1.2 : 1	STC1596	1
		Change point - Transfer box end 308626E, 4 Cyl MPi Petrol, Manual Transmission	Suffix E, New	STC1811	1
		Change point - Transfer box begin 309143E, EFI, Manual Transmission	Suffix E, New, 1.2 : 1	STC1144	1
		Change point - Transfer box begin 309143E, TDi Diesel, Manual Transmission	Suffix E, New, 1.2 : 1	STC1143	1
		Change point - Transfer box begin 309143E, EFI, Automatic Transmission, (-)"J"	Suffix E, New, 1.2 : 1	STC1108	1
		Change point - Transfer box begin 309143E, TDi Diesel, Automatic Transmission, (-)"GB"	Suffix E, New, 1.2 : 1	STC1794	1
		Change point - Transfer box begin 309143E, EFI, Automatic Transmission, (+)"J"	Suffix E, New, 1.2 : 1	STC1072	1
		Change point - Transfer box begin 309143E, TDi Diesel, Automatic Transmission, (+)"J"	Suffix E, New, 1.2 : 1	STC1830	1
		4 Cyl MPi Petrol, Manual Transmission	Suffix F, New	STC1811	1
		EFI, Manual Transmission	Suffix F, New, 1.2 : 1	STC1144	1
		TDi Diesel, Manual Transmission	Suffix F, New, 1.2 : 1	STC1143	1
		EFI, Automatic Transmission, (-)"J"	Suffix F, New, 1.2 : 1	STC1108	1
		TDi Diesel, Automatic Transmission, (-)"GB"	Suffix F, New, 1.2 : 1	STC1794	1
		EFI, Automatic Transmission, (+)"J"	Suffix F, New, 1.2 : 1	STC1072	1
		TDi Diesel, Automatic Transmission, (+)"J"	Suffix F, New, 1.2 : 1	STC1830	1
		Change point - Transfer box begin 551443G, EFI, Manual Transmission	Suffix G, New, 1.2 : 1	STC3608	1
		EFI, Manual Transmission	Suffix G, New, 1.2 : 1	IAB100020	1
		Change point - Transfer box begin 551443G, TDi, Manual Transmission	Suffix G, New, 1.2 : 1	STC3608	1

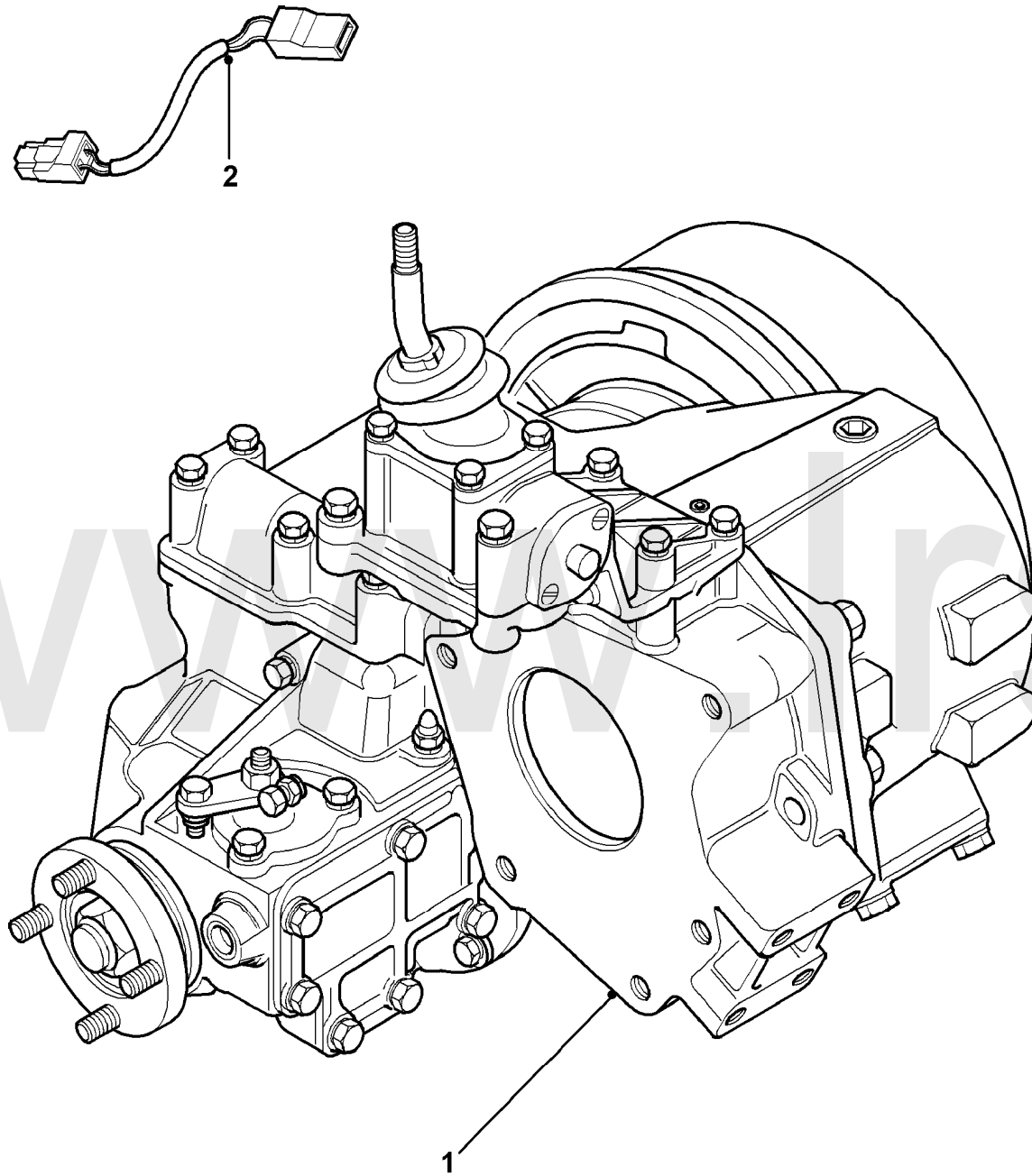
Transfer Box

Discovery (FA393361-WA799999)

LT230

Transfer Assembly 2/2

(CADBAA1B)



P01.075

08-2002

L4

CADBAA1B

Discovery (FA393361-WA799999)

Transfer Box

LT230

Transfer Assembly

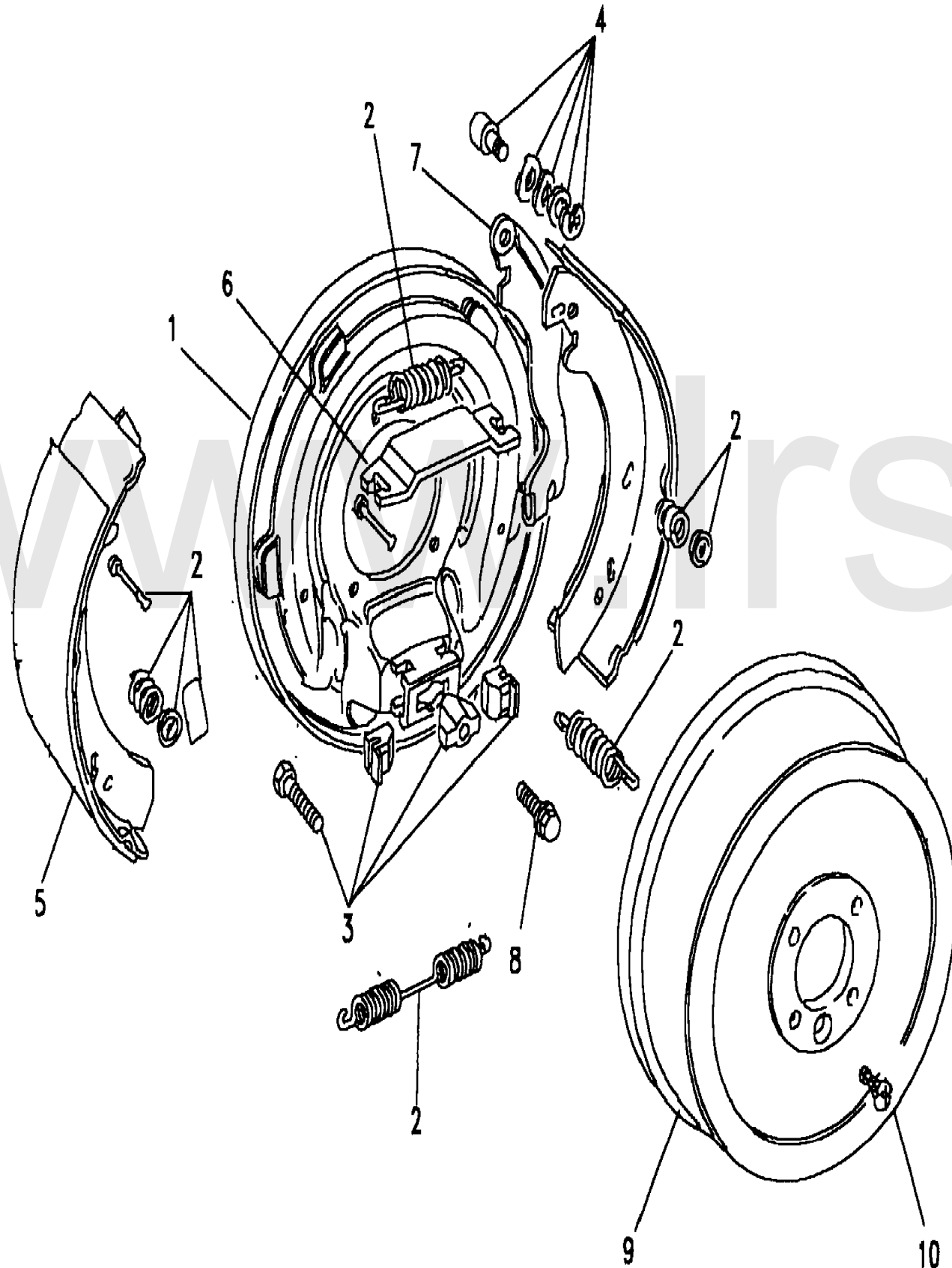
Callout	Name	Application	Remarks & Restrictions	Service No.	Qty
1	Transfer Box	TDi, Manual Transmission	Suffix G, New, 1.2 : 1	IAB100020	1
		Change point - Transfer box begin 551443G, Twin Carb, Manual Transmission	Suffix G, New, 1.2 : 1	STC3608	1
		Twin Carb, Manual Transmission	Suffix G, New, 1.2 : 1	IAB100020	1
		Change point - Transfer box begin 551443G, 4 Cyl MPi Petrol, Manual Transmission	Suffix G, New, 1.4 : 1	STC3609	1
		4 Cyl MPi Petrol, Manual Transmission	Suffix G, New, 1.4 : 1	IAB100030	1
		Change point - Transfer box begin 551443G, EFI, Automatic Transmission, (+)"GB"	Suffix G, New, 1.2 : 1	STC3608	1
		Change point - Transfer box begin 551443G, EFI, Automatic Transmission, (-)"GB"	Suffix G, New, 1.2 : 1	STC3608	1
		EFI, Automatic Transmission, (+)"GB"	Suffix G, New, 1.2 : 1	IAB100020	1
		EFI, Automatic Transmission, (-)"GB"	Suffix G, New, 1.2 : 1	IAB100020	1
		Change point - Transfer box begin 551443G, TDi, Automatic Transmission, (-)"GB"	Suffix G, New, 1.2 : 1	STC3608	1
		Change point - Transfer box begin 551443G, TDi, Automatic Transmission, (+)"GB"	Suffix G, New, 1.2 : 1	STC3608	1
		Change point - Transfer box begin 551443G, EFI, Automatic Transmission, (+)"J"	Shift Interlock, Suffix G, New, 1.2 : 1	STC3611	1
		Change point - Transfer box begin 551443G, TDi, Automatic Transmission, (+)"J"	Shift Interlock, Suffix G, New, 1.2 : 1	STC3611	1
		Change point - Transfer box end 551442F, 2.0L 16v MPi Petrol	Remanufactured Transfer Boxes Do Not Come With Transmission Brake Assembly, Any Sensors, Gear Linkage Or Speed, exchange, 1.4 : 1	STC8682E	1
		Change point - Transfer box end 551442F, Manual Transmission, (-)"J"	Remanufactured Transfer Boxes Do Not Come With Transmission Brake Assembly, Any Sensors, Gear Linkage Or Speed, Less Shift Interlock, exchange, 1.2 : 1	STC8959E	1
		Change point - Transfer box end 551442F, Automatic Transmission, (-)"J"	Remanufactured Transfer Boxes Do Not Come With Transmission Brake Assembly, Any Sensors, Gear Linkage Or Speed, Less Shift Interlock, exchange, 1.2 : 1	STC8960E	1
		2	Wire Assy	Adaptor	

Transfer Box
LT230
Transmission Brake-Direct Entry Cable 1/1

Discovery (FA393361-WA799999)
(CADBRA2A)

Discovery (FA393361-WA799999)

Transfer Box
LT230
Transmission Brake-Direct Entry Cable



Callout	Name	Application	Remarks & Restrictions	Service No.	Qty
1	Backplate-transmission brake assembly	Change point - Transfer box begin 28D283205E		STC1533	1
2	Kit-transmission brake shoe retention	Change point - Transfer box begin 28D283205E		STC1526	1
3	Kit-transmission brake adjuster	Change point - Transfer box begin 28D283205E		STC1527	1
4	Kit-transmission brake shoe retention	Change point - Transfer box begin 28D283205E	Also serviced as part of a kit	STC1532	1
5	Kit-transmission brake shoe	Change point - Transfer box begin 28D283205E		STC1525	1
6	Shaft-cross-transmission brake	Change point - Transfer box begin 28D283205E		STC1536	1
7	Lever-transmission brake	Change point - Transfer box begin 28D283205E		STC1538	1
8	Bolt	Change point - Transfer box begin 28D283205E		AFU1400	4
9	Drum-transmission brake	Change point - Transfer box begin 28D283205E	Black	FRC3502	1
10	Screw	Change point - Transfer box begin 28D283205E	counter sunk, M8 x 20	SA108201	1

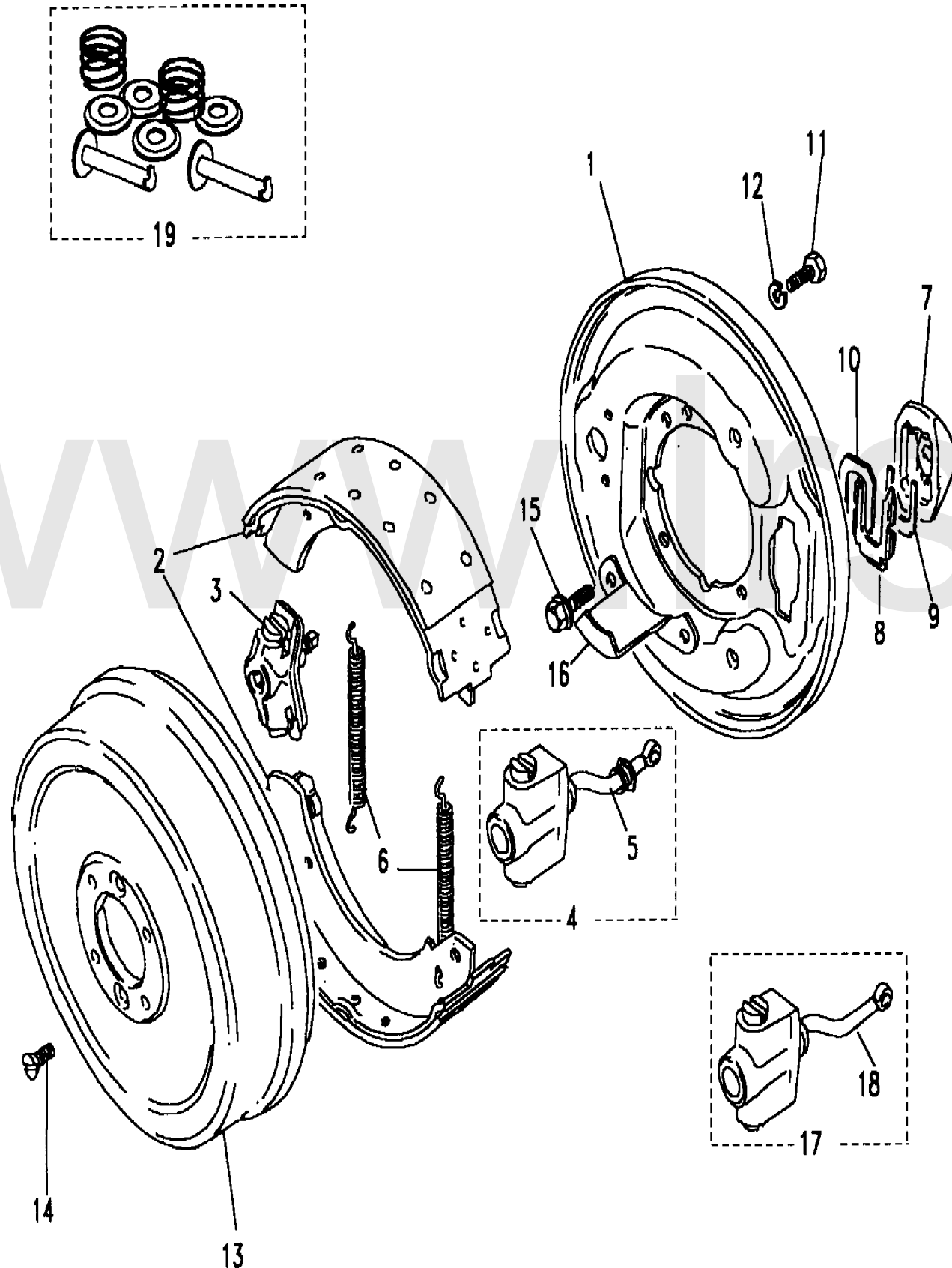
Transfer Box
LT230
Transmission Brake-Rod Operated 1/2

Discovery (FA393361-WA799999)

(CADBRA1A)

Discovery (FA393361-WA799999)

Transfer Box
LT230
Transmission Brake-Rod Operated



Callout	Name	Application	Remarks & Restrictions	Service No.	Qty
1	Backplate-transmission brake assembly	Change point - Transfer box end 28D283204E		STC963	1
2	Kit-transmission brake shoe	Change point - Transfer box end 28D283204E		STC965	1
3	Adjuster assembly-transfer box brake shoe	Change point - Transfer box end 28D283204E	Also serviced as part of a kit	STC244	1
4	Expander assembly-transfer box brake shoe	Change point - Transfer box end 28D283204E	Also serviced as part of a kit	AEU2734	1
5	Connecting rod assembly brake	Change point - Transfer box end 28D283204E		AEU2736	1
6	Spring-return	Change point - Transfer box end 28D283204E	Green	STC246	2
7	Cover-dust wheel cylinder	Change point - Transfer box end 28D283204E		515466	1
8	Plate-locking	Change point - Transfer box end 28D283204E		515467	1
9	Plate-packing	Change point - Transfer box end 28D283204E		515470	1
10	Plate	Change point - Transfer box end 28D283204E		515468	1
11	Screw	Change point - Transfer box end 28D283204E		AEU2737	2
12	Washer	Change point - Transfer box end 28D283204E		AEU2738	2
13	Drum-transmission brake	Change point - Transfer box end 28D283204E	Black	FRC3502	1
14	Screw	Change point - Transfer box end 28D283204E	counter sunk, M8 x 20	SA108201	2
15	Bolt	Change point - Transfer box end 28D283204E		AFU1400	4
16	Catcher-transfer box transmission brake oil	Change point - Transfer box end 28D283204E		FRC8093	1
17	Expander assembly-transfer box brake shoe	Change point - Transfer box end 28D283204E	Also serviced as part of a kit	AEU2734	1
18	Connecting rod assembly brake	Change point - Transfer box end 28D283204E	Also serviced as part of a kit	STC964	1
19	Kit-transmission brake springs	Change point - Transfer box end 28D283204E		STC1214	1

Transfer Box
LT230
Transmission Brake-Rod Operated 2/2

Discovery (FA393361-WA799999)
(CADBRA1A)

Discovery (FA393361-WA799999)

Transfer Box
LT230
Transmission Brake-Rod Operated

Transmission Brake-Rod Operated

Callout	Name	Application	Remarks & Restrictions	Service No.	Qty
[901]	Kit-transmission brake adjuster	Change point - Transfer box end 28D283204E	Also serviced as part of a kit	STC245	1

