



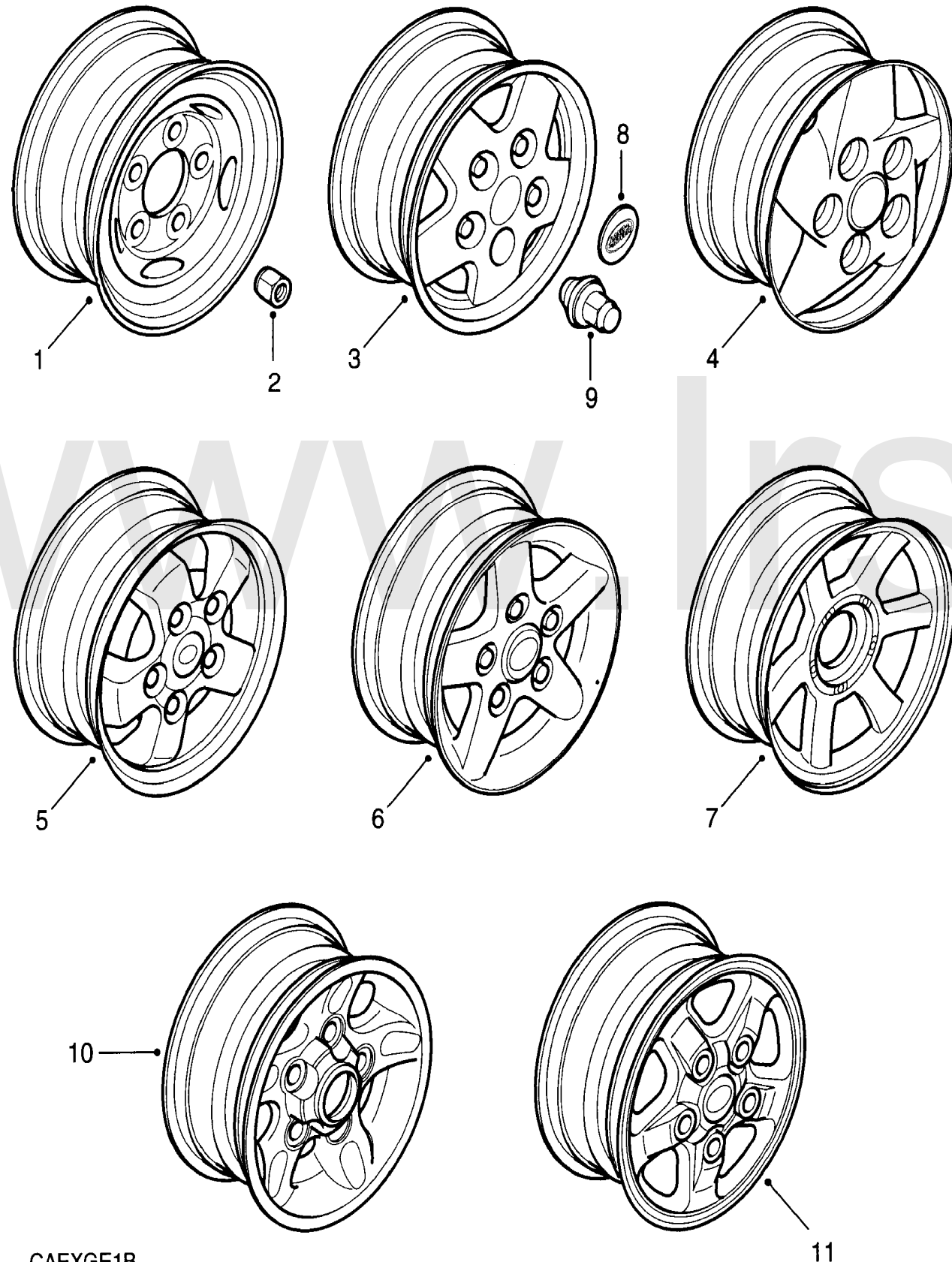
Axles & Suspension  
 Axle Ancilliaries & Road Wheels  
 Road Wheels 1/2

Discovery (FA393361-WA799999)

(CAEXGE1B)

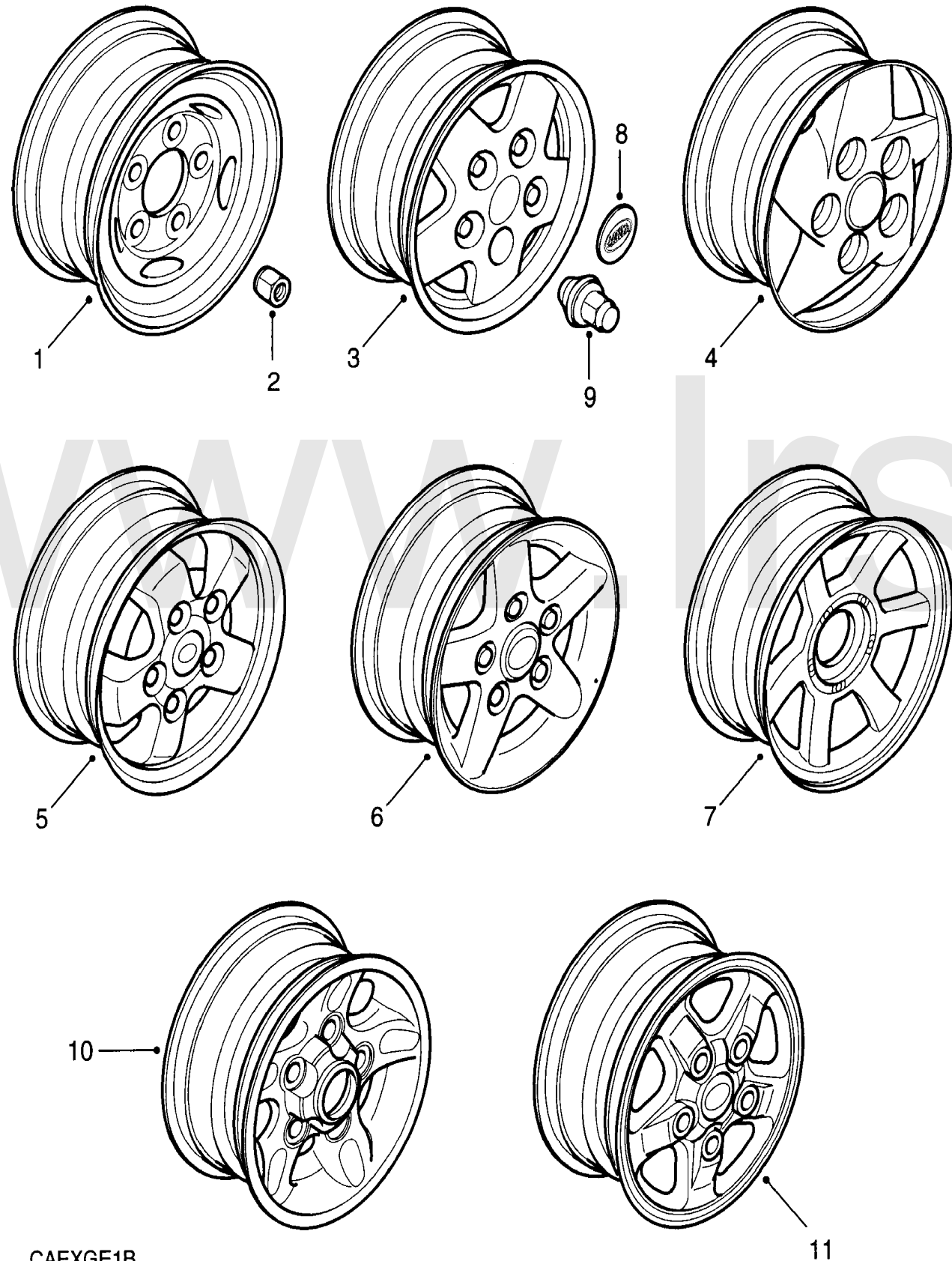
Discovery (FA393361-WA799999)

Axles & Suspension  
 Axle Ancilliaries & Road Wheels  
 Road Wheels



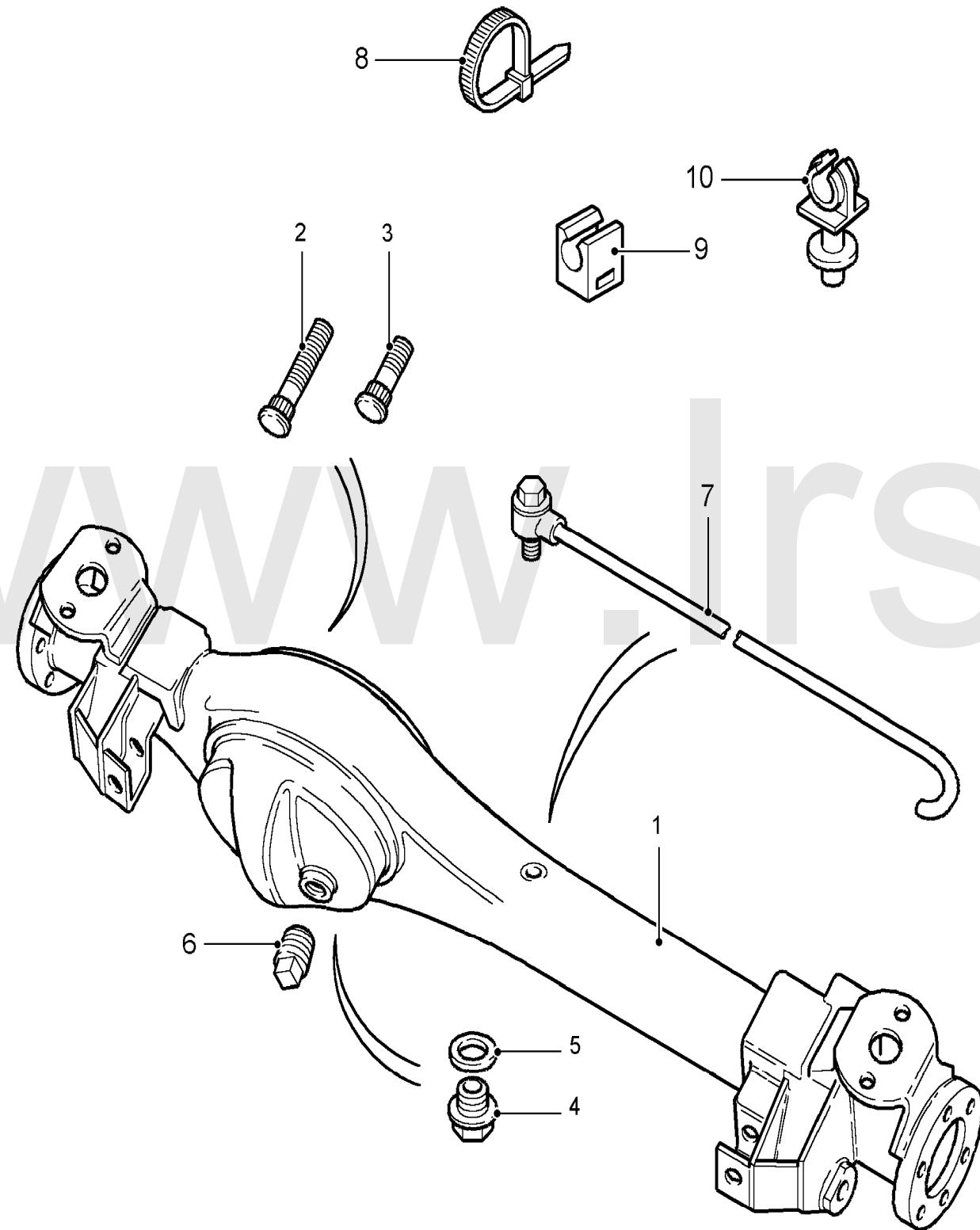
CAEXGE1B

Callout	Name	Application	Remarks & Restrictions	Service No.	Qty
1	Wheel-steel road		Primer	NTC5193PM	5
2	Nut wheel retention		M16, steel wheel M16, steel wheel	NTC7396 RRD500010	20 20
3	Wheel-alloy road	3 Door Station Wagon	7.0 X 16, Quicksilver, Styled	RTC9526	5
4	Wheel-alloy road	5 Door Station Wagon, (-)"GB" 5 Door Station Wagon, (+)"I" 5 Door Station Wagon, (+)"I"	Quicksilver, Cyclone Cyclone, Fox Fire Red Cyclone, Carridga Green	NTC7739MUE NTC7739CUH NTC7739HUL	5 5 5
5	Wheel-alloy road	Change point - VIN begin MA081992, 5 Door Station Wagon Change point - VIN begin VA534103, Change point - VIN end VA558898, 5 Door Station Wagon Change point - VIN begin VA703237, 5 Door Station Wagon	7.0 X 16, Quicksilver, Castor 7.0 X 16, Silver Sparkle, Castor 7.0 X 16, Silver Sparkle, Castor	NTC9976MUE NTC9976MNH NTC9976MNH	5 5 5
6	Wheel-alloy road	Change point - VIN end VA708288 Change point - VIN end VA539096 Change point - VIN end VA708288 Change point - VIN end VA539096 Change point - VIN begin VA539097 Change point - VIN begin VA708289 Change point - VIN begin VA539097 Change point - VIN begin VA708289	7.0 X 16, Silver Sparkle, Tornado 7.0 X 16, Silver Sparkle, Tornado Tornado, Arken Grey Nave/Silver Sparkle Rim Tornado, Arken Grey Nave/Silver Sparkle Rim 7.0 X 16, Silver Sparkle, Tornado 7.0 X 16, Silver Sparkle, Tornado 7.0 X 16, Tornado, Arken Grey Nave/Silver Sparkle Rim 7.0 X 16, Tornado, Arken Grey Nave/Silver Sparkle Rim	ANR1689MNH ANR1689MNH ANR1689RJQ ANR1689RJQ ANR5307MNH ANR5307MNH ANR5307RJQ ANR5307RJQ	5 5 5 5 5 5 5 5
7	Wheel-alloy road	(+)"D"	The Centre Cap For This Wheel Is Fitted At Port Of Entry And Can Only Be Bought From German Dealers, Sunseeker	ANR2900	5
8	Cap assembly-centre alloy wheel	Change point - VIN end KA038538 Change point - VIN begin KA038539 Change point - VIN begin MA081992 Change point - VIN begin KA038539 Change point - VIN begin WA746542	With Logo, Quicksilver With Logo, Silver Sparkle With Logo, Quicksilver Westminster Grey With Logo, Pewter	NTC7743 ANR2391MNH ANR2391MUE ANR2391LUQ ANR2391LAL	5 5 5 5 5



CAEXGE1B

Callout	Name	Application	Remarks & Restrictions	Service No.	Qty
9	Nut-alloy road wheels	Change point - VIN end KA052252		NRC7415	20
		Change point - VIN begin KA052253		ANR2763MMM	20
10	Wheel-alloy road	Change point - VIN begin MA163104	Deep Dish, 7.0 X 16, Silver Sparkle	ANR3631MNH	5
		Change point - VIN begin TA501920	Deep Dish, 7.0 X 16, Silver Sparkle	ANR3631MNH	5
11	Wheel-alloy road	Change point - VIN begin WA746542, For Alloy Wheels	7.0 X 16, Pewter/Bright, tubeless, 5 Spoke	RRC110870RHO	5
		Change point - VIN begin WA746542, For Alloy Wheels	7.0 X 16, Silver Sparkle, Boost, 5 Spoke	RRC110870MNH	5
			7.0 X 16	RRC502000MNH	5
			7.0 X 16	RRC502000RHO	5



Less Air Suspension

Callout	Name	Application	Remarks & Restrictions	Service No.	Qty		
1	Case-front axle	Change point - VIN end, V8 Petrol, Less Roll Bar	Also serviced as part of a kit	FTC823	1		
		Change point - VIN end, 4 Cylinder Diesel, Less Roll Bar	Also serviced as part of a kit	FTC825	1		
		Change point - VIN end, 4 Cyl MPi Petrol, Less Roll Bar	Also serviced as part of a kit	FTC2223	1		
		Change point - VIN end, V8 Petrol, With Roll Bar	Also serviced as part of a kit	FTC2509	1		
		Change point - VIN end, 4 Cylinder Diesel, With Roll Bar	Also serviced as part of a kit	FTC2223	1		
		Change point - VIN end, 4 Cyl MPi Petrol, With Roll Bar	Also serviced as part of a kit	FTC2223	1		
		Change point - VIN begin, V8 Petrol, Less Roll Bar	Also serviced as part of a kit	FTC4417	1		
		Change point - VIN begin, 4 Cylinder Diesel, Less Roll Bar	Also serviced as part of a kit	FTC4413	1		
		Change point - VIN begin, 4 Cyl MPi Petrol, Less Roll Bar	Also serviced as part of a kit	FTC4413	1		
		Change point - VIN begin, V8 Petrol, With Roll Bar	Also serviced as part of a kit	FTC4417	1		
		Change point - VIN begin, 4 Cylinder Diesel, With Roll Bar	Also serviced as part of a kit	FTC4413	1		
		Change point - VIN begin, 4 Cyl MPi Petrol, With Roll Bar	Also serviced as part of a kit	FTC4413	1		
		2	Stud	Change point - VIN end, V8 Petrol, Less Roll Bar	Also serviced as part of a kit, 3/8UNF x 1 3/4	561196	4
				Change point - VIN end, V8 Petrol, Less Roll Bar	Also serviced as part of a kit, 3/8UNF x 1 1/4	561195	4
4	Plug-drain/filler level	Change point - VIN end, V8 Petrol, Less Roll Bar	Also serviced as part of a kit	608246	2		
5	Pipe-front axle breather		Also serviced as part of a kit	FTC2175	1		
6	Bolt-banjo		Also serviced as part of a kit	595478	1		
7	Washer-sealing		Also serviced as part of a kit	232039	2		
8	Clip-Pipe			NRC9246	3		
9	Tie-cable		4.8 x 270mm, inside serated	568680	3		
10	Clip-Pipe		Single	79123	1		

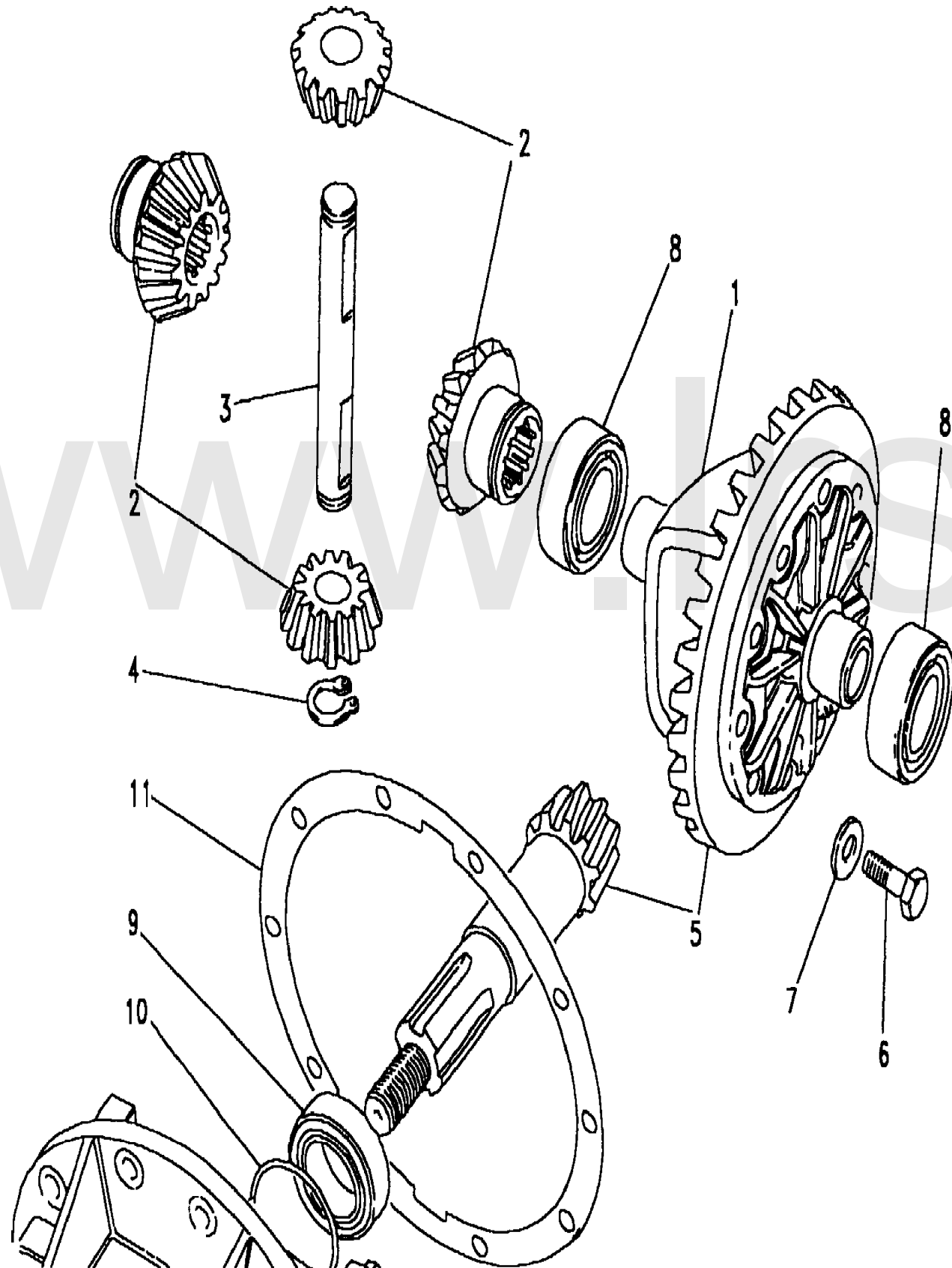
Axles & Suspension  
Front Axle  
Differential Case Front 1/5

Discovery (FA393361-WA799999)  
(CAEXCG1A)

Discovery (FA393361-WA799999)

Axles & Suspension  
Front Axle  
Differential Case Front

Callout	Name	Application	Remarks & Restrictions	Service No.	Qty
1	Case - Differential	Change point - Axle begin 43L00001, Change point - Axle end 43L18579	10 spline shaft	FRC2933	1
		Change point - Axle begin 71L00001, Change point - Axle end 78L99999	24 spline shaft	FTC3269	1
2	Kit-differential gears	Change point - Axle begin 38L00001, Change point - Axle end 38L03120	Also serviced as part of a kit, 10 spline shaft	STC851	1
		Change point - Axle begin 39L00001, Change point - Axle end 39L05552	Also serviced as part of a kit, 10 spline shaft	STC851	1
		Change point - Axle begin 42L00001, Change point - Axle end 42L00521	Also serviced as part of a kit, 10 spline shaft	STC851	1
		Change point - Axle begin 43L00001, Change point - Axle end 43L18579	Also serviced as part of a kit, 10 spline shaft	STC851	1
		Change point - Axle begin 38L00001	Also serviced as part of a kit, 10 spline shaft	STC1768	1
		Change point - Axle begin 71L00001		FTC3267	1
		Change point - Axle begin 72L00001		FTC3267	1
		Change point - Axle begin 73L00001		FTC3267	1
		Change point - Axle begin 74L00001		FTC3267	1
		Change point - Axle begin 75L00001		FTC3267	1
		Change point - Axle begin 76L00001		FTC3267	1
		Change point - Axle begin 77L00001		FTC3267	1
		Change point - Axle begin 78L00001		FTC3267	1
		Change point - Axle begin 38L03121, Change point - Axle end 38L99999		FTC3267	1
		Change point - Axle begin 39L05553, Change point - Axle end 39L99999		FTC3267	1
		Change point - Axle begin 42L00522, Change point - Axle end 42L99999		FTC3267	1
		Change point - Axle begin 43L18580, Change point - Axle end 43L99999		FTC3267	1
		Change point - Axle begin 38L03121, Change point - Axle end 38L99999		FTC3268	1
		Change point - Axle begin 39L05553, Change point - Axle end 39L99999		FTC3268	1
		Change point - Axle begin 42L00522, Change point - Axle end 42L99999		FTC3268	1
Change point - Axle begin 43L18580, Change point - Axle end 43L99999		FTC3268	1		



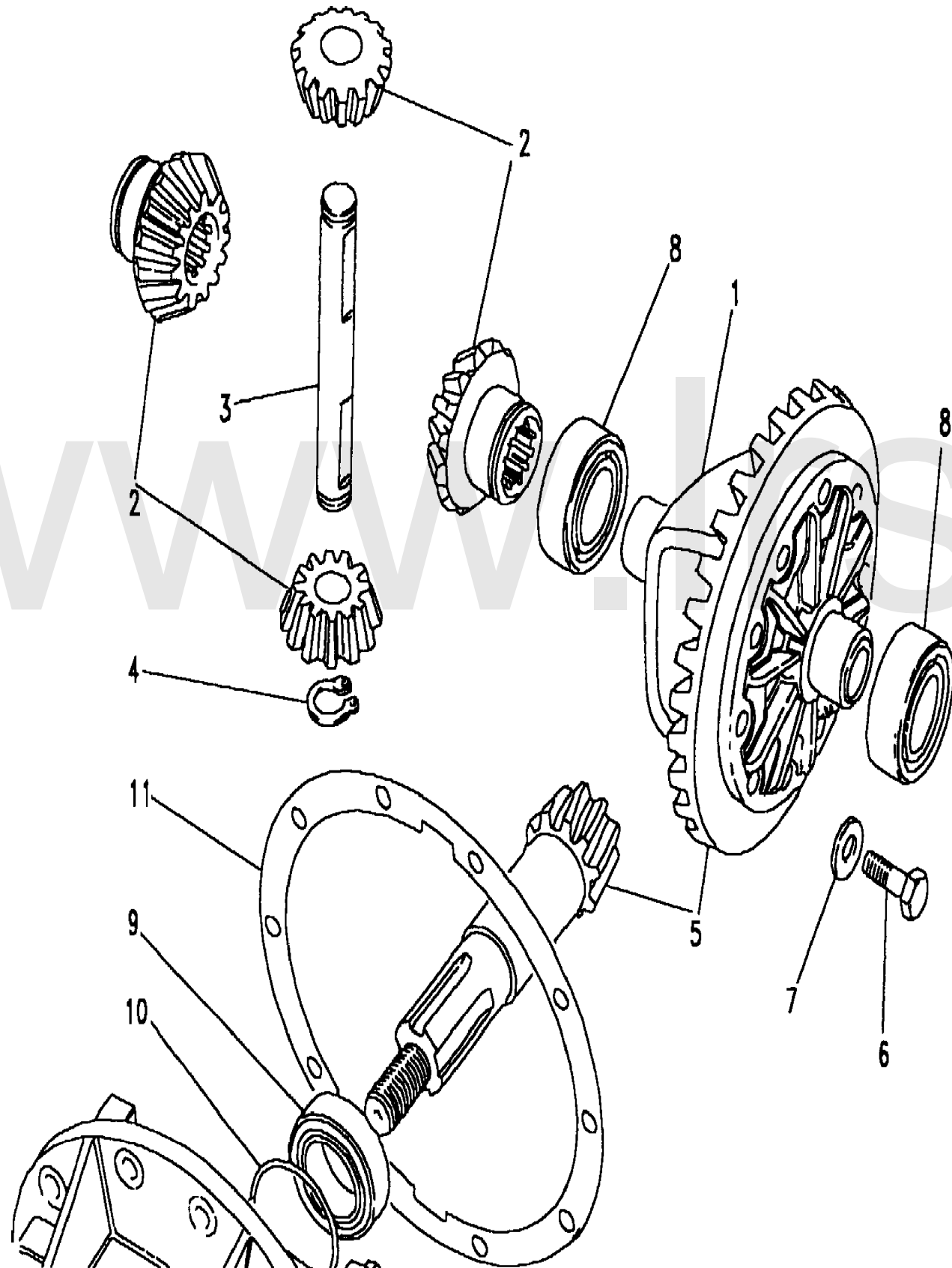
Axles & Suspension  
Front Axle  
Differential Case Front 2/5

Discovery (FA393361-WA799999)

(CAEXCG1A)

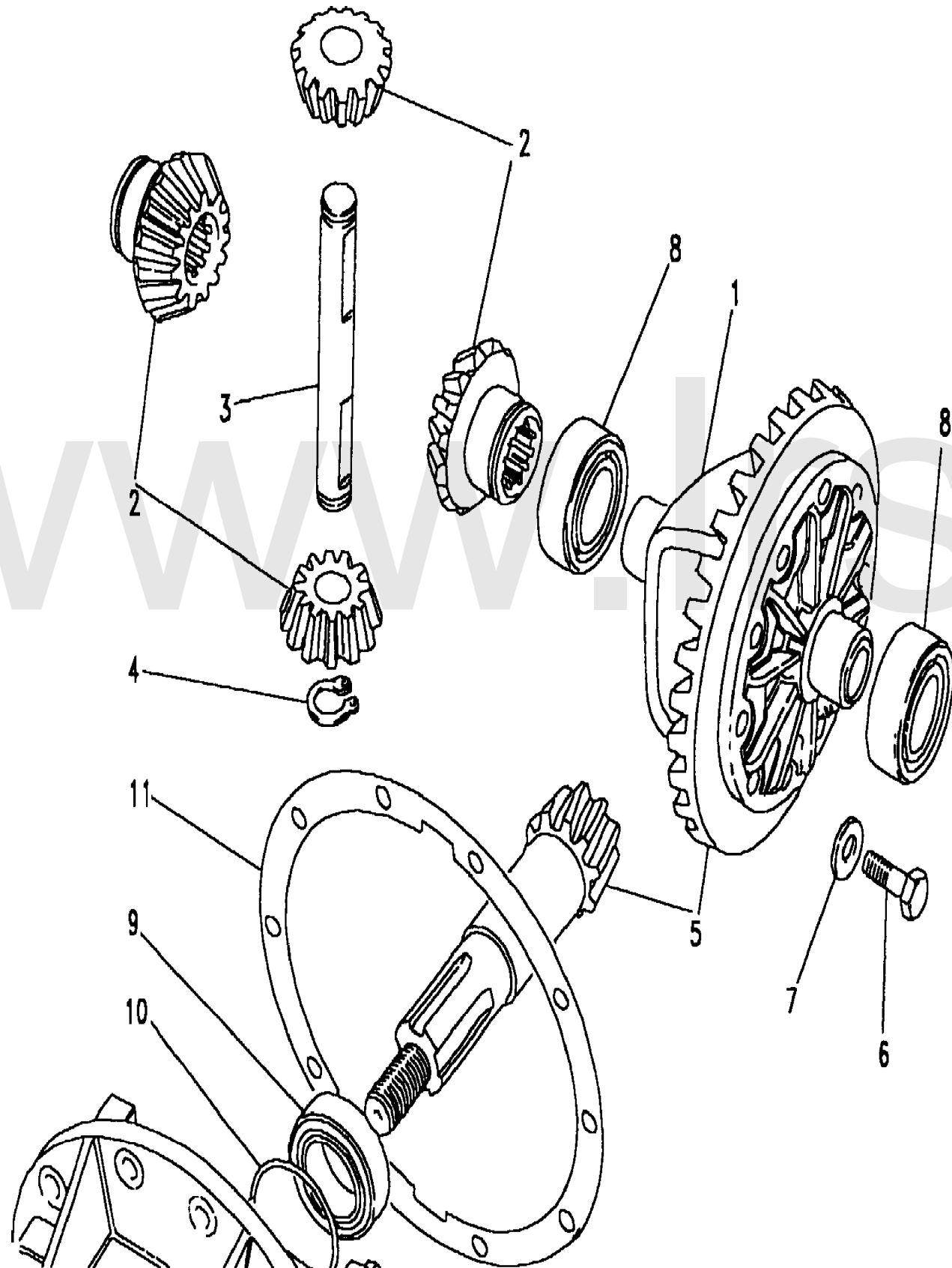
Discovery (FA393361-WA799999)

Axles & Suspension  
Front Axle  
Differential Case Front



Callout	Name	Application	Remarks & Restrictions	Service No.	Qty
2	Kit-differential gears	Change point - Axle begin 71L00001, Change point - Axle end 78L99999		FTC3268	1
3	Cross shaft differential	Change point - Axle begin 38L00001, Change point - Axle end 38L03120	Also serviced as part of a kit	599945	1
		Change point - Axle begin 39L00001, Change point - Axle end 39L05552	Also serviced as part of a kit	599945	1
		Change point - Axle begin 42L00001, Change point - Axle end 42L00521	Also serviced as part of a kit	599945	1
		Change point - Axle begin 43L00001, Change point - Axle end 43L18579	Also serviced as part of a kit	599945	1
		Change point - Axle begin 38L00001	Also serviced as part of a kit	599945	1
4	Circlip	Change point - Axle begin 38L00001, Change point - Axle end 38L03120	Also serviced as part of a kit	CCN110L	2
		Change point - Axle begin 39L00001, Change point - Axle end 39L05552	Also serviced as part of a kit	CCN110L	2
		Change point - Axle begin 42L00001, Change point - Axle end 42L00521	Also serviced as part of a kit	CCN110L	2
		Change point - Axle begin 43L00001, Change point - Axle end 43L18579	Also serviced as part of a kit	CCN110L	2
		Change point - Axle begin 38L00001	Also serviced as part of a kit	CCN110L	2
5	Crownwheel and pinion assembly	Change point - Axle begin 38L00001, Change point - Axle end 38L03120		FTC781	1
		Change point - Axle begin 39L00001, Change point - Axle end 39L05552		FTC781	1
		Change point - Axle begin 42L00001, Change point - Axle end 42L00521		FTC781	1
		Change point - Axle begin 43L00001, Change point - Axle end 43L18579		FTC781	1
		Change point - Axle begin 38L03121, Change point - Axle end 38L99999	Nut Securing Flange	FTC3620	1
		Change point - Axle begin 39L05553, Change point - Axle end 39L99999	Nut Securing Flange	FTC3620	1
		Change point - Axle begin 42L00522, Change point - Axle end 42L99999	Nut Securing Flange	FTC3620	1
		Change point - Axle begin 43L18580, Change point - Axle end 43L99999	Nut Securing Flange	FTC3620	1
		Change point - Axle begin 71L00001A, Change point - Axle end 71L55169A	Nut Securing Flange	FTC3620	1

Callout	Name	Application	Remarks & Restrictions	Service No.	Qty		
5	Crownwheel and pinion assembly	Change point - Axle begin 72L00001A, Change point - Axle end 72L40518A	Nut Securing Flange	FTC3620	1		
		Change point - Axle begin 73L00001A, Change point - Axle end 73L10454A	Nut Securing Flange	FTC3620	1		
		Change point - Axle begin 74L00001A, Change point - Axle end 74L06441A	Nut Securing Flange	FTC3620	1		
		Change point - Axle begin 75L00001A, Change point - Axle end 75L20434A	Nut Securing Flange	FTC3620	1		
		Change point - Axle begin 76L00001A, Change point - Axle end 76L06647A	Nut Securing Flange	FTC3620	1		
		Change point - Axle begin 77L00001A, Change point - Axle end 77L14993A	Nut Securing Flange	FTC3620	1		
		Change point - Axle begin 78L00001A, Change point - Axle end 78L61051A	Nut Securing Flange	FTC3620	1		
		Change point - Axle begin 71L55170A, Change point - Axle end 71L99999A	Bolt Securing Flange	TBH100040	1		
		Change point - Axle begin 72L40519A, Change point - Axle end 72L99999A	Bolt Securing Flange	TBH100040	1		
		Change point - Axle begin 73L10455A, Change point - Axle end 73L99999A	Bolt Securing Flange	TBH100040	1		
		Change point - Axle begin 74L06442A, Change point - Axle end 74L99999A	Bolt Securing Flange	TBH100040	1		
		Change point - Axle begin 75L20435A, Change point - Axle end 75L99999A	Bolt Securing Flange	TBH100040	1		
		Change point - Axle begin 76L06648A, Change point - Axle end 76L99999A	Bolt Securing Flange	TBH100040	1		
		Change point - Axle begin 77L14994A, Change point - Axle end 77L99999A	Bolt Securing Flange	TBH100040	1		
		Change point - Axle begin 78L61052A, Change point - Axle end 78L99999A	Bolt Securing Flange	TBH100040	1		
		6	Bolt	Change point - Axle begin 38L00001, Change point - Axle end 38L03120		593692	10
				Change point - Axle begin 39L00001, Change point - Axle end 39L05552		593692	10
				Change point - Axle begin 42L00001, Change point - Axle end 42L00521		593692	10
				Change point - Axle begin 43L00001, Change point - Axle end 43L18579		593692	10
				Change point - Axle begin 38L03121, Change point - Axle end 38L99999	3/8UNF	FTC3586	10

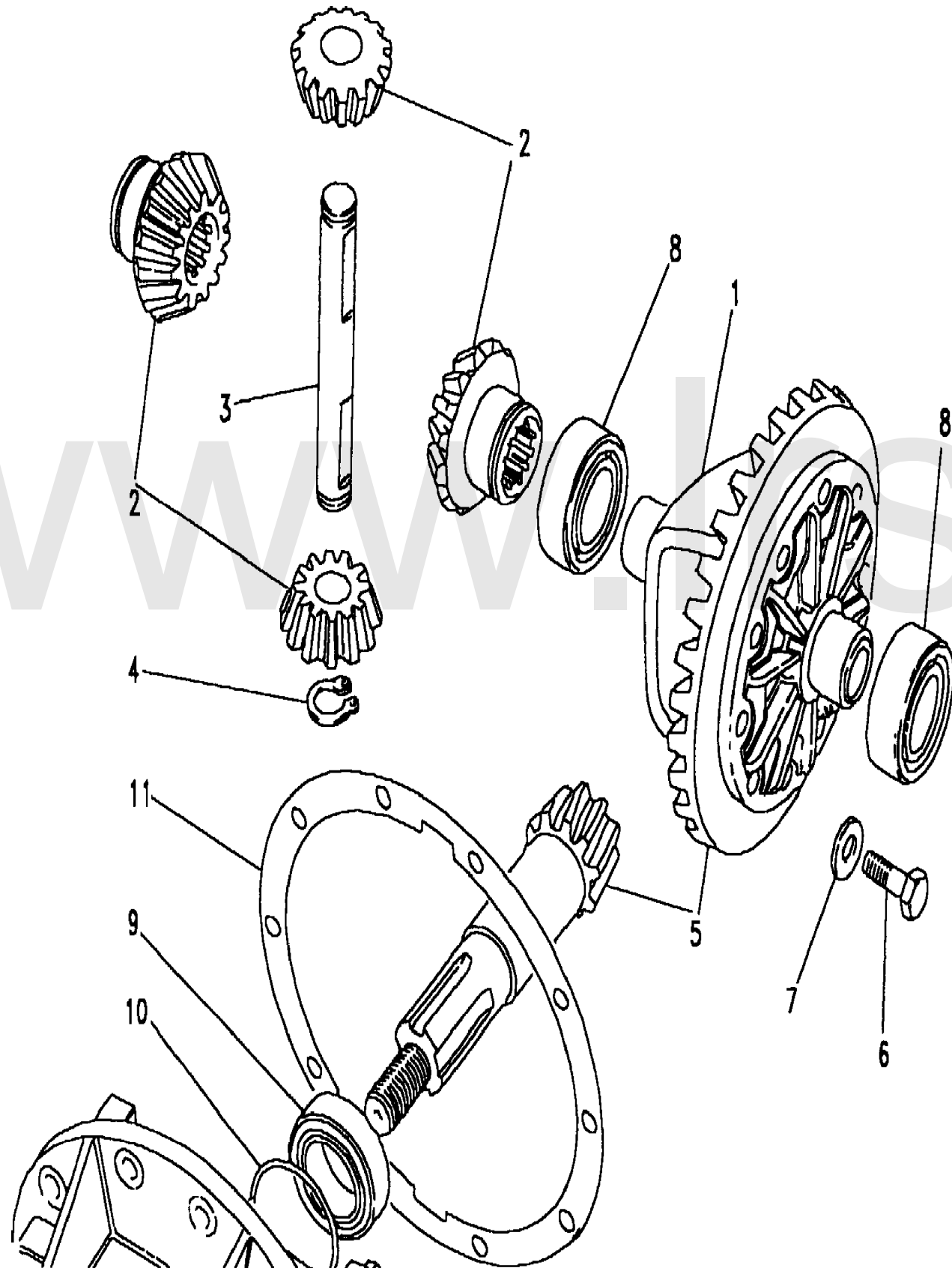


Axles & Suspension  
Front Axle  
Differential Case Front 4/5

Discovery (FA393361-WA799999)  
(CAEXCG1A)

Discovery (FA393361-WA799999)

Axles & Suspension  
Front Axle  
Differential Case Front



Callout	Name	Application	Remarks & Restrictions	Service No.	Qty		
6	Bolt	Change point - Axle begin 39L05553, Change point - Axle end 39L99999	3/8UNF	FTC3586	10		
		Change point - Axle begin 42L00522, Change point - Axle end 42L99999	3/8UNF	FTC3586	10		
		Change point - Axle begin 43L18580, Change point - Axle end 43L99999	3/8UNF	FTC3586	10		
		Change point - Axle begin 71L00001, Change point - Axle end 78L99999	3/8UNF	FTC3586	10		
7	Washer-Plain			593693	10		
8	Bearing-taper roller differential	Change point - Axle begin 38L00001, Change point - Axle end 38L03120		RTC2726	1		
		Change point - Axle begin 39L00001, Change point - Axle end 39L05552		RTC2726	1		
		Change point - Axle begin 42L00001, Change point - Axle end 42L00521		RTC2726	1		
		Change point - Axle begin 43L00001, Change point - Axle end 43L18579		RTC2726	1		
		Change point - Axle begin 38L03121, Change point - Axle end 38L99999		STC1602	1		
		Change point - Axle begin 39L05553, Change point - Axle end 39L99999		STC1602	1		
		Change point - Axle begin 42L00522, Change point - Axle end 42L99999		STC1602	1		
		Change point - Axle begin 43L18580, Change point - Axle end 43L99999		STC1602	1		
		Change point - Axle begin 71L00001, Change point - Axle end 78L99999		STC1602	1		
		Change point - Axle begin 38L03121, Change point - Axle end 38L99999		RTC3095	1		
		Change point - Axle begin 39L05553, Change point - Axle end 39L99999		RTC3095	1		
		Change point - Axle begin 42L00522, Change point - Axle end 42L99999		RTC3095	1		
		Change point - Axle begin 43L18580, Change point - Axle end 43L99999		RTC3095	1		
		Change point - Axle begin 71L00001, Change point - Axle end 78L99999		RTC3095	1		
		9	Bearing-taper roller			539706	1
		10	Shim		Metric, 1.548mm	FTC3853	X
	Metric, 1.498mm			FTC3855	X		

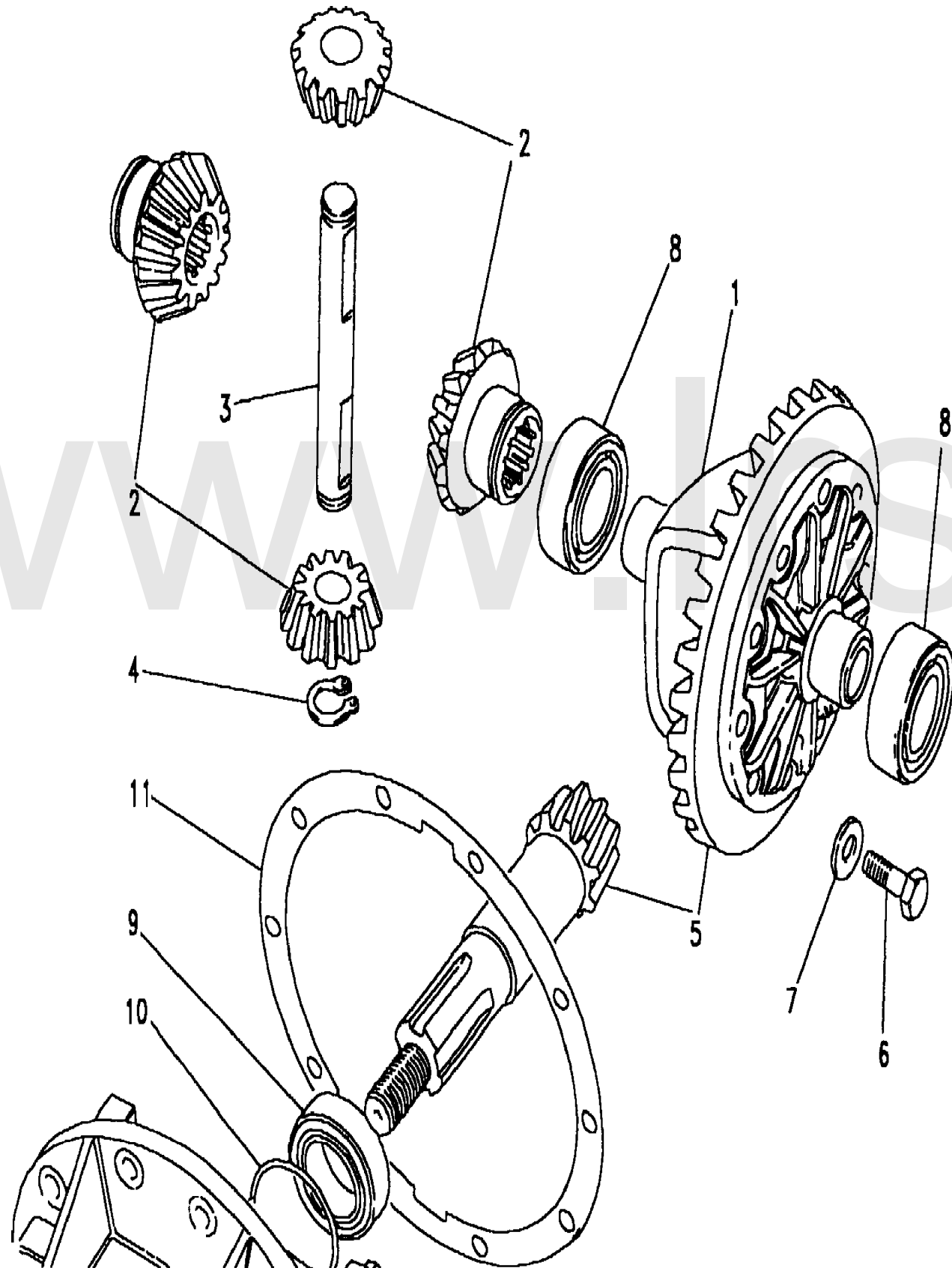
Axles & Suspension  
 Front Axle  
 Differential Case Front 5/5

Discovery (FA393361-WA799999)  
 (CAEXCG1A)

Discovery (FA393361-WA799999)

Axles & Suspension  
 Front Axle  
 Differential Case Front

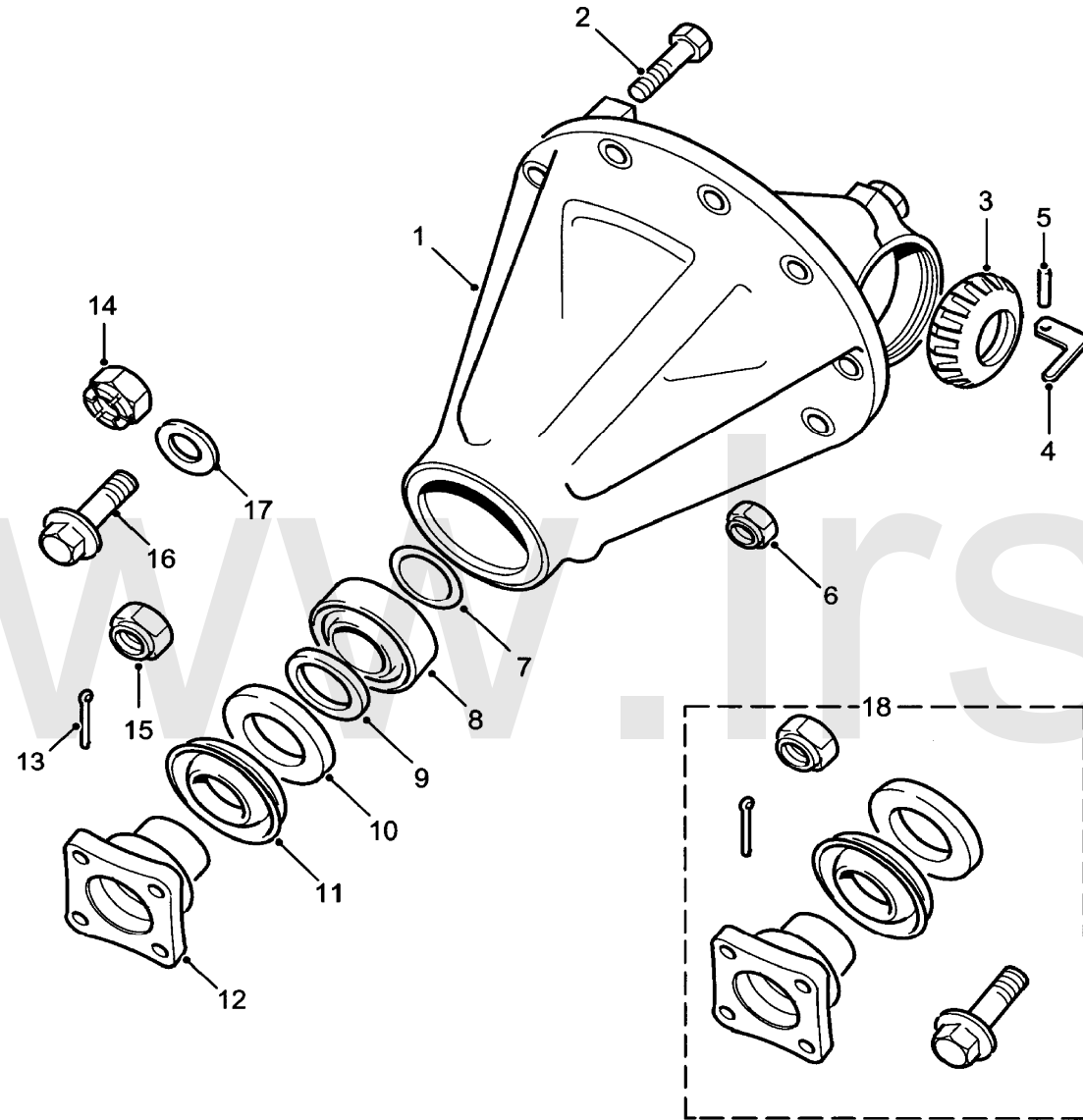
Callout	Name	Application	Remarks & Restrictions	Service No.	Qty
10	Shim		Metric, 1.448mm Metric, 1.398mm Metric, 1.348mm Metric, 1.298mm Metric, 1.248mm Metric, 1.198mm	FTC3857 FTC3859 FTC3861 FTC3863 FTC3865 FTC3867	X X X X X X
11	Gasket-differential housing to axle case			7316	1



Axles & Suspension  
Front Axle  
Differential Front 1/7

Discovery (FA393361-WA799999)

(CAEXCE1A)



CAEXCE1A

Discovery (FA393361-WA799999)

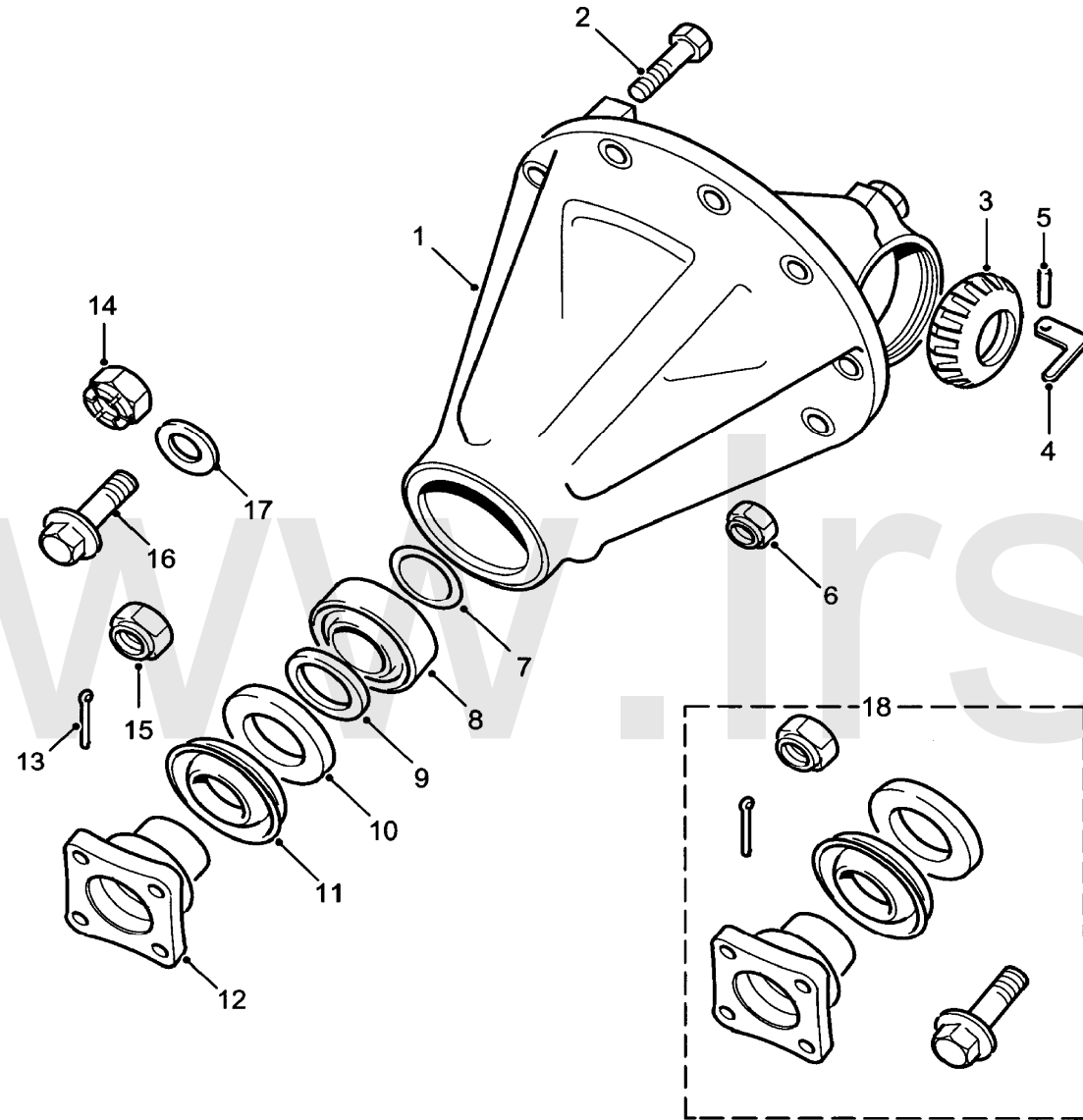
Axles & Suspension  
Front Axle  
Differential Front

Callout	Name	Application	Remarks & Restrictions	Service No.	Qty
1	Differential assembly differential		10 spline shaft, exchange	FTC2750E	1
		Change point - Axle begin 38L00001, Change point - Axle end 38L03120	10 spline shaft, 4 bolt flange, New	FTC2750	1
		Change point - Axle begin 39L00001, Change point - Axle end 39L05552	10 spline shaft, 4 bolt flange, New	FTC2750	1
		Change point - Axle begin 42L00001, Change point - Axle end 42L00521	10 spline shaft, 4 bolt flange, New	FTC2750	1
		Change point - Axle begin 43L00001, Change point - Axle end 43L18579	10 spline shaft, 4 bolt flange, New	FTC2750	1
			with filler/level plug	FRC5690	1
			less filler/level plug	FRC4112	1
			less filler/level plug	FRC4112	1
		Change point - VIN begin MA106433, Change point - Axle end 38L03120			
		Change point - VIN begin MA106433, Change point - Axle end 39L05552	less filler/level plug	FRC4112	1
		Change point - VIN begin MA106433, Change point - Axle end 42L00521	less filler/level plug	FRC4112	1
		Change point - VIN begin MA106433, Change point - Axle end 43L18579	less filler/level plug	FRC4112	1
		Change point - Axle begin 38L03121, Change point - Axle end 38L99999	24 spline shaft, 4 bolt flange, New	FTC3272	1
		Change point - Axle begin 39L05553, Change point - Axle end 39L99999	24 spline shaft, 4 bolt flange, New	FTC3272	1
		Change point - Axle begin 42L00522, Change point - Axle end 42L99999	24 spline shaft, 4 bolt flange, New	FTC3272	1
		Change point - Axle begin 43L18580, Change point - Axle end 43L99999	24 spline shaft, 4 bolt flange, New	FTC3272	1
		Change point - Axle begin 71L00001, Change point - Axle end 78L99999	24 spline shaft, 4 bolt flange, New	FTC3272	1
		Change point - Axle begin 38L03121, Change point - VIN end MA106432	with filler/level plug	FRC5690	1
		Change point - Axle begin 39L05553, Change point - VIN end MA106432	with filler/level plug	FRC5690	1
		Change point - Axle begin 42L00522, Change point - VIN end MA106432	with filler/level plug	FRC5690	1
		Change point - Axle begin 43L18580, Change point - VIN end MA106432	with filler/level plug	FRC5690	1
		Change point - Axle begin 71L00001, Change point - VIN end MA106432	with filler/level plug	FRC5690	1
		Change point - VIN begin MA106433, Change point - Axle end 38L99999	less filler/level plug	FRC4112	1

Axles & Suspension  
Front Axle  
Differential Front 2/7

Discovery (FA393361-WA799999)

(CAEXCE1A)



CAEXCE1A

Discovery (FA393361-WA799999)

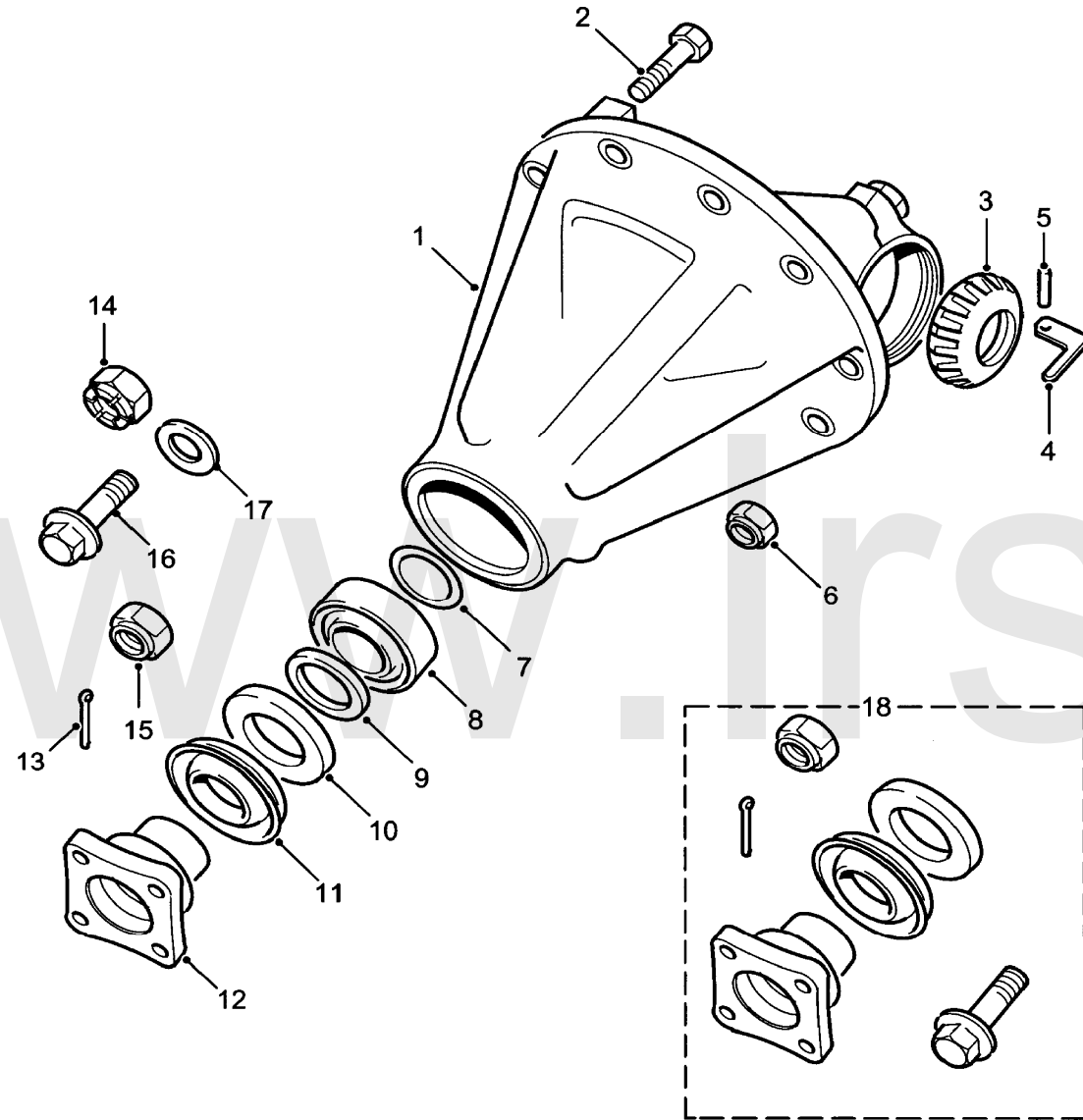
Axles & Suspension  
Front Axle  
Differential Front

Callout	Name	Application	Remarks & Restrictions	Service No.	Qty
1	Differential assembly differential	Change point - VIN begin MA106433, Change point - Axle end 39L99999	less filler/level plug	FRC4112	1
		Change point - VIN begin MA106433, Change point - Axle end 42L99999	less filler/level plug	FRC4112	1
		Change point - VIN begin MA106433, Change point - Axle end 43L99999	less filler/level plug	FRC4112	1
		Change point - VIN begin MA106433, Change point - Axle end 78L99999	less filler/level plug	FRC4112	1
			24 spline shaft, 4 bolt flange, exchange	FTC3272E	1
2	Bolt		M12 x 50	BH112101L	4
3	Ring-differential locking			FRC5204	2
				FTC4210	2
4	Tab-differential locking ring	Change point - Axle begin 38L03121, Change point - Axle end 38L99999		FRC5661	2
		Change point - Axle begin 39L05553, Change point - Axle end 39L99999		FRC5661	2
		Change point - Axle begin 42L00522, Change point - Axle end 42L99999		FRC5661	2
		Change point - Axle begin 43L18580, Change point - Axle end 43L99999		FRC5661	2
		Change point - Axle begin 71L00001, Change point - Axle end 78L99999		FRC5661	2
				FRC5661	2
5	Pin-roll-spring tension	Change point - Axle begin 38L03121, Change point - Axle end 38L99999	Also serviced as part of a kit	576159	2
		Change point - Axle begin 39L05553, Change point - Axle end 39L99999	Also serviced as part of a kit	576159	2
		Change point - Axle begin 42L00522, Change point - Axle end 42L99999	Also serviced as part of a kit	576159	2
		Change point - Axle begin 43L18580, Change point - Axle end 43L99999	Also serviced as part of a kit	576159	2
		Change point - Axle begin 71L00001, Change point - Axle end 78L99999	Also serviced as part of a kit	576159	2
			Also serviced as part of a kit	576159	2
6	Nut - Hex.	Change point - Axle begin 38L03121, Change point - Axle end 38L99999	Also serviced as part of a kit, hexagonal head, 3/8, UNF, nyloc	NY606041L	10
		Change point - Axle begin 39L05553, Change point - Axle end 39L99999	Also serviced as part of a kit, hexagonal head, 3/8, UNF, nyloc	NY606041L	10
		Change point - Axle begin 42L00522, Change point - Axle end 42L99999	Also serviced as part of a kit, hexagonal head, 3/8, UNF, nyloc	NY606041L	10

Axles & Suspension  
Front Axle  
Differential Front 3/7

Discovery (FA393361-WA799999)

(CAEXCE1A)



CAEXCE1A

Discovery (FA393361-WA799999)

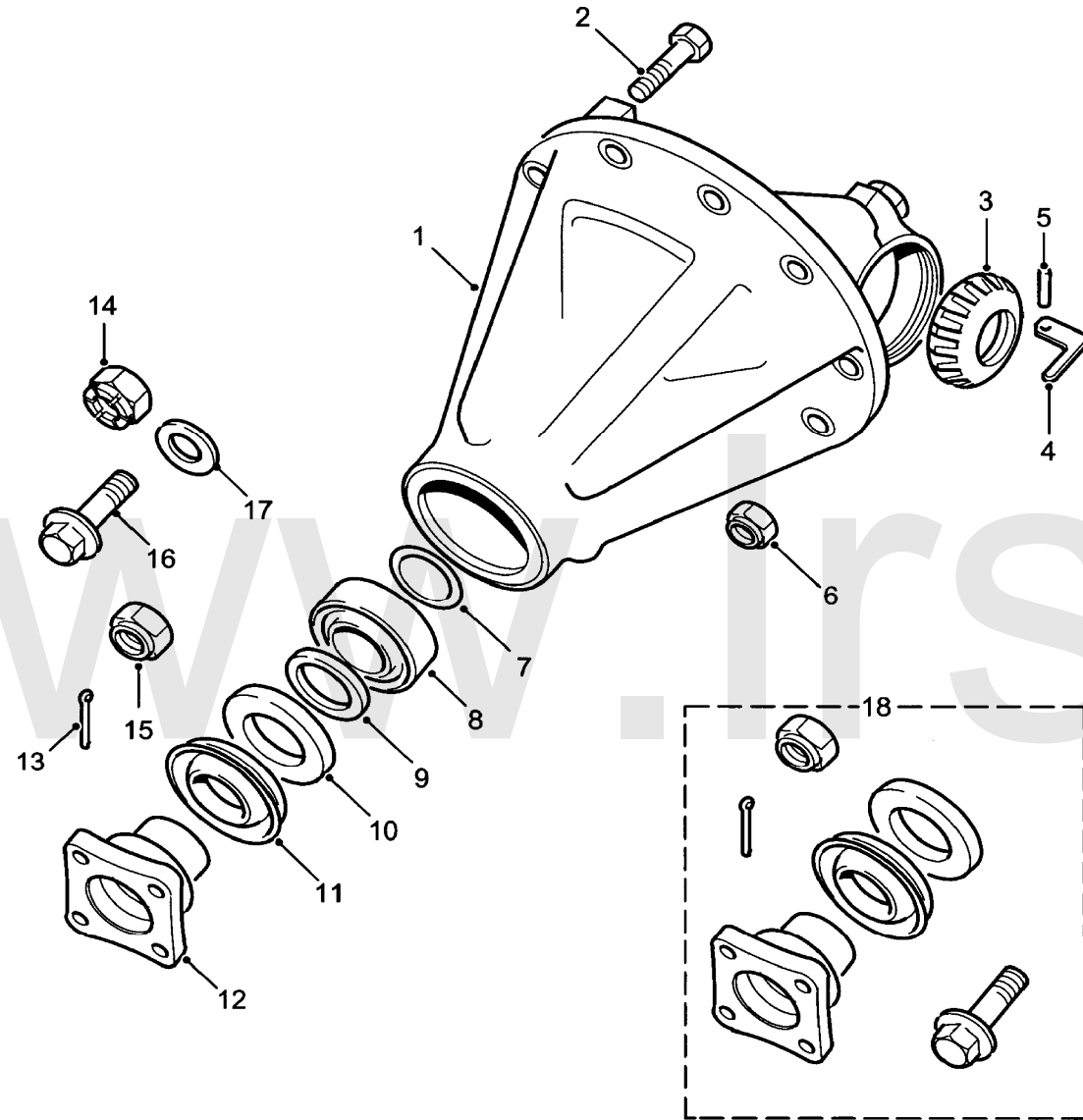
Axles & Suspension  
Front Axle  
Differential Front

Callout	Name	Application	Remarks & Restrictions	Service No.	Qty
6	Nut - Hex.	Change point - Axle begin 43L18580, Change point - Axle end 43L99999	Also serviced as part of a kit, hexagonal head, 3/8, UNF, nyloc	NY606041L	10
		Change point - Axle begin 71L00001, Change point - Axle end 78L99999	Also serviced as part of a kit, hexagonal head, 3/8, UNF, nyloc	NY606041L	10
7	Shim-bearing differential		2.155MM	FTC3869	X
			2.105mm	FTC3871	X
			2.055mm	FTC3873	X
			2.005mm	FTC3875	X
			1.955mm	FTC3877	X
			1.905mm	FTC3879	X
			1.855mm	FTC3881	X
			1.805mm	FTC3883	X
			1.755mm	FTC3885	X
			1.705mm	FTC3887	X
			1.655mm	FTC3889	X
	1.605mm	FTC3891	X		
	1.555mm	FTC3893	X		
	1.505mm	FTC3895	X		
8	Bearing-taper roller			539707	1
9	Spacer-pinion bearing			539745	1
10	Seal	Change point - Axle begin 71L00001A, Change point - Axle end 71L49101A	differential final drive pinion, front & rear	FRC8220	1
		Change point - Axle begin 72L00001A, Change point - Axle end 72L34502A	differential final drive pinion, front & rear	FRC8220	1
		Change point - Axle begin 74L00001A, Change point - Axle end 74L05336A	differential final drive pinion, front & rear	FRC8220	1
		Change point - Axle begin 75L00001A, Change point - Axle end 75L17519A	differential final drive pinion, front & rear	FRC8220	1
		Change point - Axle begin 76L00001A, Change point - Axle end 76L05465A	differential final drive pinion, front & rear	FRC8220	1
		Change point - Axle begin 77L00001A, Change point - Axle end 77L11316A	differential final drive pinion, front & rear	FRC8220	1
		Change point - Axle begin 78L00001A, Change point - Axle end 78L50959A	differential final drive pinion, front & rear	FRC8220	1
		Change point - Axle begin 71L49102A, Change point - Axle end 71L99999A	differential final drive pinion, front & rear	FTC5258	1
		Change point - Axle begin 72L34503A, Change point - Axle end 72L99999A	differential final drive pinion, front & rear	FTC5258	1
		Change point - Axle begin 74L05337A, Change point - Axle end 74L99999A	differential final drive pinion, front & rear	FTC5258	1
		Change point - Axle begin 75L17520A, Change point - Axle end 75L99999A	differential final drive pinion, front & rear	FTC5258	1

Axles & Suspension  
Front Axle  
Differential Front 4/7

Discovery (FA393361-WA799999)

(CAEXCE1A)



CAEXCE1A

Discovery (FA393361-WA799999)

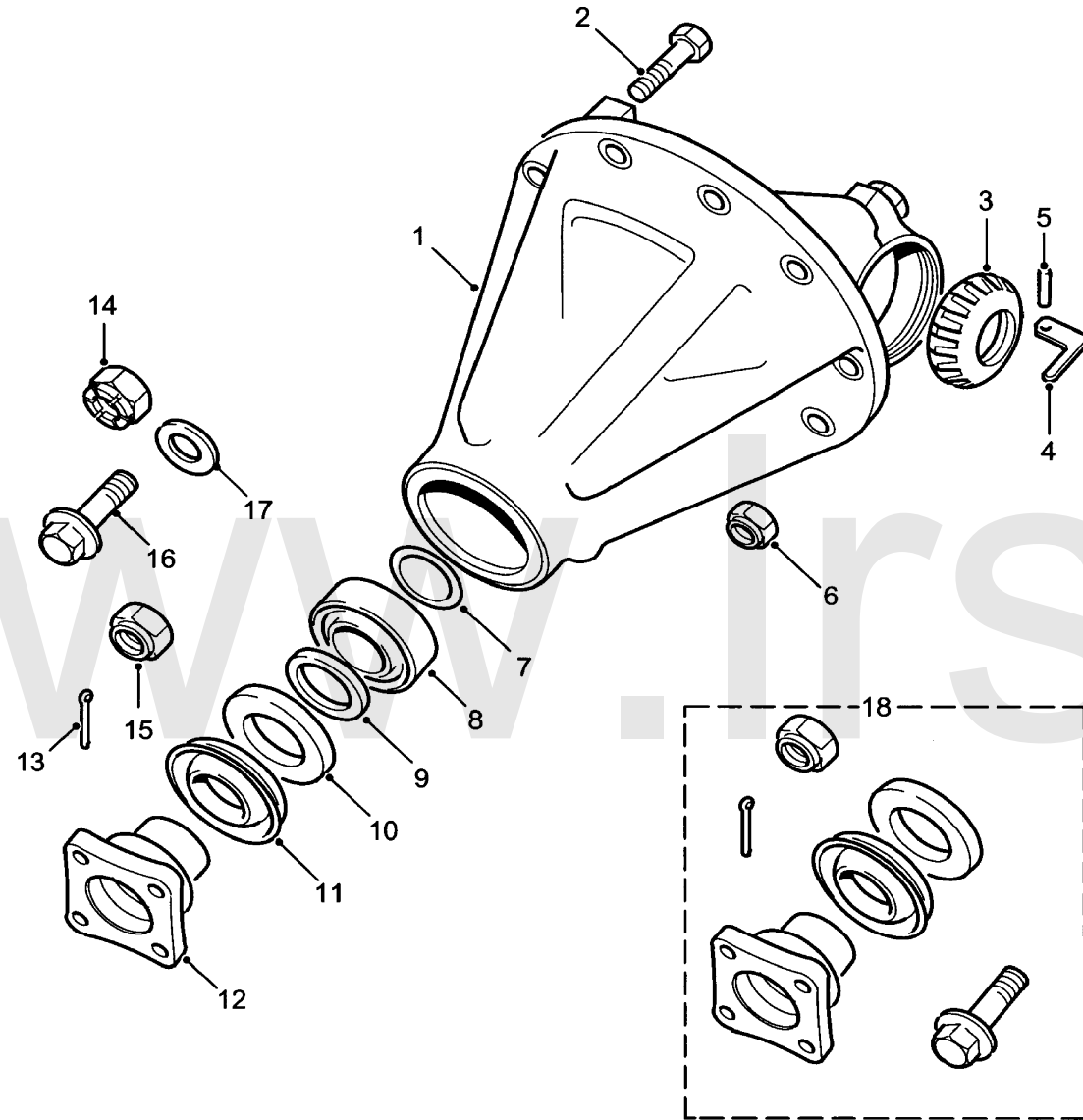
Axles & Suspension  
Front Axle  
Differential Front

Callout	Name	Application	Remarks & Restrictions	Service No.	Qty		
10	Seal	Change point - Axle begin 76L05466A, Change point - Axle end 76L99999A	differential final drive pinion, front & rear	FTC5258	1		
		Change point - Axle begin 77L11317A, Change point - Axle end 77L99999A	differential final drive pinion, front & rear	FTC5258	1		
		Change point - Axle begin 78L50960A, Change point - Axle end 78L99999A	differential final drive pinion, front & rear	FTC5258	1		
11	Mudshield-front & rear differential	Change point - Axle begin 71L00001A, Change point - Axle end 71L49101A		FRC8154	1		
		Change point - Axle begin 72L00001A, Change point - Axle end 72L34502A		FRC8154	1		
		Change point - Axle begin 74L00001A, Change point - Axle end 74L05336A		FRC8154	1		
		Change point - Axle begin 75L00001A, Change point - Axle end 75L17519A		FRC8154	1		
		Change point - Axle begin 76L00001A, Change point - Axle end 76L05465A		FRC8154	1		
		Change point - Axle begin 77L00001A, Change point - Axle end 77L11316A		FRC8154	1		
		Change point - Axle begin 78L00001A, Change point - Axle end 78L50959A		FRC8154	1		
		Change point - Axle begin 71L49102A, Change point - Axle end 71L99999A		FTC5317	1		
		Change point - Axle begin 72L34503A, Change point - Axle end 72L99999A		FTC5317	1		
		Change point - Axle begin 74L05337A, Change point - Axle end 74L99999A		FTC5317	1		
		Change point - Axle begin 75L17520A, Change point - Axle end 75L99999A		FTC5317	1		
		Change point - Axle begin 76L05466A, Change point - Axle end 76L99999A		FTC5317	1		
		Change point - Axle begin 77L11317A, Change point - Axle end 77L99999A		FTC5317	1		
		Change point - Axle begin 78L50960A, Change point - Axle end 78L99999A		FTC5317	1		
		12	Flange-driveshaft coupling differential	Change point - Axle begin 71L00001A, Change point - Axle end 71L49101A	4 bolt flange	FRC3002	1
				Change point - Axle begin 72L00001A, Change point - Axle end 72L34502A	4 bolt flange	FRC3002	1
Change point - Axle begin 74L00001A, Change point - Axle end 74L05336A	4 bolt flange			FRC3002	1		

Axles & Suspension  
Front Axle  
Differential Front 5/7

Discovery (FA393361-WA799999)

(CAEXCE1A)



CAEXCE1A

Discovery (FA393361-WA799999)

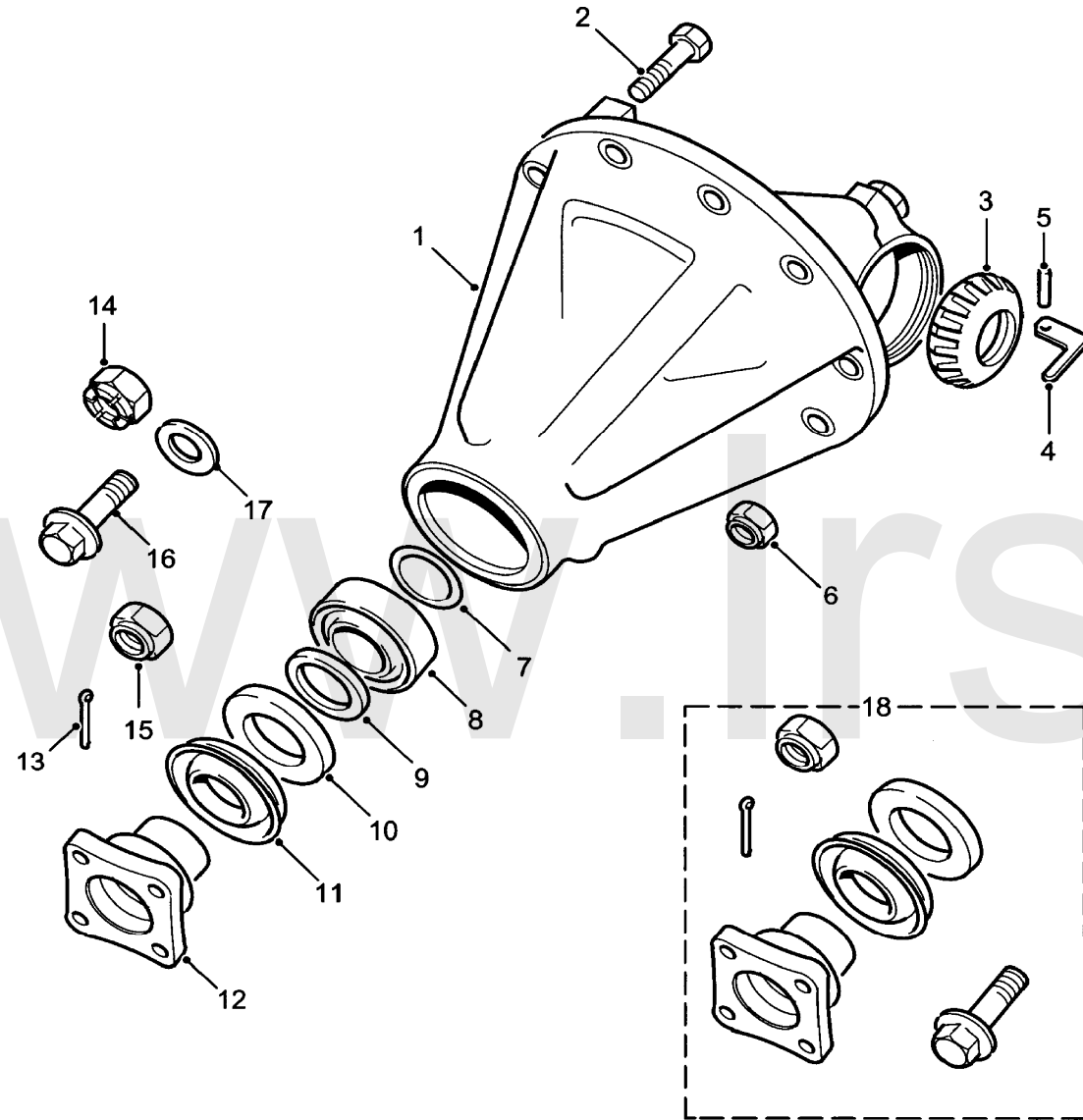
Axles & Suspension  
Front Axle  
Differential Front

Callout	Name	Application	Remarks & Restrictions	Service No.	Qty	
12	Flange-driveshaft coupling differential	Change point - Axle begin 75L00001A, Change point - Axle end 75L17519A	4 bolt flange	FRC3002	1	
		Change point - Axle begin 76L00001A, Change point - Axle end 76L05465A	4 bolt flange	FRC3002	1	
		Change point - Axle begin 77L00001A, Change point - Axle end 77L11316A	4 bolt flange	FRC3002	1	
		Change point - Axle begin 78L00001A, Change point - Axle end 78L50959A	4 bolt flange	FRC3002	1	
				FTC5322	1	
13	Pin-split	Change point - Axle begin 38L00001, Change point - Axle end 38L03120	Use on Differential Assembly FTC2750, Nut Securing Flange	PS608101L	1	
		Change point - Axle begin 39L00001, Change point - Axle end 39L05552	Use on Differential Assembly FTC2750, Nut Securing Flange	PS608101L	1	
		Change point - Axle begin 42L00001, Change point - Axle end 42L00521	Use on Differential Assembly FTC2750, Nut Securing Flange	PS608101L	1	
		Change point - Axle begin 43L00001, Change point - Axle end 43L18579	Use on Differential Assembly FTC2750, Nut Securing Flange	PS608101L	1	
				3259	1	
14	Nut-castle		Use on Differential Assembly FTC2750, Nut Securing Flange		1	
15	Nut - Hex.	Change point - Axle begin 71L00001A, Change point - Axle end 71L55169A	Use On Differential Assembly FTC3272, M16, Nut Securing Flange, hexagonal head, nyloc	NY116041L	1	
		Change point - Axle begin 72L00001A, Change point - Axle end 72L40518A	Use On Differential Assembly FTC3272, M16, Nut Securing Flange, hexagonal head, nyloc	NY116041L	1	
		Change point - Axle begin 73L00001A, Change point - Axle end 73L10454A	Use On Differential Assembly FTC3272, M16, Nut Securing Flange, hexagonal head, nyloc	NY116041L	1	
		Change point - Axle begin 74L00001A, Change point - Axle end 74L06441A	Use On Differential Assembly FTC3272, M16, Nut Securing Flange, hexagonal head, nyloc	NY116041L	1	
		Change point - Axle begin 75L00001A, Change point - Axle end 75L20434A	Use On Differential Assembly FTC3272, M16, Nut Securing Flange, hexagonal head, nyloc	NY116041L	1	
		Change point - Axle begin 76L00001A, Change point - Axle end 76L06647A	Use On Differential Assembly FTC3272, M16, Nut Securing Flange, hexagonal head, nyloc	NY116041L	1	
		Change point - Axle begin 77L00001A, Change point - Axle end 77L14993A	Use On Differential Assembly FTC3272, M16, Nut Securing Flange, hexagonal head, nyloc	NY116041L	1	
		Change point - Axle begin 78L00001A, Change point - Axle end 78L61051A	Use On Differential Assembly FTC3272, M16, Nut Securing Flange, hexagonal head, nyloc	NY116041L	1	

Axles & Suspension  
Front Axle  
Differential Front 6/7

Discovery (FA393361-WA799999)

(CAEXCE1A)



CAEXCE1A

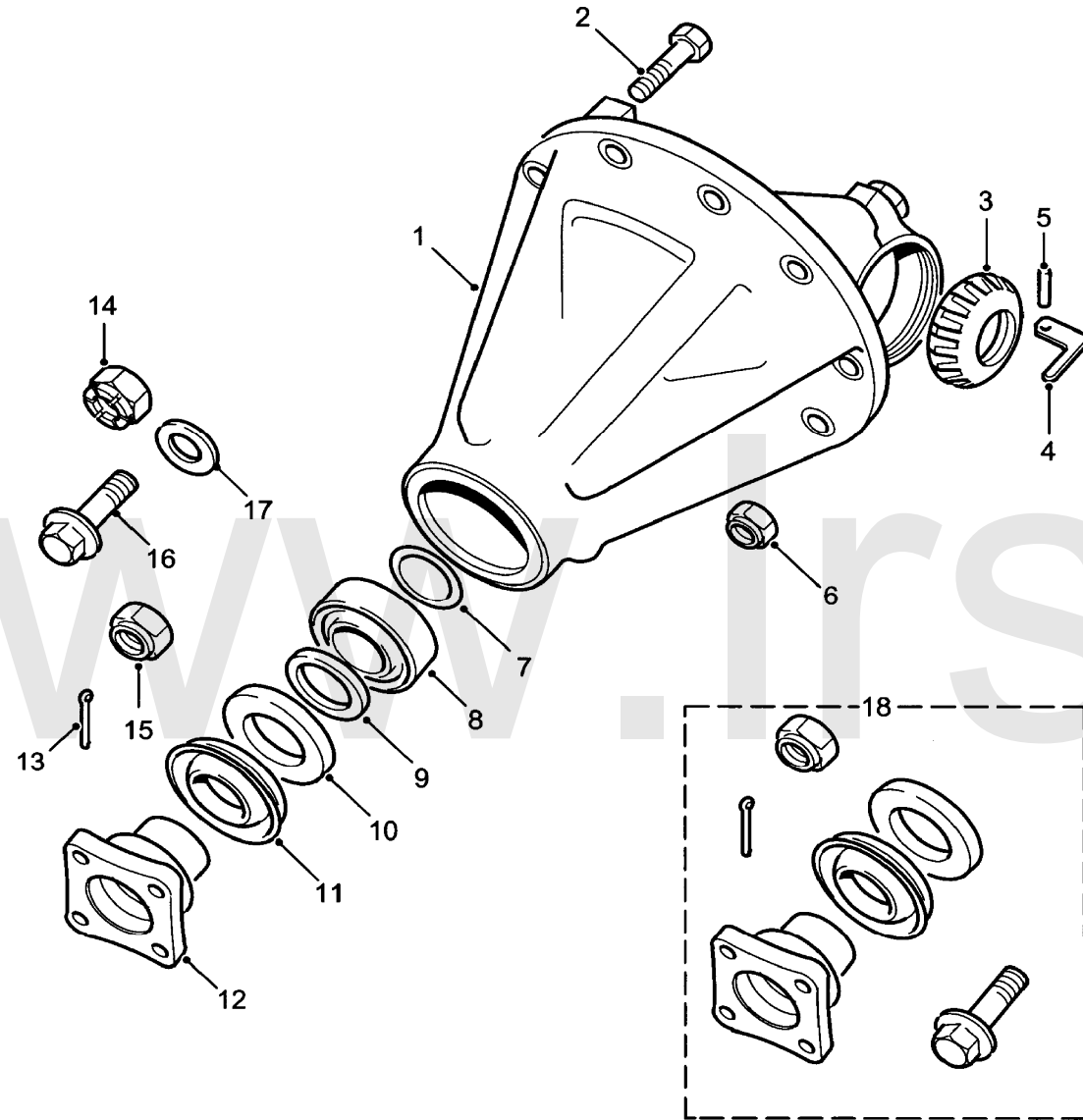
Discovery (FA393361-WA799999)

Axles & Suspension  
Front Axle  
Differential Front

Callout	Name	Application	Remarks & Restrictions	Service No.	Qty		
16	Screw-flanged head	Change point - Axle begin 71L55170A, Change point - Axle end 71L99999A	Use On Differential Assembly FTC3272, Bolt Securing Flange, M12 x 30	FS112301P	1		
		Change point - Axle begin 72L40519A, Change point - Axle end 72L99999A	Use On Differential Assembly FTC3272, Bolt Securing Flange, M12 x 30	FS112301P	1		
		Change point - Axle begin 73L10455A, Change point - Axle end 73L99999A	Use On Differential Assembly FTC3272, Bolt Securing Flange, M12 x 30	FS112301P	1		
		Change point - Axle begin 74L06442A, Change point - Axle end 74L99999A	Use On Differential Assembly FTC3272, Bolt Securing Flange, M12 x 30	FS112301P	1		
		Change point - Axle begin 75L20435A, Change point - Axle end 75L99999A	Use On Differential Assembly FTC3272, Bolt Securing Flange, M12 x 30	FS112301P	1		
		Change point - Axle begin 76L06648A, Change point - Axle end 76L99999A	Use On Differential Assembly FTC3272, Bolt Securing Flange, M12 x 30	FS112301P	1		
		Change point - Axle begin 77L14994A, Change point - Axle end 77L99999A	Use On Differential Assembly FTC3272, Bolt Securing Flange, M12 x 30	FS112301P	1		
		Change point - Axle begin 78L61052A, Change point - Axle end 78L99999A	Use On Differential Assembly FTC3272, Bolt Securing Flange, M12 x 30	FS112301P	1		
		17	Washer-Plain	Change point - Axle begin 71L00001A, Change point - Axle end 71L55169A	Nut Securing Flange	90513454	1
				Change point - Axle begin 72L00001A, Change point - Axle end 72L40518A	Nut Securing Flange	90513454	1
				Change point - Axle begin 73L00001A, Change point - Axle end 73L10454A	Nut Securing Flange	90513454	1
				Change point - Axle begin 74L00001A, Change point - Axle end 74L06441A	Nut Securing Flange	90513454	1
				Change point - Axle begin 75L00001A, Change point - Axle end 75L20434A	Nut Securing Flange	90513454	1
				Change point - Axle begin 76L00001A, Change point - Axle end 76L06647A	Nut Securing Flange	90513454	1
Change point - Axle begin 77L00001A, Change point - Axle end 77L14993A	Nut Securing Flange			90513454	1		
Change point - Axle begin 78L00001A, Change point - Axle end 78L61051A	Nut Securing Flange			90513454	1		
Change point - Axle begin 71L55170A, Change point - Axle end 71L99999A	Bolt Securing Flange			FTC5413	1		
Change point - Axle begin 72L40519A, Change point - Axle end 72L99999A	Bolt Securing Flange			FTC5413	1		
Change point - Axle begin 73L10455A, Change point - Axle end 73L99999A	Bolt Securing Flange	FTC5413	1				
Change point - Axle begin 74L06442A, Change point - Axle end 74L99999A	Bolt Securing Flange	FTC5413	1				

Axles & Suspension  
Front Axle  
Differential Front 7/7

Discovery (FA393361-WA799999)  
(CAEXCE1A)



CAEXCE1A

Discovery (FA393361-WA799999)

Axles & Suspension  
Front Axle  
Differential Front

Callout	Name	Application	Remarks & Restrictions	Service No.	Qty
17	Washer-Plain	Change point - Axle begin 75L20435A, Change point - Axle end 75L99999A Change point - Axle begin 76L06648A, Change point - Axle end 76L99999A Change point - Axle begin 77L14994A, Change point - Axle end 77L99999A Change point - Axle begin 78L61052A, Change point - Axle end 78L99999A	Bolt Securing Flange Bolt Securing Flange Bolt Securing Flange Bolt Securing Flange	FTC5413 FTC5413 FTC5413 FTC5413	1 1 1 1
18	Flange & mudshield-front & rear axle			STC3722	1

Axles & Suspension  
Front Axle  
Drive Shafts 1/2

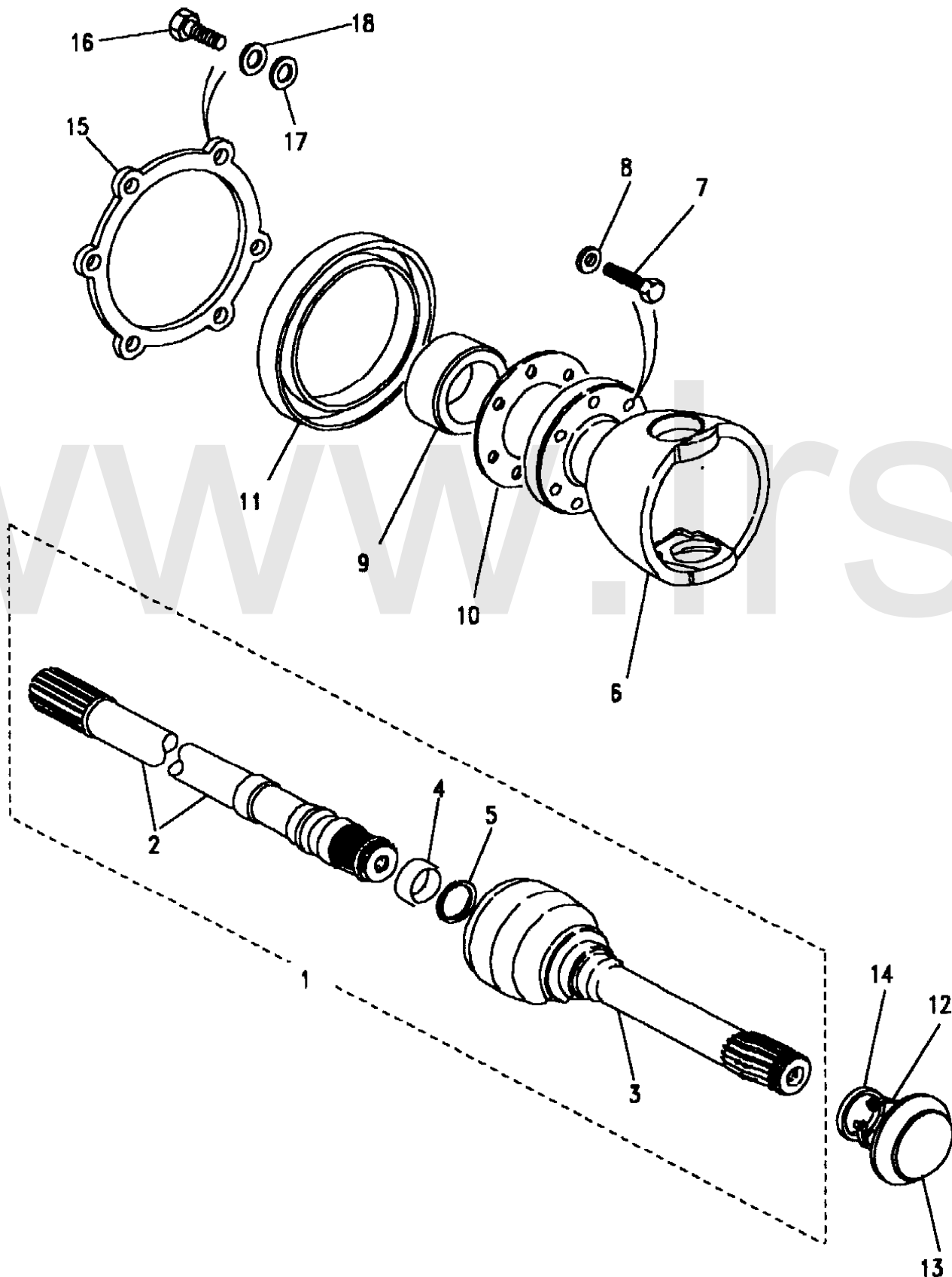
Discovery (FA393361-WA799999)

(CAEXCI2A)

Discovery (FA393361-WA799999)

Axles & Suspension  
Front Axle  
Drive Shafts

All Wheel Anti-Lock Braking System



Callout	Name	Application	Remarks & Restrictions	Service No.	Qty
1	Driveshaft-front		RH, 24 spline shaft 24 spline shaft, LH	FTC3146 FTC3147	1 1
2	Shaft-front axle half		RH LH	STC3049 STC3050	1 1
3	Joint-constant velocity			STC3051	1
4	Spacer			RTC5841	1
5	Circlip		front axle shaft to CV joint	STC579	1
6	Housing-swivel pin bearing			FRC2644 FTC5105	2 2
7	Bolt	Change point - VIN end VA729200	M10, Hexagonal	FTC3456	12
		Change point - VIN begin VA729201	M10, double hex	TYG100590	12
		Change point - VIN end VA729200	M10, Hexagonal, dowel	FTC3454	2
		Change point - VIN begin VA729201	M10, double hex, dowel	TYG100580	2
8	Washer-Plain			FRC8530	14
9	Seal-front driveshaft			FTC3276	2
10	Gasket-swivel pin bearing housing to axle case			FTC3646	2
11	Seal-swivel pin housing		9MM	FTC3401	2
12	Circlip		axle shaft to hub driving member	549473	2
13	Cap-driveshaft coupling bolt locking		Less Logo	FTC943	2
		Change point - VIN begin VA720264	with Land Rover logo	FTC5414	2
14	Shim-front axle half shaft		0.45MM 0.60MM 0.75MM 0.90mm 1.05MM 1.20MM 1.35MM 1.50MM 1.65MM	FRC6782 FRC6783 FRC6784 FRC6785 FRC6786 FRC6787 FRC6788 FRC6789 FRC6790	X X X X X X X X X
15	Plate-oil seal retainer			571755	2

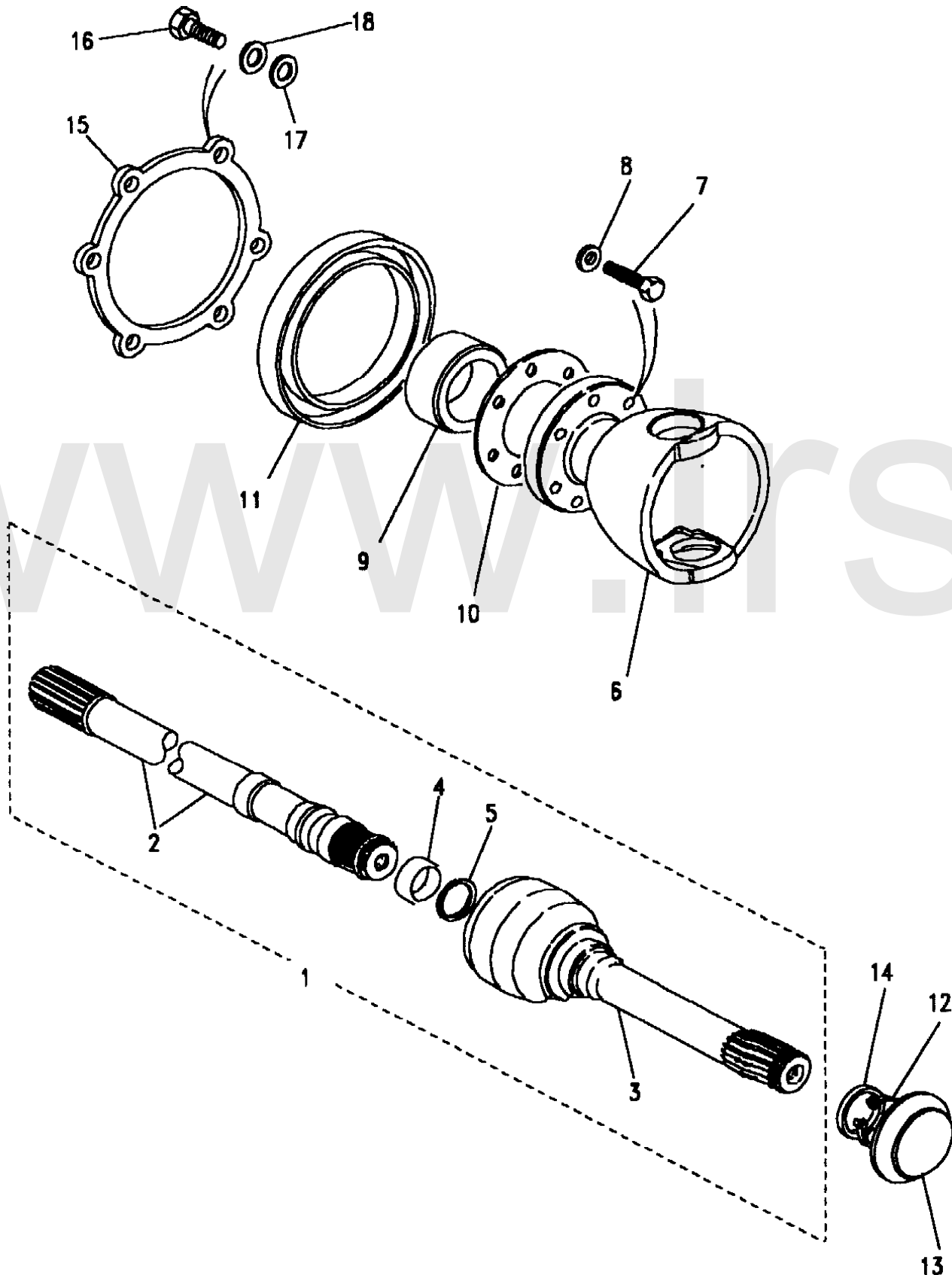
Axles & Suspension  
 Front Axle  
 Drive Shafts 2/2

Discovery (FA393361-WA799999)  
 (CAEXC12A)

Discovery (FA393361-WA799999)

Axles & Suspension  
 Front Axle  
 Drive Shafts

All Wheel Anti-Lock Braking System

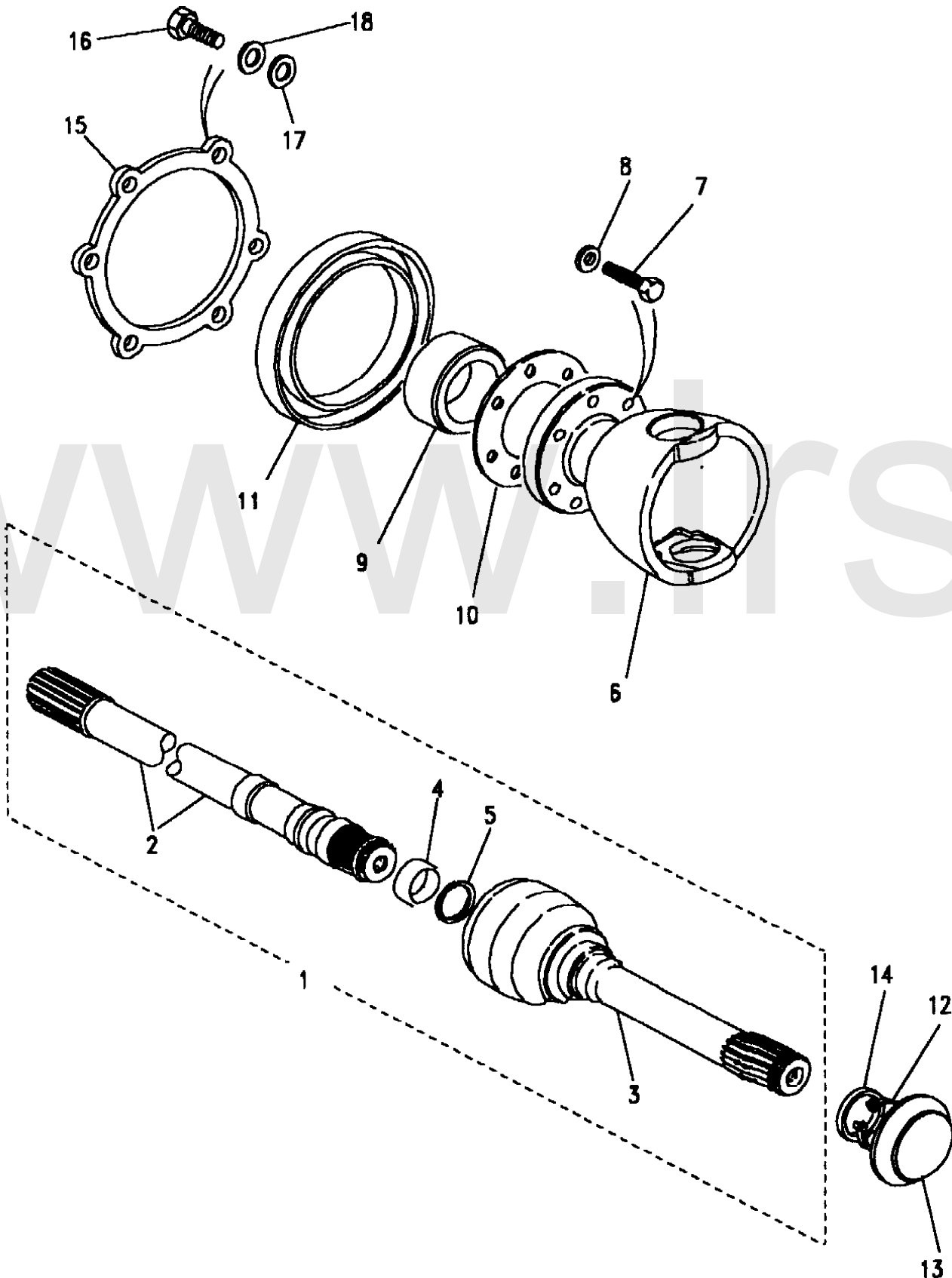


Callout	Name	Application	Remarks & Restrictions	Service No.	Qty
16	Screw		M6 X 12, Flanged Head	FS106125L	12
17	Washer-Spring		1/4 dia, Square	WM600041L	12
18	Washer		6MM	WA106041L	12

Axles & Suspension  
Front Axle  
Drive Shafts 1/5

Discovery (FA393361-WA799999)

(CAEXCI2A)

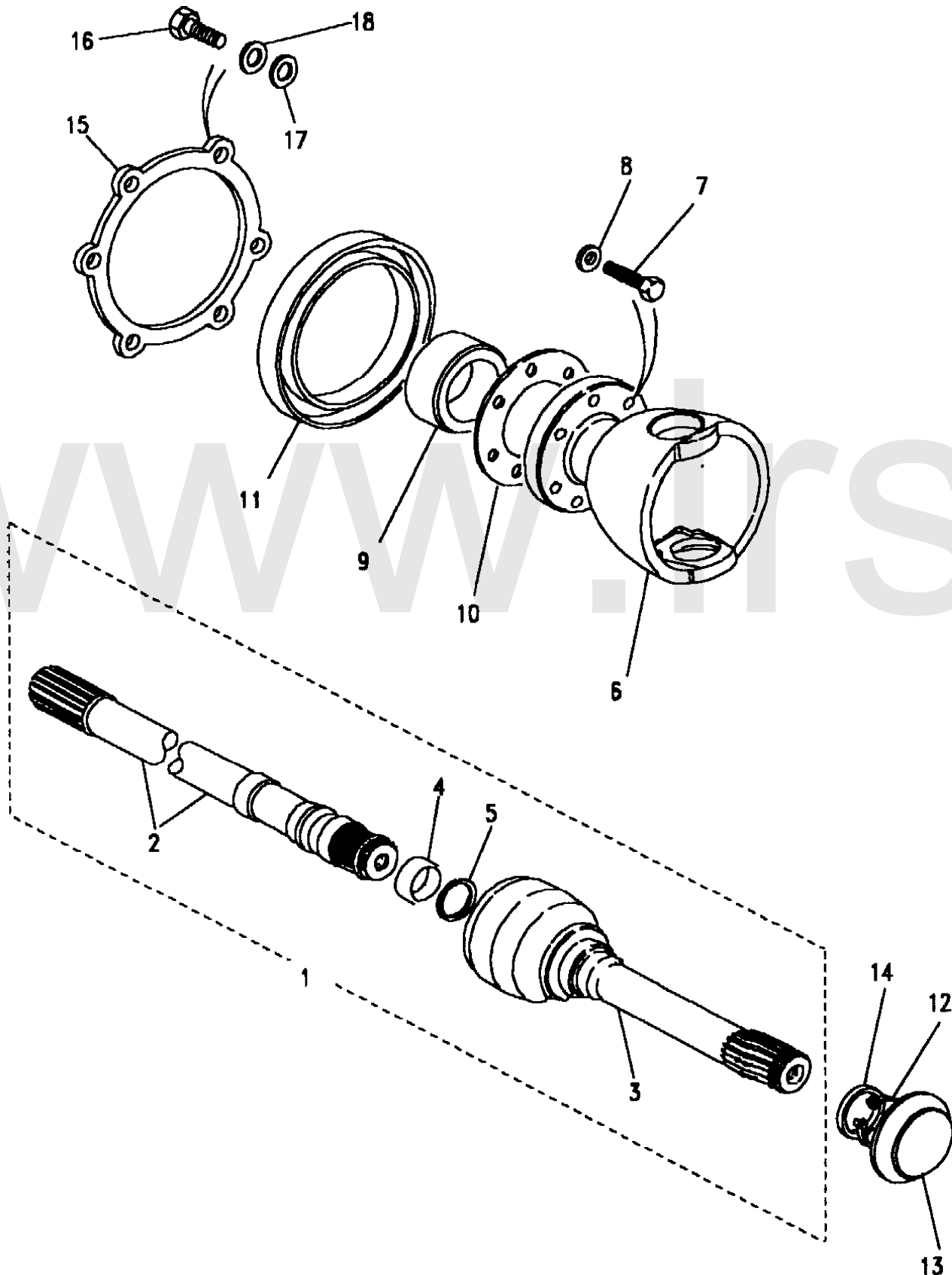


Discovery (FA393361-WA799999)

Axles & Suspension  
Front Axle  
Drive Shafts

Change point - VIN begin JA032851, Less Anti-Lock Braking System

Callout	Name	Application	Remarks & Restrictions	Service No.	Qty
1	Driveshaft-front	Change point - Axle begin 38L00001B, Change point - Axle end 38L03120B	Also serviced as part of a kit, RH, 10 spline shaft	FTC2880	1
		Change point - Axle begin 39L00001B, Change point - Axle end 39L05552B	Also serviced as part of a kit, RH, 10 spline shaft	FTC2880	1
		Change point - Axle begin 42L00001B, Change point - Axle end 42L00521B	Also serviced as part of a kit, RH, 10 spline shaft	FTC2880	1
		Change point - Axle begin 43L00001B, Change point - Axle end 43L18579B	Also serviced as part of a kit, RH, 10 spline shaft	FTC2880	1
		Change point - Axle begin 38L00001B, Change point - Axle end 38L03120B	Also serviced as part of a kit, 10 spline shaft, LH	FTC2881	1
		Change point - Axle begin 39L00001B, Change point - Axle end 39L05552B	Also serviced as part of a kit, 10 spline shaft, LH	FTC2881	1
		Change point - Axle begin 42L00001B, Change point - Axle end 42L00521B	Also serviced as part of a kit, 10 spline shaft, LH	FTC2881	1
		Change point - Axle begin 43L00001B, Change point - Axle end 43L18579B	Also serviced as part of a kit, 10 spline shaft, LH	FTC2881	1
		Change point - Axle begin 38L03121B, Change point - Axle end 38L99999B	Also serviced as part of a kit, RH, 24 spline shaft	FTC3148	1
		Change point - Axle begin 39L05553B, Change point - Axle end 39L99999B	Also serviced as part of a kit, RH, 24 spline shaft	FTC3148	1
		Change point - Axle begin 42L00522B, Change point - Axle end 42L99999B	Also serviced as part of a kit, RH, 24 spline shaft	FTC3148	1
		Change point - Axle begin 43L18580B, Change point - Axle end 43L99999B	Also serviced as part of a kit, RH, 24 spline shaft	FTC3148	1
		Change point - Axle begin 71L00001, Change point - Axle end 78L99999	Also serviced as part of a kit, RH, 24 spline shaft	FTC3148	1
			Also serviced as part of a kit, RH, 24 spline shaft	FTC3146	1
		Change point - Axle begin 38L03121B, Change point - Axle end 38L99999B	Also serviced as part of a kit, 24 spline shaft, LH	FTC3149	1
		Change point - Axle begin 39L05553B, Change point - Axle end 39L99999B	Also serviced as part of a kit, 24 spline shaft, LH	FTC3149	1
		Change point - Axle begin 42L00522B, Change point - Axle end 42L99999B	Also serviced as part of a kit, 24 spline shaft, LH	FTC3149	1
		Change point - Axle begin 43L18580B, Change point - Axle end 43L99999B	Also serviced as part of a kit, 24 spline shaft, LH	FTC3149	1
		Change point - Axle begin 71L00001, Change point - Axle end 78L99999	Also serviced as part of a kit, 24 spline shaft, LH	FTC3149	1
			Also serviced as part of a kit, 24 spline shaft, LH	FTC3147	1



Change point - VIN begin JA032851, Less Anti-Lock Braking System

Callout	Name	Application	Remarks & Restrictions	Service No.	Qty		
2	Shaft-front axle half	Change point - Axle begin 38L00001B, Change point - Axle end 38L03120B	Also serviced as part of a kit, RH	RTC6754	1		
		Change point - Axle begin 39L00001B, Change point - Axle end 39L05552B	Also serviced as part of a kit, RH	RTC6754	1		
		Change point - Axle begin 42L00001B, Change point - Axle end 42L00521B	Also serviced as part of a kit, RH	RTC6754	1		
		Change point - Axle begin 43L00001B, Change point - Axle end 43L18579B	Also serviced as part of a kit, RH	RTC6754	1		
		Change point - Axle begin 38L00001B, Change point - Axle end 38L03120B	Also serviced as part of a kit, LH	RTC6755	1		
		Change point - Axle begin 39L00001B, Change point - Axle end 39L05552B	Also serviced as part of a kit, LH	RTC6755	1		
		Change point - Axle begin 42L00001B, Change point - Axle end 42L00521B	Also serviced as part of a kit, LH	RTC6755	1		
		Change point - Axle begin 43L00001B, Change point - Axle end 43L18579B	Also serviced as part of a kit, LH	RTC6755	1		
		Change point - Axle begin 38L03121B, Change point - Axle end 38L99999B	Also serviced as part of a kit, RH	STC3049	1		
		Change point - Axle begin 39L05553B, Change point - Axle end 39L99999B	Also serviced as part of a kit, RH	STC3049	1		
		Change point - Axle begin 42L00522B, Change point - Axle end 42L99999B	Also serviced as part of a kit, RH	STC3049	1		
		Change point - Axle begin 43L18580B, Change point - Axle end 43L99999B	Also serviced as part of a kit, RH	STC3049	1		
		Change point - Axle begin 71L00001, Change point - Axle end 78L99999	Also serviced as part of a kit, RH	STC3049	1		
		Change point - Axle begin 38L03121B, Change point - Axle end 38L99999B	Also serviced as part of a kit, LH	STC3050	1		
		Change point - Axle begin 39L05553B, Change point - Axle end 39L99999B	Also serviced as part of a kit, LH	STC3050	1		
		Change point - Axle begin 42L00522B, Change point - Axle end 42L99999B	Also serviced as part of a kit, LH	STC3050	1		
		Change point - Axle begin 43L18580B, Change point - Axle end 43L99999B	Also serviced as part of a kit, LH	STC3050	1		
		Change point - Axle begin 71L00001, Change point - Axle end 78L99999	Also serviced as part of a kit, LH	STC3050	1		
		3	Joint-constant velocity	Change point - Axle begin 38L00001B, Change point - Axle end 38L03120B	10 spline shaft RH, Also serviced as part of a kit	STC3046	2
				Change point - Axle begin 39L00001B, Change point - Axle end 39L05552B	10 spline shaft RH, Also serviced as part of a kit	STC3046	2

Axles & Suspension  
Front Axle  
Drive Shafts 3/5

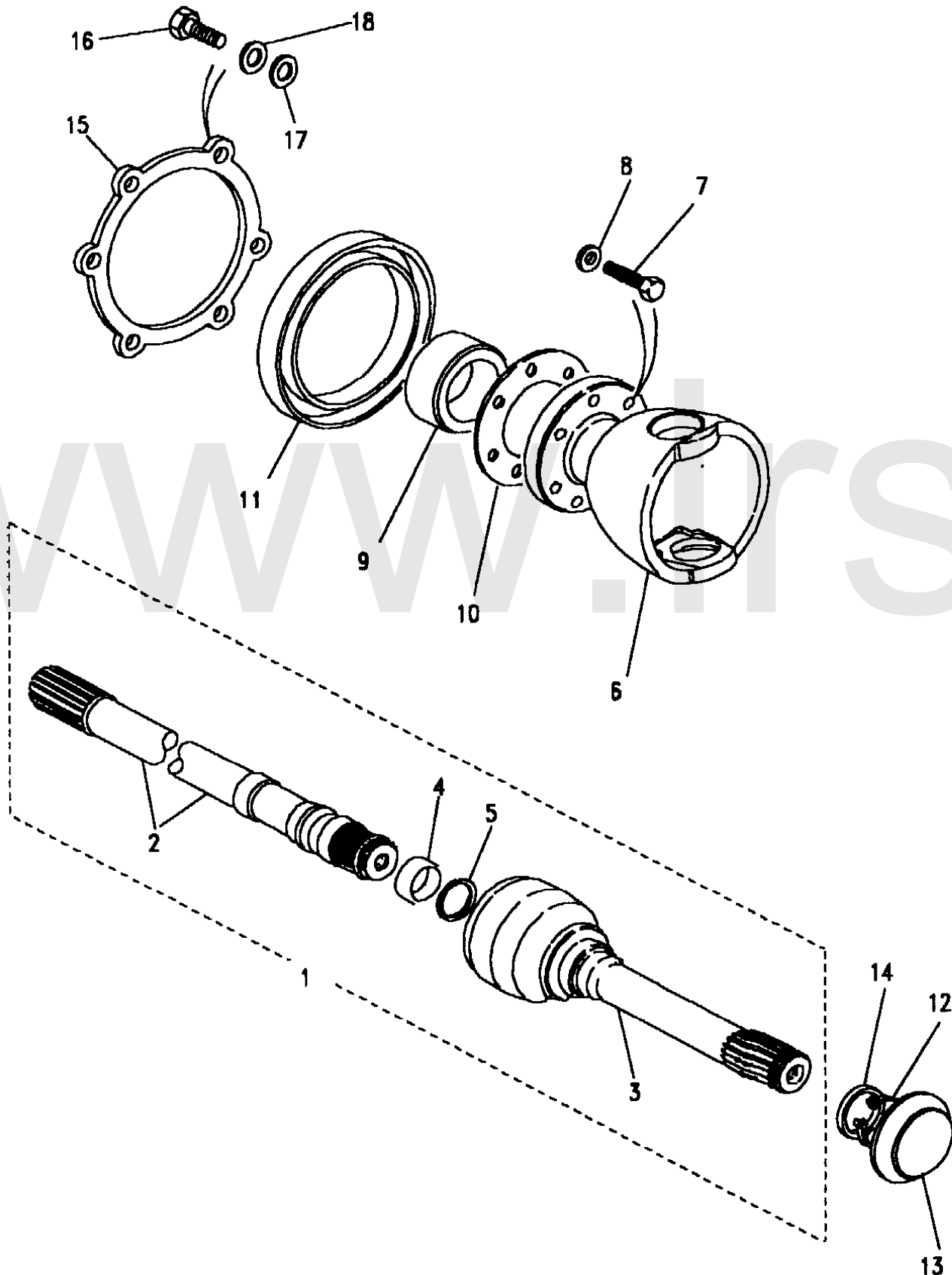
Discovery (FA393361-WA799999)

(CAEXCI2A)

Discovery (FA393361-WA799999)

Axles & Suspension  
Front Axle  
Drive Shafts

Change point - VIN begin JA032851, Less Anti-Lock Braking System



Callout	Name	Application	Remarks & Restrictions	Service No.	Qty		
3	Joint-constant velocity	Change point - Axle begin 42L00001B, Change point - Axle end 42L00521B	10 spline shaft RH, Also serviced as part of a kit	STC3046	2		
		Change point - Axle begin 43L00001B, Change point - Axle end 43L18579B	10 spline shaft RH, Also serviced as part of a kit	STC3046	2		
		Change point - Axle begin 38L03121B, Change point - Axle end 38L99999B	24 spline shaft RH, Also serviced as part of a kit	STC3051	1		
		Change point - Axle begin 39L05553B, Change point - Axle end 39L99999B	24 spline shaft RH, Also serviced as part of a kit	STC3051	1		
		Change point - Axle begin 42L00522B, Change point - Axle end 42L99999B	24 spline shaft RH, Also serviced as part of a kit	STC3051	1		
		Change point - Axle begin 43L18580B, Change point - Axle end 43L99999B	24 spline shaft RH, Also serviced as part of a kit	STC3051	1		
		Change point - Axle begin 71L00001, Change point - Axle end 78L99999	24 spline shaft RH, Also serviced as part of a kit	STC3051	1		
		4	Spacer	Change point - Axle begin 38L00001B, Change point - Axle end 38L03120B	Also serviced as part of a kit	RTC5841	2
				Change point - Axle begin 39L00001B, Change point - Axle end 39L05552B	Also serviced as part of a kit	RTC5841	2
				Change point - Axle begin 42L00001B, Change point - Axle end 42L00521B	Also serviced as part of a kit	RTC5841	2
Change point - Axle begin 43L00001B, Change point - Axle end 43L18579B	Also serviced as part of a kit			RTC5841	2		
Change point - Axle begin 38L03121B, Change point - Axle end 38L99999B	Also serviced as part of a kit			RTC5841	1		
Change point - Axle begin 39L05553B, Change point - Axle end 39L99999B	Also serviced as part of a kit			RTC5841	1		
Change point - Axle begin 42L00522B, Change point - Axle end 42L99999B	Also serviced as part of a kit			RTC5841	1		
Change point - Axle begin 43L18580B, Change point - Axle end 43L99999B	Also serviced as part of a kit			RTC5841	1		
Change point - Axle begin 71L00001, Change point - Axle end 78L99999	Also serviced as part of a kit			RTC5841	1		
5	Circlip			Change point - Axle begin 38L00001B, Change point - Axle end 38L03120B	front axle shaft to CV joint, Also serviced as part of a kit	STC579	1
		Change point - Axle begin 39L00001B, Change point - Axle end 39L05552B	front axle shaft to CV joint, Also serviced as part of a kit	STC579	1		
		Change point - Axle begin 42L00001B, Change point - Axle end 42L00521B	front axle shaft to CV joint, Also serviced as part of a kit	STC579	1		

Axles & Suspension  
Front Axle  
Drive Shafts 4/5

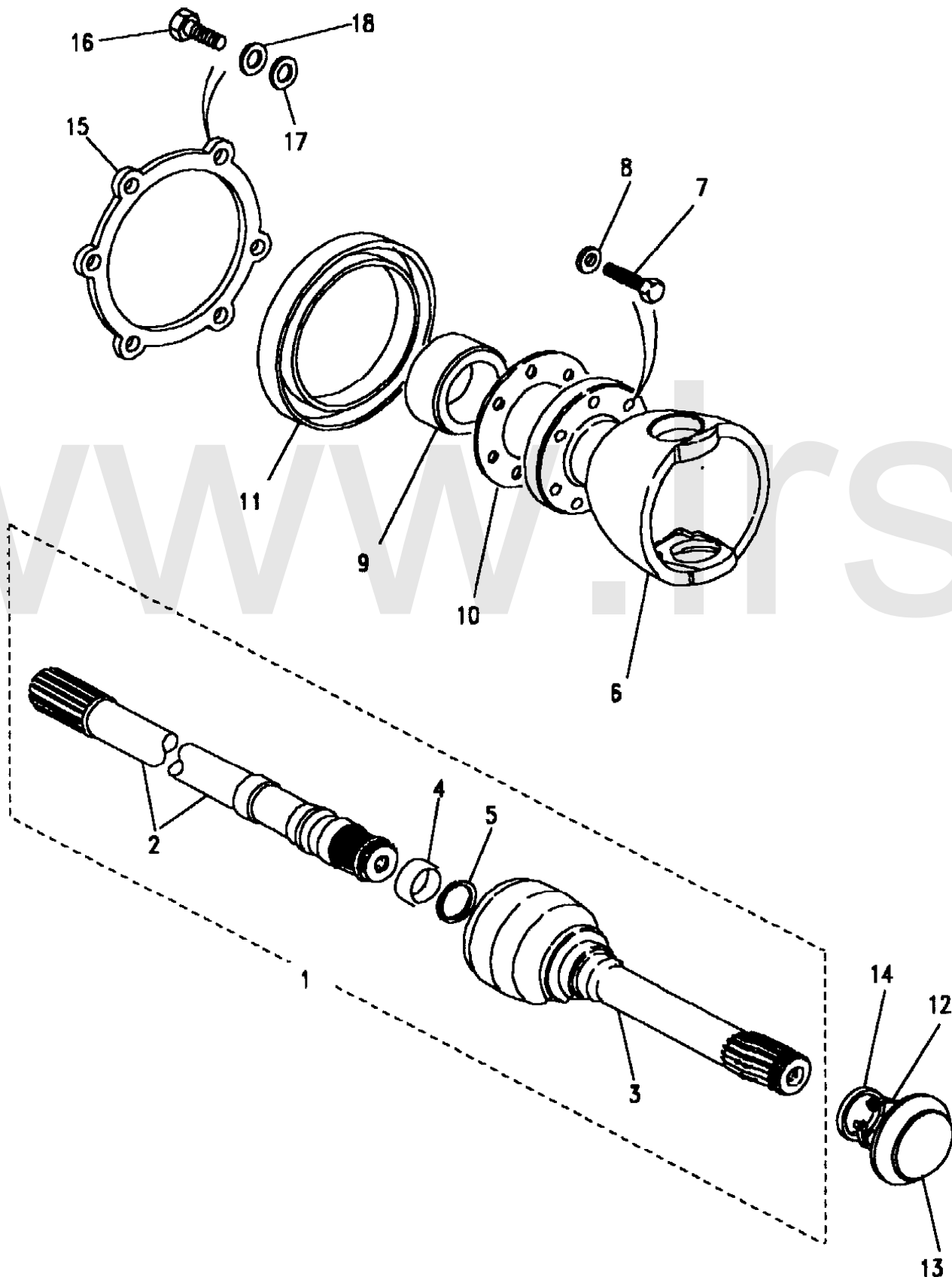
Discovery (FA393361-WA799999)

(CAEXC12A)

Discovery (FA393361-WA799999)

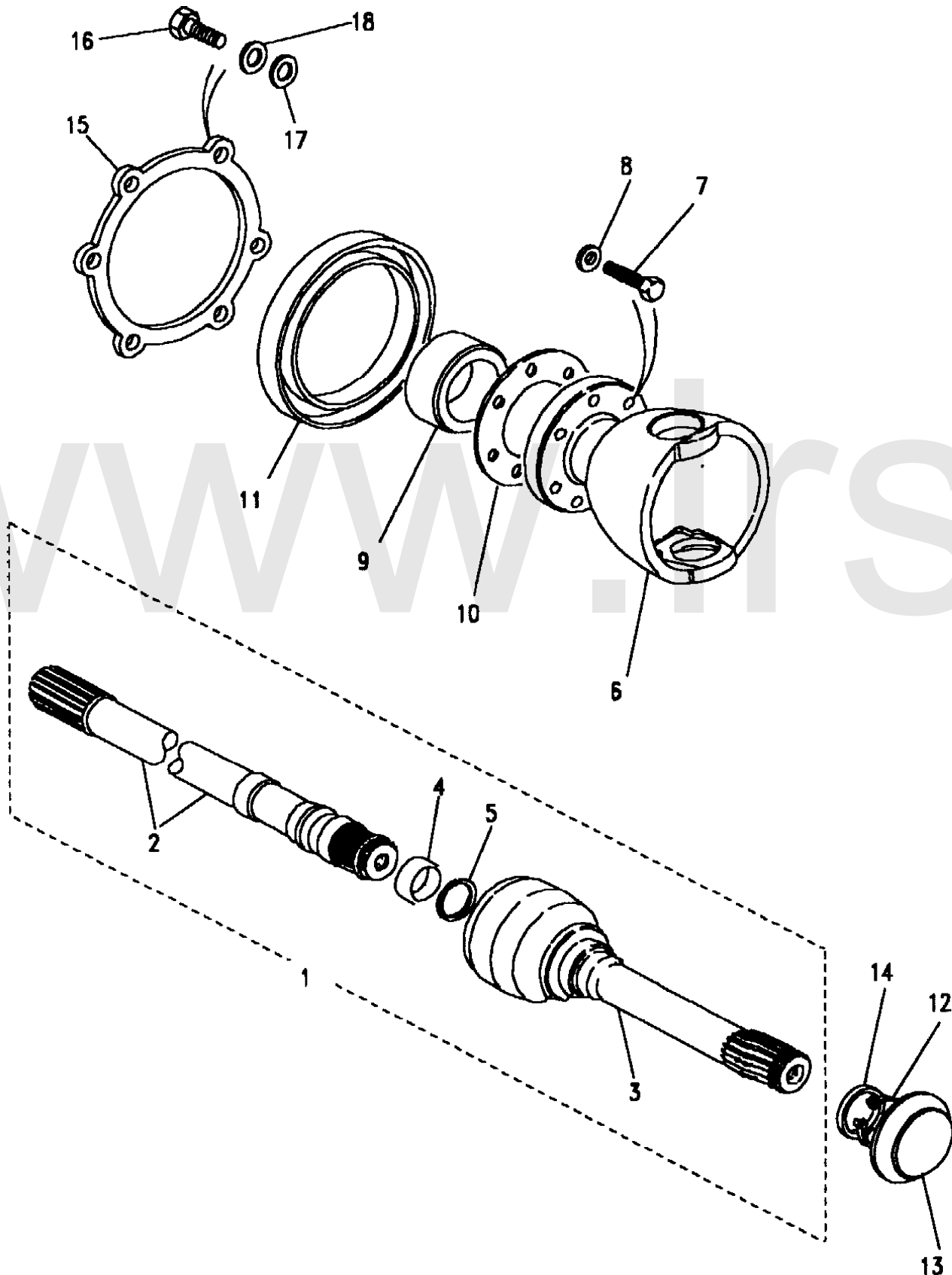
Axles & Suspension  
Front Axle  
Drive Shafts

Change point - VIN begin JA032851, Less Anti-Lock Braking System



Callout	Name	Application	Remarks & Restrictions	Service No.	Qty
5	Circlip	Change point - Axle begin 43L00001B, Change point - Axle end 43L18579B	front axle shaft to CV joint, Also serviced as part of a kit	STC579	1
6	Housing-swivel pin bearing			FRC7065	2
7	Bolt	Change point - VIN end VA729200 Change point - VIN begin VA729201 Change point - VIN end VA729200 Change point - VIN begin VA729201	M10, Hexagonal M10, double hex M10, Hexagonal, dowel M10, double hex, dowel	FTC3456 TYG100590 FTC3454 TYG100580	12 12 2 2
8	Washer-Plain			FRC8530	14
9	Seal-front driveshaft	Change point - Axle begin 38L00001B, Change point - Axle end 38L03120B Change point - Axle begin 39L00001B, Change point - Axle end 39L05552B Change point - Axle begin 42L00001B, Change point - Axle end 42L00521B Change point - Axle begin 43L00001B, Change point - Axle end 43L18579B Change point - Axle begin 38L03121B, Change point - Axle end 38L99999B Change point - Axle begin 39L05553B, Change point - Axle end 39L99999B Change point - Axle begin 42L00522B, Change point - Axle end 42L99999B Change point - Axle begin 43L18580B, Change point - Axle end 43L99999B Change point - Axle begin 71L00001, Change point - Axle end 78L99999		571718 571718 571718 571718 FTC3276 FTC3276 FTC3276 FTC3276 FTC3276 FTC3276	2 2 2 2 2 2 2 2 2 2
10	Gasket-swivel pin bearing housing to axle case			FTC3646	2
11	Seal-swivel pin housing		9MM	FTC3401	2
12	Circlip		axle shaft to hub driving member	549473	2
13	Cap-driveshaft coupling bolt locking	Change point - VIN end VA720263 Change point - VIN begin VA720264	Less Logo with Land Rover logo	FTC943 FTC5414	2 2

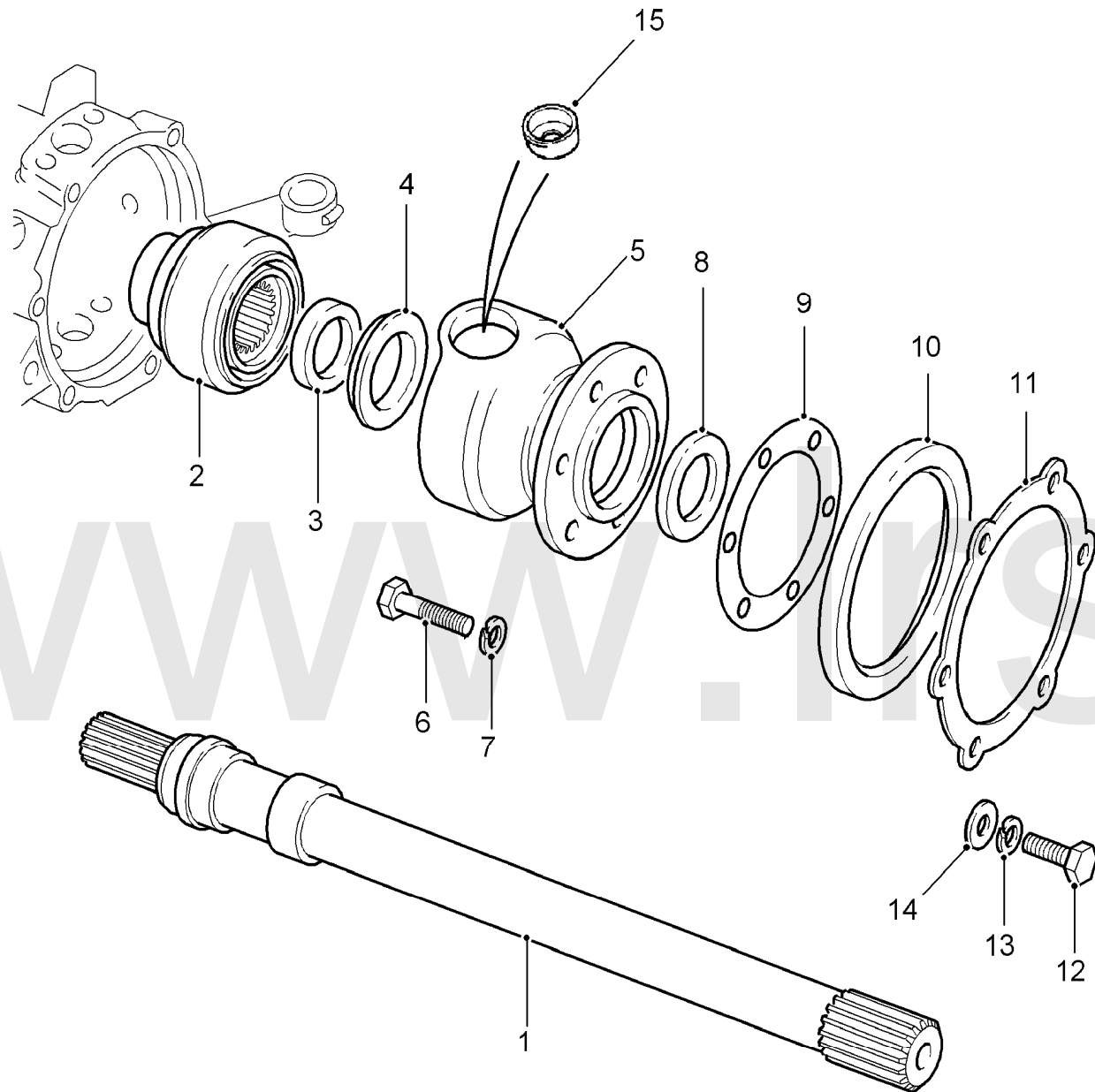
Change point - VIN begin JA032851, Less Anti-Lock Braking System



Callout	Name	Application	Remarks & Restrictions	Service No.	Qty
14	Shim-front axle half shaft		0.45MM	FRC6782	X
			0.60MM	FRC6783	X
			0.75MM	FRC6784	X
			0.90mm	FRC6785	X
			1.05MM	FRC6786	X
			1.20MM	FRC6787	X
			1.35MM	FRC6788	X
			1.50MM	FRC6789	X
			1.65MM	FRC6790	X
			15	Plate-oil seal retainer	
16	Screw		M6 X 12, Flanged Head	FS106125L	12
17	Washer-Spring		1/4 dia, Square	WM600041L	12
18	Washer		6MM	WA106041L	12

www.rservice.ru

Change point - VIN end JA032850, Less Anti-Lock Braking System



Callout	Name	Application	Remarks & Restrictions	Service No.	Qty
1	Shaft-front axle half		Also serviced as part of a kit, RH Also serviced as part of a kit, LH	RTC5840 RTC5842	1 1
2	Joint-constant velocity		Also serviced as part of a kit	RTC5843	2
3	Spacer		Also serviced as part of a kit	RTC5841	2
4	Sleeve			571822	2
5	Housing-swivel pin bearing			FRC7065	2
6	Bolt		M10, Hexagonal M10, Hexagonal, dowel	FTC3456 FTC3454	12 2
7	Washer-Plain			FRC8530	14
8	Seal-front driveshaft			571718	2
9	Gasket-swivel pin bearing housing to axle case			FTC3646	2
10	Seal-swivel pin housing		12.5MM 9MM	571890 FTC3401	2 2
11	Plate-oil seal retainer			571755	2
12	Bolt		1/4UNF x 9/16	255205	12
13	Washer-Spring		1/4 dia, Square	WM600041L	12
14	Washer		6MM	WA106041L	12
15	Housing			FTC125	2
[901]	Circlip		Also serviced as part of a kit	STC579	2
[902]	Shaft & joint assembly- outer		Also serviced as part of a kit, RH Also serviced as part of a kit, LH	FRC9518 FRC9519	1 1

Axles & Suspension

Discovery (FA393361-WA799999)

Front Axle

Front Axle Assembly 1/4

(CAEXCA1A)

Discovery (FA393361-WA799999)

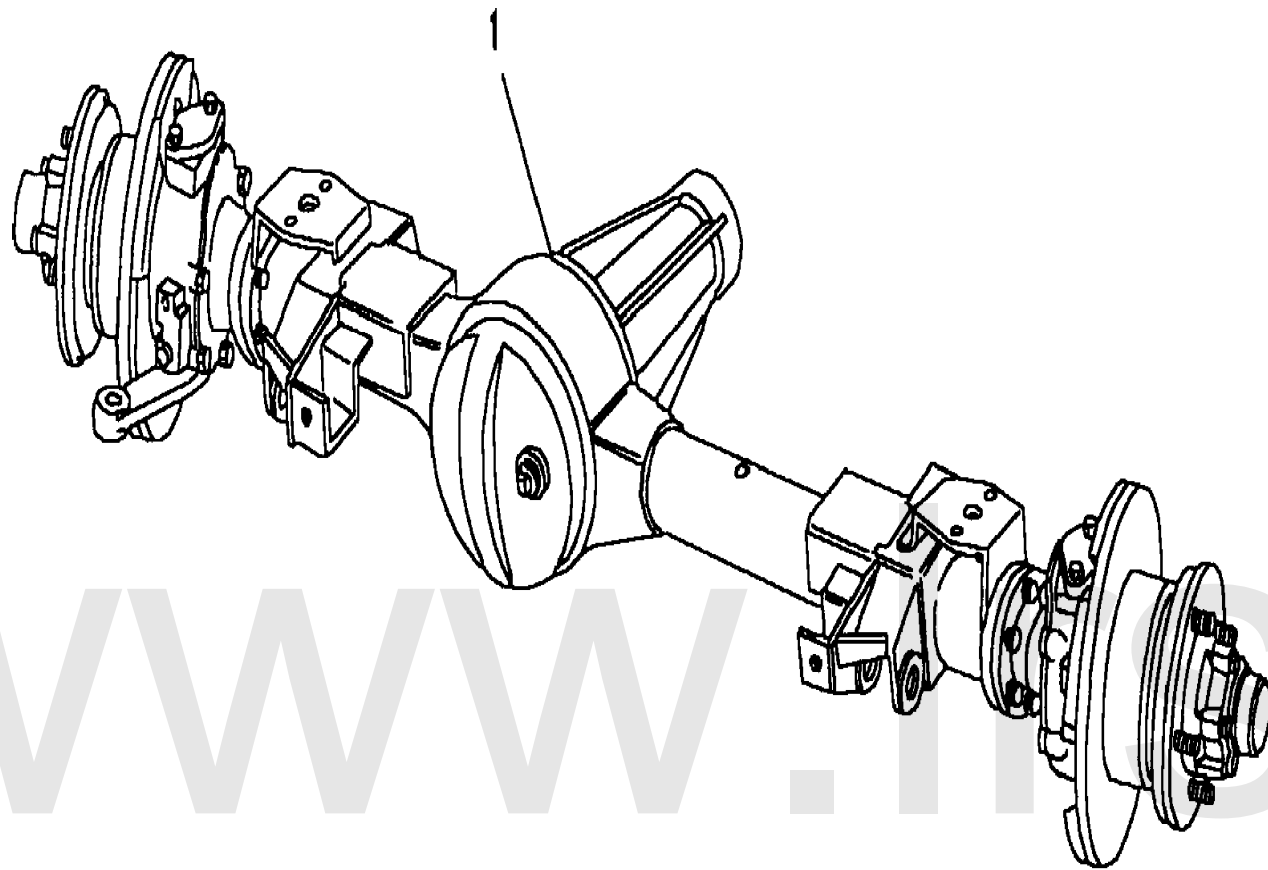
Axles & Suspension

Front Axle

Front Axle Assembly

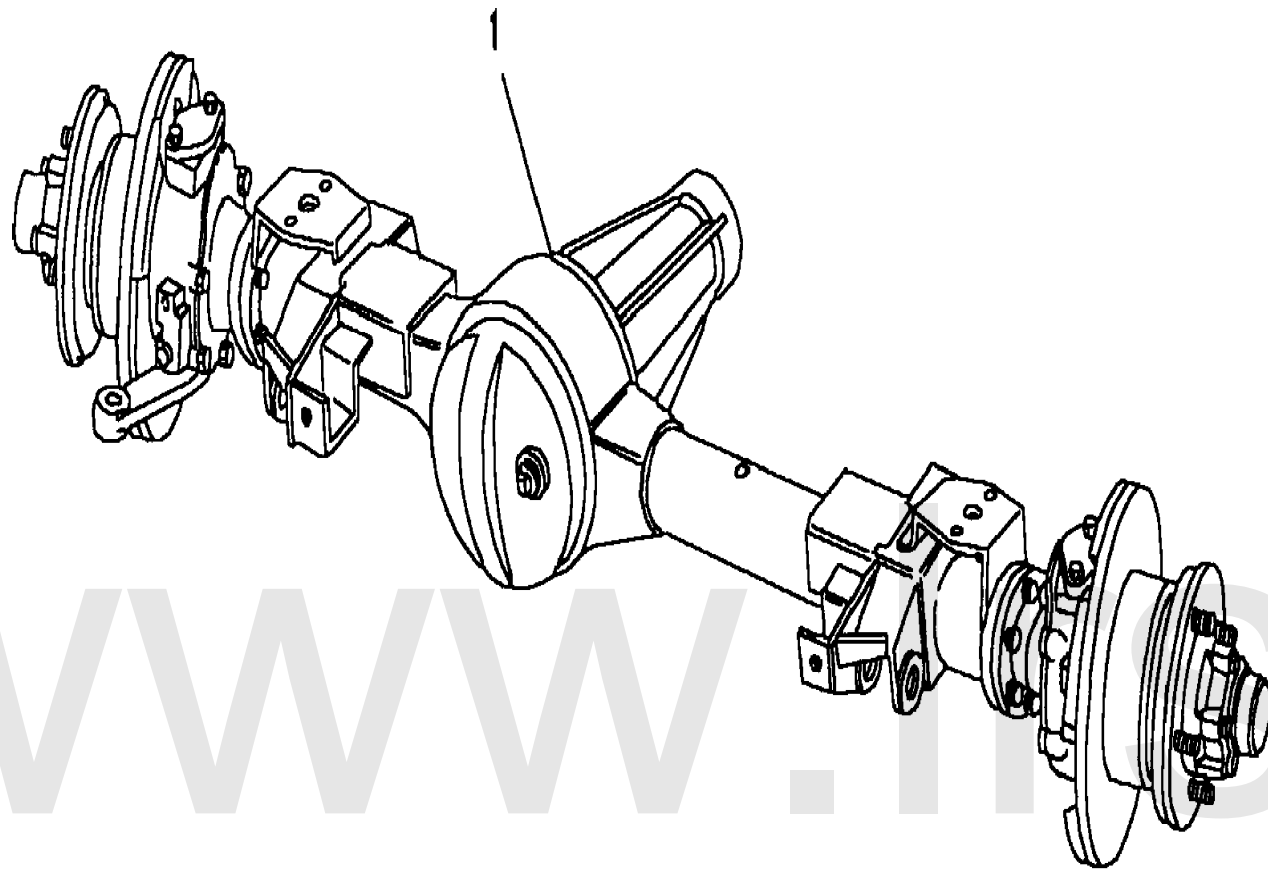
Less Air Suspension

Callout	Name	Application	Remarks & Restrictions	Service No.	Qty
1	Axle/drive unit assembly 4x4-front	Change point - Axle begin 18L00001C, Change point - Axle end 18L12348C, V8, RHD, Disc Brakes Front, Less Anti-Lock Braking System, Less Ft And Rr Vented Brake Discs		FTC664	1
		Change point - Axle begin 18L12349C, Change point - Axle end 18L99999C, V8, RHD, Disc Brakes Front, Less Anti-Lock Braking System, Less Ft And Rr Vented Brake Discs		FTC3077	1
		Change point - Axle begin 19L00001C, Change point - Axle end 19L13729C, V8, LHD, Disc Brakes Front, Less Anti-Lock Braking System, Less Ft And Rr Vented Brake Discs		FTC665	1
		Change point - Axle begin 19L13730C, Change point - Axle end 19L99999C, V8, LHD, Disc Brakes Front, Less Anti-Lock Braking System, Less Ft And Rr Vented Brake Discs		FTC3076	1
		Change point - Axle begin 34L00001C, Change point - Axle end 34L23102C, 4 Cylinder, RHD, Disc Brakes Front, Less Anti-Lock Braking System, Less Ft And Rr Vented Brake Discs		FTC790	1
		Change point - Axle begin 34L23103C, Change point - Axle end 34L99999C, 4 Cylinder, RHD, Disc Brakes Front, Less Anti-Lock Braking System, Less Ft And Rr Vented Brake Discs		FTC3078	1
		Change point - Axle begin 35L00001C, Change point - Axle end 35L22150C, 4 Cylinder, LHD, Disc Brakes Front, Less Anti-Lock Braking System, Less Ft And Rr Vented Brake Discs		FTC791	1
		Change point - Axle begin 35L22151C, Change point - Axle end 35L99999C, 4 Cylinder, LHD, Disc Brakes Front, Less Anti-Lock Braking System, Less Ft And Rr Vented Brake Discs		FTC3079	1



Less Air Suspension

Callout	Name	Application	Remarks & Restrictions	Service No.	Qty
1	Axle/drive unit assembly 4x4-front	Change point - Axle begin 72L04675A, Change point - Axle end 72L99999A, 4 Cylinder, LHD, Disc Brakes Front, Less Anti-Lock Braking System, Less Ft And Rr Vented Brake Discs	Asbestos Free	FTC4403	1
		V8, RHD, Disc Brakes Front, Less Anti-Lock Braking System, With Front Vented Brake Discs	Asbestos Free	FTC1464	1
		V8, LHD, Disc Brakes Front, Less Anti-Lock Braking System, With Front Vented Brake Discs	Asbestos Free	FTC1465	1
		4 Cylinder, RHD, Disc Brakes Front, Less Anti-Lock Braking System, With Front Vented Brake Discs	Asbestos Free	FTC1466	1
		4 Cylinder, LHD, Disc Brakes Front, Less Anti-Lock Braking System, With Front Vented Brake Discs	Asbestos Free	FTC1467	1
		Change point - Axle begin 38L02987C, Change point - Axle end 38L99999C, V8, RHD, Disc Brakes Front, Less Anti-Lock Braking System, Less Ft And Rr Vented Brake Discs	Asbestos Free	FTC3237	1
		Change point - Axle begin 73L00001A, Change point - Axle end 73L01431A, V8, RHD, Disc Brakes Front, Less Anti-Lock Braking System, Less Ft And Rr Vented Brake Discs	Asbestos Free	FTC3838	1
		Change point - Axle begin 73L01432A, Change point - Axle end 73L99999A, V8, RHD, Disc Brakes Front, Less Anti-Lock Braking System, Less Ft And Rr Vented Brake Discs	Asbestos Free	FTC4410	1
		Change point - Axle begin 39L05098C, Change point - Axle end 39L99999C, V8, LHD, Disc Brakes Front, Less Anti-Lock Braking System, Less Ft And Rr Vented Brake Discs	Asbestos Free	FTC3238	1



www.russervice.ru

Axles & Suspension

Discovery (FA393361-WA799999)

Front Axle

Front Axle Assembly 3/4

(CAEXCA1A)

Discovery (FA393361-WA799999)

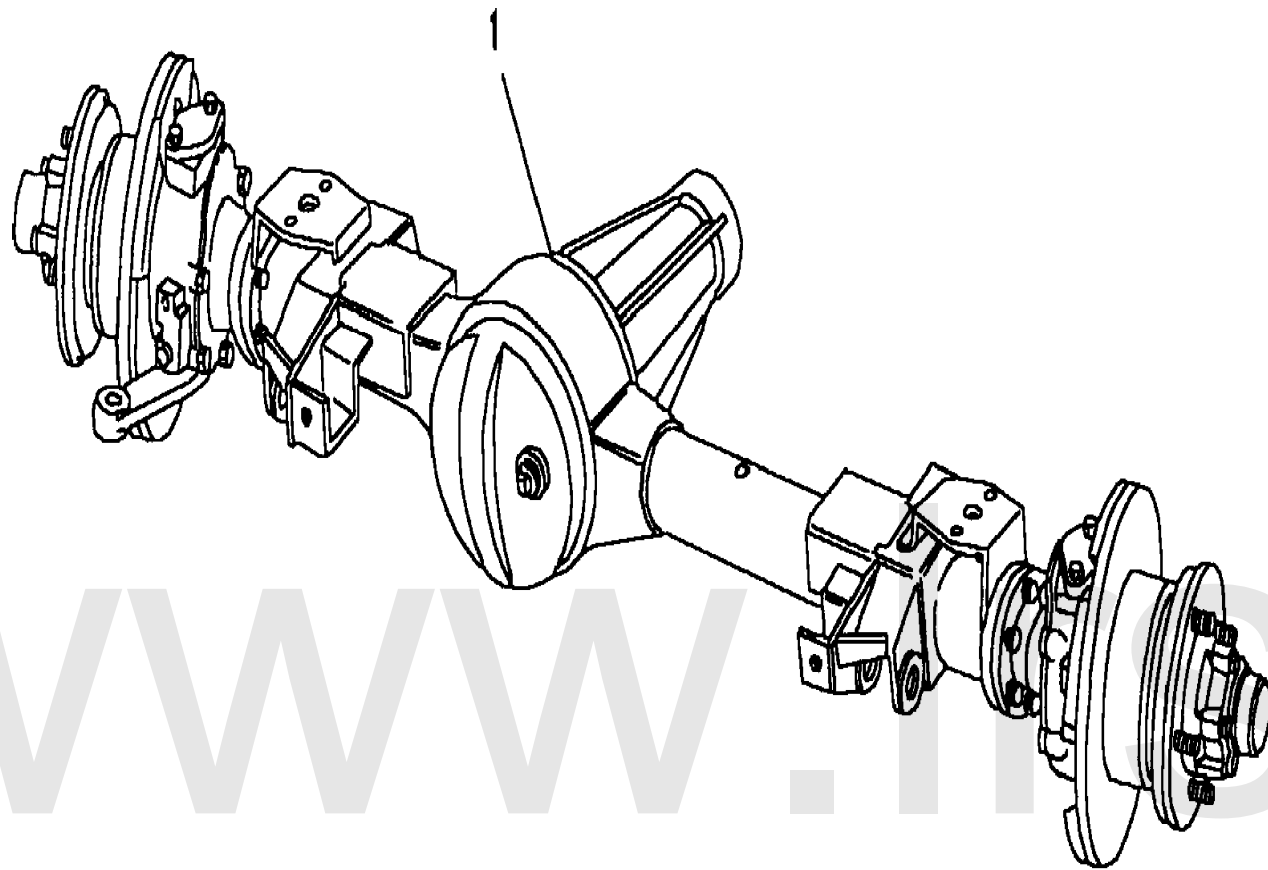
Axles & Suspension

Front Axle

Front Axle Assembly

Less Air Suspension

Callout	Name	Application	Remarks & Restrictions	Service No.	Qty
1	Axle/drive unit assembly 4x4-front	Change point - Axle begin 74L00001A, Change point - Axle end 74L00535A, V8, LHD, Disc Brakes Front, Less Anti-Lock Braking System, Less Ft And Rr Vented Brake Discs	Asbestos Free	FTC3839	1
		Change point - Axle begin 74L00563A, Change point - Axle end 74L99999A, V8, LHD, Disc Brakes Front, Less Anti-Lock Braking System, Less Ft And Rr Vented Brake Discs	Asbestos Free	FTC4411	1
		Change point - Axle begin 42L00003A, Change point - Axle end 42L99999A, 4 Cylinder, RHD, Disc Brakes Front, Less Anti-Lock Braking System, Less Ft And Rr Vented Brake Discs	Asbestos Free	FTC3235	1
		Change point - Axle begin 71L00001A, Change point - Axle end 71L06549A, 4 Cylinder, RHD, Disc Brakes Front, Less Anti-Lock Braking System, Less Ft And Rr Vented Brake Discs	Asbestos Free	FTC3840	1
		Change point - Axle begin 71L06550A, Change point - Axle end 71L99999A, 4 Cylinder, RHD, Disc Brakes Front, Less Anti-Lock Braking System, Less Ft And Rr Vented Brake Discs	Asbestos Free	FTC4402	1
		Change point - Axle begin 43L16684A, Change point - Axle end 43L99999A, 4 Cylinder, LHD, Disc Brakes Front, Less Anti-Lock Braking System, Less Ft And Rr Vented Brake Discs	Asbestos Free	FTC3236	1
		Change point - Axle begin 72L00001A, Change point - Axle end 72L04674A, 4 Cylinder, LHD, Disc Brakes Front, Less Anti-Lock Braking System, Less Ft And Rr Vented Brake Discs	Asbestos Free	FTC3841	1
		Change point - Axle begin 77L00001A, Change point - Axle end 77L00873A, V8, RHD, Disc Brakes Front, All Wheel Anti-Lock Braking System, Less Ft And Rr Vented Brake Discs	Asbestos Free	FTC3404	1



www.trservice.ru

Axles & Suspension

Discovery (FA393361-WA799999)

Front Axle

Front Axle Assembly 4/4

(CAEXCA1A)

Discovery (FA393361-WA799999)

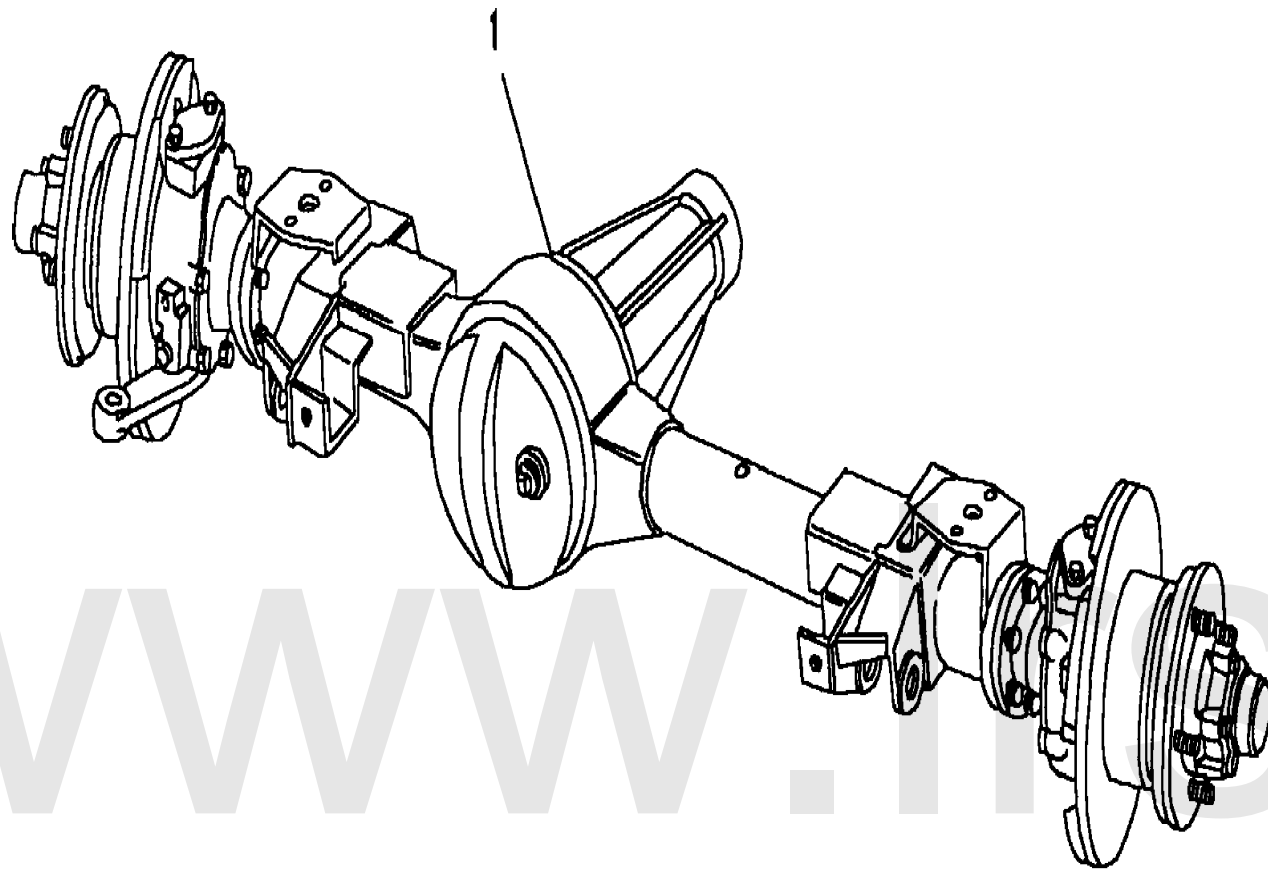
Axles & Suspension

Front Axle

Front Axle Assembly

Less Air Suspension

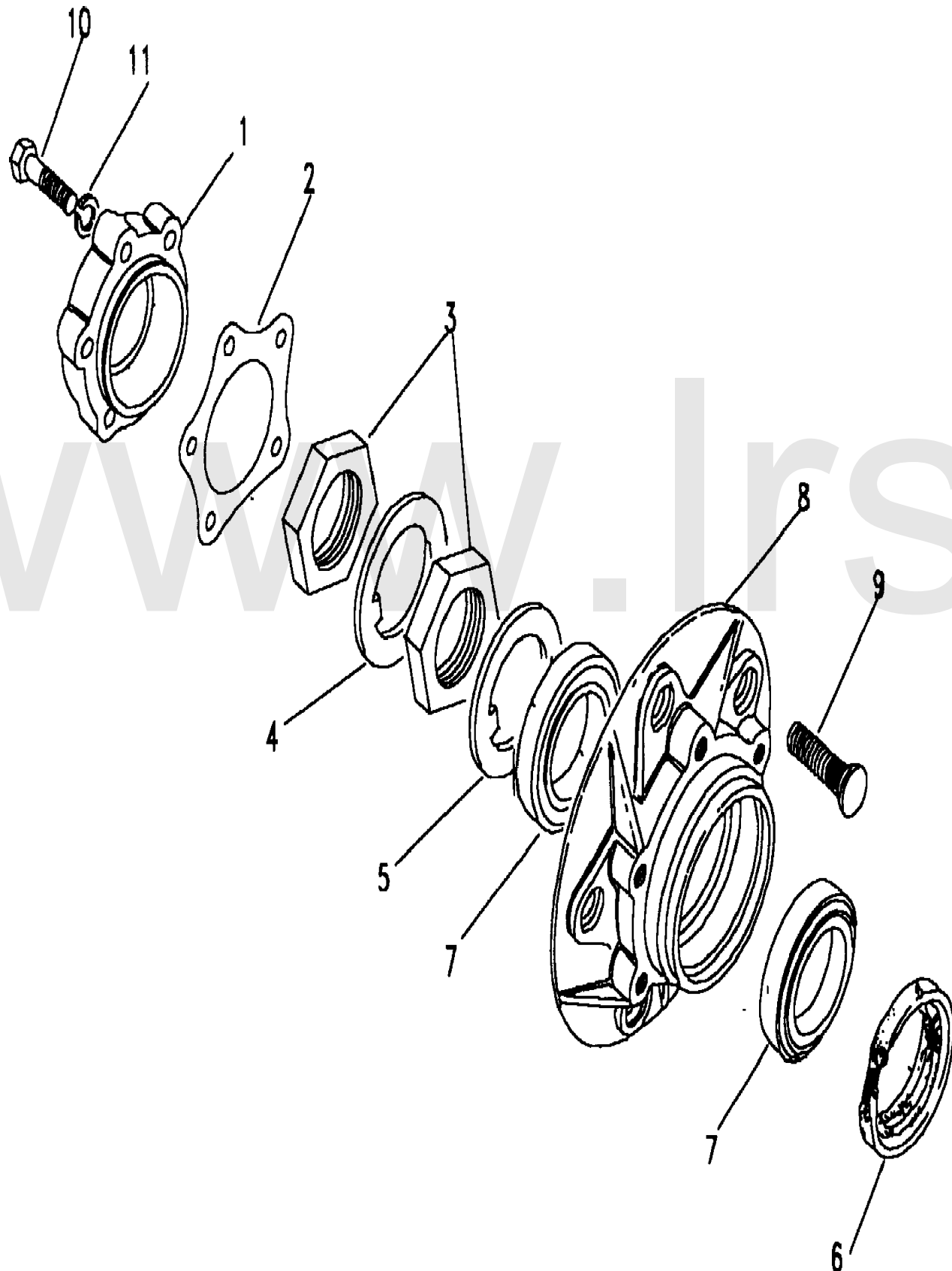
Callout	Name	Application	Remarks & Restrictions	Service No.	Qty
1	Axle/drive unit assembly 4x4-front	Change point - Axle begin 77L00874A, Change point - Axle end 77L99999A, V8, RHD, Disc Brakes Front, All Wheel Anti-Lock Braking System, Less Ft And Rr Vented Brake Discs	Asbestos Free	FTC4408	1
		Change point - Axle begin 78L00001A, Change point - Axle end 78L03270A, V8, LHD, Disc Brakes Front, All Wheel Anti-Lock Braking System, Less Ft And Rr Vented Brake Discs	Asbestos Free	FTC3405	1
		Change point - Axle begin 78L03271A, Change point - Axle end 78L99999A, V8, LHD, Disc Brakes Front, All Wheel Anti-Lock Braking System, Less Ft And Rr Vented Brake Discs	Asbestos Free	FTC4409	1
		Change point - Axle begin 75L00001A, Change point - Axle end 75L01093A, 4 Cylinder, RHD, Disc Brakes Front, All Wheel Anti-Lock Braking System, Less Ft And Rr Vented Brake Discs	Asbestos Free	FTC3406	1
		Change point - Axle begin 75L01094A, Change point - Axle end 75L99999A, 4 Cylinder, RHD, Disc Brakes Front, All Wheel Anti-Lock Braking System, Less Ft And Rr Vented Brake Discs	Asbestos Free	FTC4400	1
		Change point - Axle begin 76L00001A, Change point - Axle end 76L00343A, 4 Cylinder, LHD, Disc Brakes Front, All Wheel Anti-Lock Braking System, Less Ft And Rr Vented Brake Discs	Asbestos Free	FTC3407	1
		Change point - Axle begin 76L00344A, Change point - Axle end 76L99999A, 4 Cylinder, LHD, Disc Brakes Front, All Wheel Anti-Lock Braking System, Less Ft And Rr Vented Brake Discs	Asbestos Free	FTC4401	1



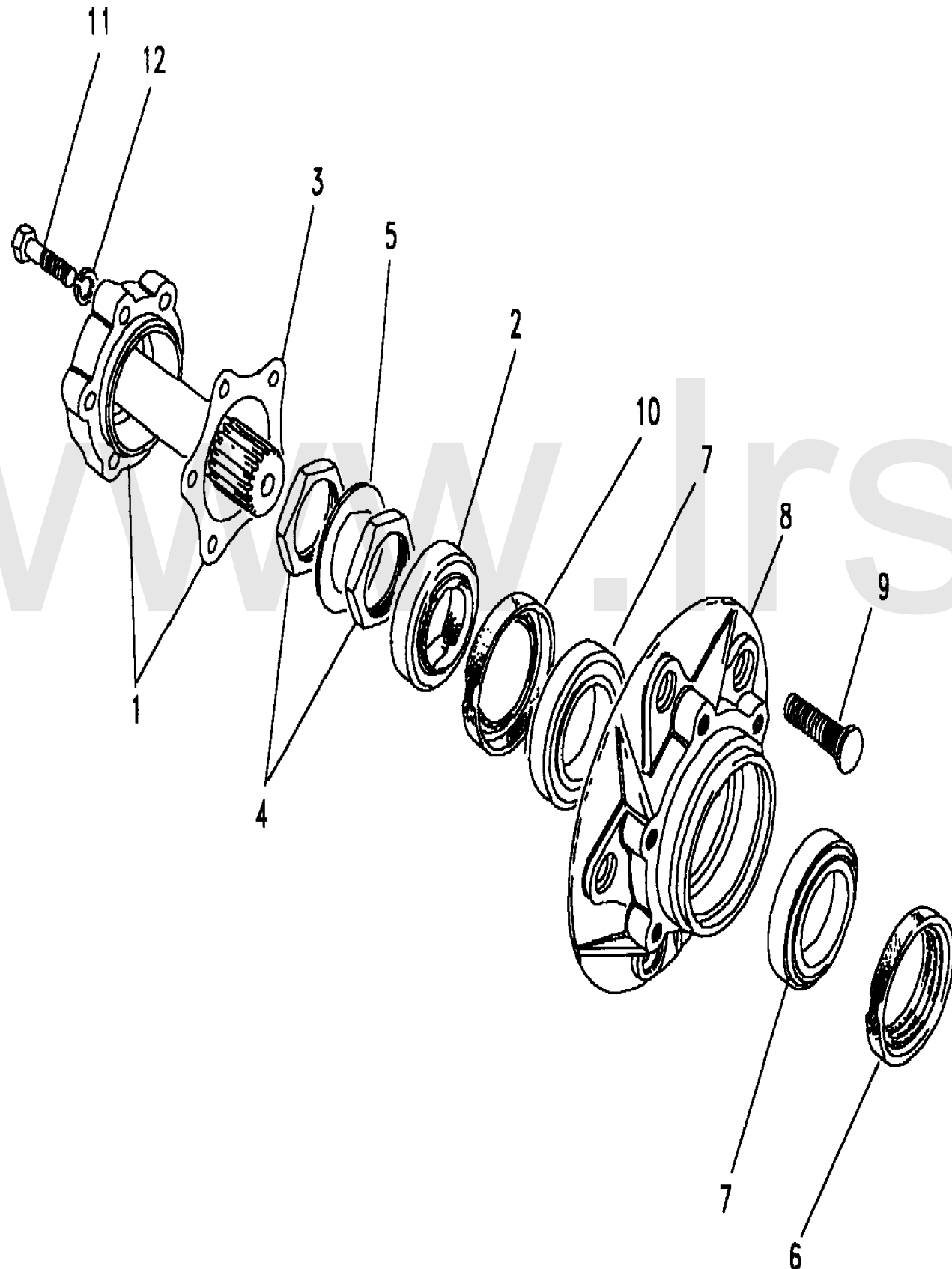
www.truse.ru

Change point - VIN begin JA032851

Callout	Name	Application	Remarks & Restrictions	Service No.	Qty
1	Flange-driving shaft joint			FTC859	2
2	Gasket-axle shaft drive member			571752	2
3	Locknut			FRC8700	4
4	Washer-Lock		Outer	FTC3179	2
5	Washer-front & rear hub nut tab	Change point - VIN begin JA032851, Change point - VIN end TA199999 Change point - VIN begin TA500000, Change point - VIN end TA534102 Change point - VIN begin TA700000, Change point - VIN end TA703235 Change point - VIN begin VA534103, Change point - VIN end VA558898 Change point - VIN begin VA703236		FTC3185	2
				FTC3185	2
				FTC3185	2
				FTC5241	2
				FTC5241	2
6	Seal assembly-front/rear hub		Inner	FTC2783	2
			Inner	FTC4785	2
7	Bearing-front/rear axle hub			RTC3429	4
8	Hub assembly-front & rear			FTC860	2
			Also serviced as part of a kit	FTC942	2
9	Stud		Also serviced as part of a kit	FRC5926	10
10	Bolt		M10 X 45	BX110095M	10
11	Washer		3/8", Square	WM600061L	10



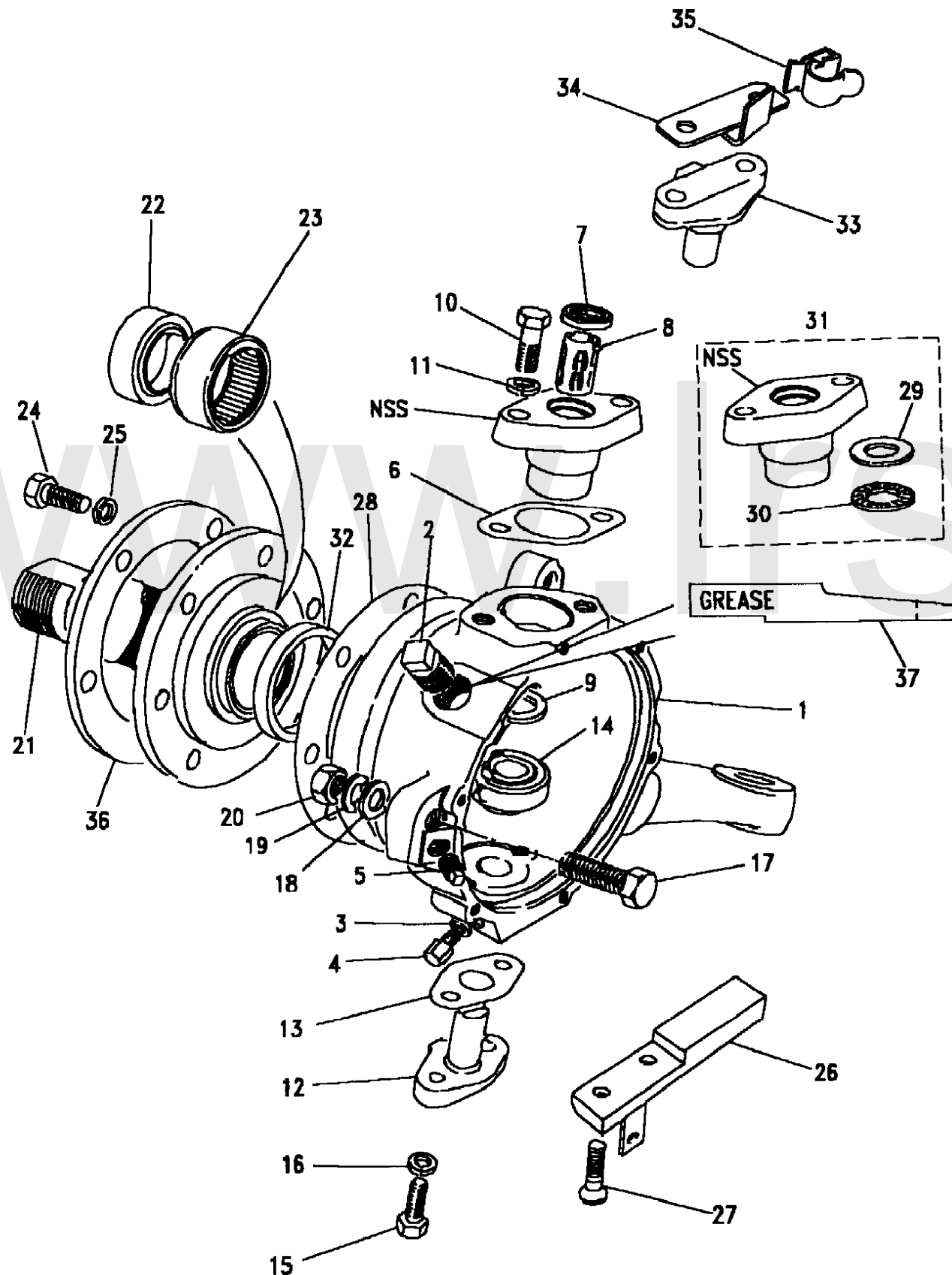
Change point - VIN end JA032850



Callout	Name	Application	Remarks & Restrictions	Service No.	Qty
1	Driveshaft-front hub			571761	2
2	Spacer			FRC8227	2
3	Gasket-axle shaft drive member			571752	2
4	Locknut			FRC8700	4
5	Washer-Lock			FRC8002	2
6	Seal assembly-front/rear hub		Inner	FTC2783	2
			Inner	FTC4785	2
7	Bearing-front/rear axle hub			RTC3429	2
8	Hub assembly front		Also serviced as part of a kit	FTC1457	2
9	Stud		Also serviced as part of a kit	FRC5926	10
10	Seal assembly-front/rear hub		Outer	FRC8222	2
11	Bolt			279146	10
12	Washer		3/8", Square	WM600061L	10

Change point - VIN begin JA032851

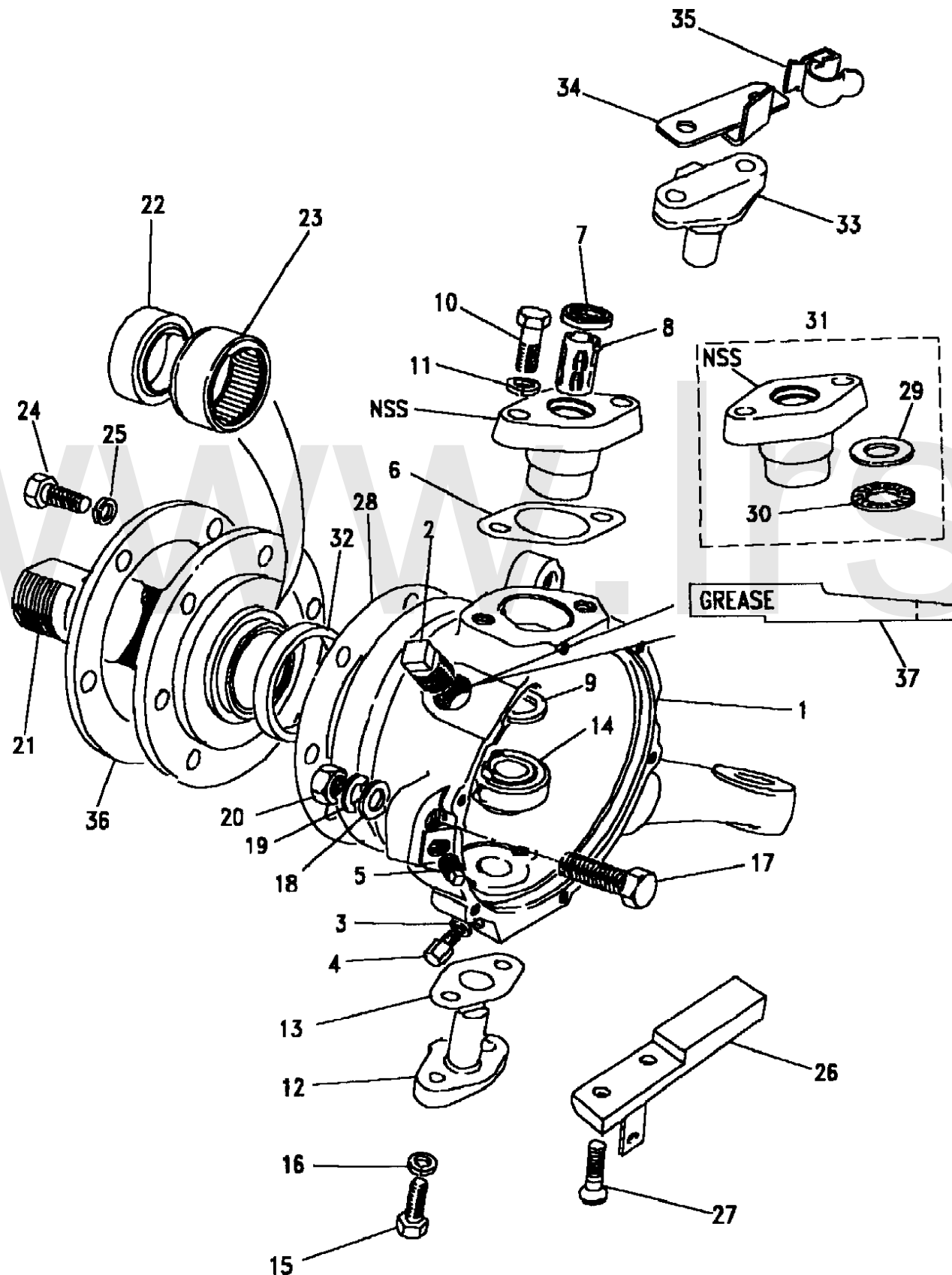
Callout	Name	Application	Remarks & Restrictions	Service No.	Qty
1	Housing-swivel pin	Change point - VIN begin JA032850, Change point - VIN end KA052766, RHD	RH	FTC2524	1
		Change point - VIN begin JA032850, Change point - VIN end KA052766, RHD	LH	FTC2525	1
		Change point - VIN begin KA052767, Change point - VIN end TA199999, RHD	RH	FTC3308	1
		Change point - VIN begin TA500000, Change point - VIN end VA546937, RHD	RH	FTC3308	1
		Change point - VIN begin TA700000, Change point - VIN end VA714997, RHD	RH	FTC3308	1
		Change point - VIN begin KA052767, Change point - VIN end TA199999, RHD	LH	FTC3309	1
		Change point - VIN begin TA500000, Change point - VIN end VA546937, RHD	LH	FTC3309	1
		Change point - VIN begin TA700000, Change point - VIN end VA714997, RHD	LH	FTC3309	1
		Change point - VIN begin VA714998, RHD	RH	FTC5296	1
		Change point - VIN begin VA546938, Change point - VIN end VA558898, RHD	RH	FTC5296	1
		Change point - VIN begin VA714998, RHD	With Redundant Steering Arm, LH	FTC5297	1
		Change point - VIN begin VA546938, Change point - VIN end VA558898, RHD	With Redundant Steering Arm, LH	FTC5297	1
		Change point - VIN begin JA032850, Change point - VIN end KA052766, LHD	RH	FTC2526	1
		Change point - VIN begin JA032850, Change point - VIN end KA052766, LHD	LH	FTC2527	1
		Change point - VIN begin KA052767, Change point - VIN end TA199999, LHD	LH	FTC3311	1
		Change point - VIN begin TA500000, Change point - VIN end VA546937, LHD	LH	FTC3311	1
		Change point - VIN begin TA700000, Change point - VIN end VA714997, LHD	LH	FTC3311	1
		Change point - VIN begin KA052767, Change point - VIN end TA199999, LHD	RH	FTC3310	1
		Change point - VIN begin TA500000, Change point - VIN end VA546937, LHD	RH	FTC3310	1
		Change point - VIN begin TA700000, Change point - VIN end VA714997, LHD	RH	FTC3310	1
		Change point - VIN begin VA714998, LHD	With Redundant Steering Arm, RH	FTC5298	1





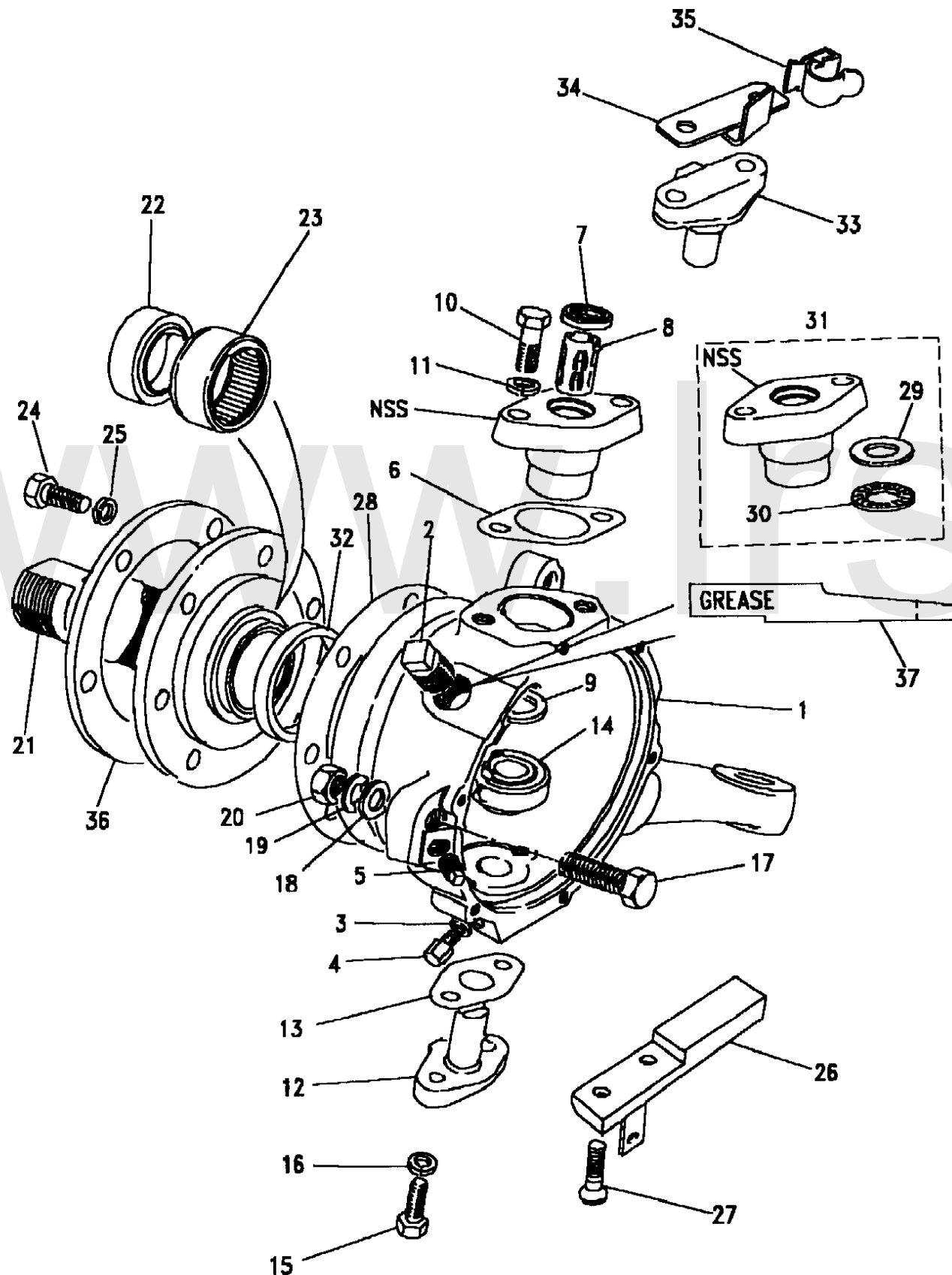
Change point - VIN begin JA032851

Callout	Name	Application	Remarks & Restrictions	Service No.	Qty
7	Seal-antilock brake system sensor	Change point - VIN begin JA032850, All Wheel Anti-Lock Braking System		FTC1376	1
8	Bush	Change point - VIN begin JA032850, All Wheel Anti-Lock Braking System	antilock brake system sensor	FTC1374	1
9	Washer-swivel pin thrust	Change point - VIN begin JA032850, All Wheel Anti-Lock Braking System		FTC124	2
10	Bolt	Change point - VIN begin JA032850	hexagonal head, M10 x 35	BX110071L	4
			hexagonal head, M10 x 35	BX110071M	4
11	Washer	Change point - VIN begin JA032850	M10	WL110001L	4
12	Pin	Change point - VIN begin JA032850	Lower	FRC2894	2
13	Gasket-lower swivel pin	Change point - VIN begin JA032850		FRC2897	2
		Change point - VIN begin JA032850	Asbestos Free	FTC3647	2
14	Bearing-taper roller	Change point - VIN begin JA032850, Less Anti-Lock Braking System	Lower	606666	4
		Change point - VIN begin JA032850, All Wheel Anti-Lock Braking System	Lower	606666	2
15	Bolt-flanged head	Change point - VIN begin JA032850	7/16UNF x 1 1/8	255467	4
16	Washer	Change point - VIN begin JA032850	M8, sprung	WL108001L	4
17	Screw	Change point - VIN begin JA032850	Shouldered, hexagonal head, M12 x 50	SH112505	2
18	Washer-Plain	Change point - VIN begin JA032850		WD112081L	2
19	Washer	Change point - VIN begin JA032850		WL112001L	2
20	Nut-hexagonal-thin	Change point - VIN begin JA032850	M12	NT112041L	2
21	Axle assembly-stub front suspension	Change point - Axle begin 38L03121B	Comes With Seal, Bearing And Thrust Ring, Also serviced as part of a kit	FTC3183	2
		Change point - Axle begin 39L05553B	Comes With Seal, Bearing And Thrust Ring, Also serviced as part of a kit	FTC3183	2

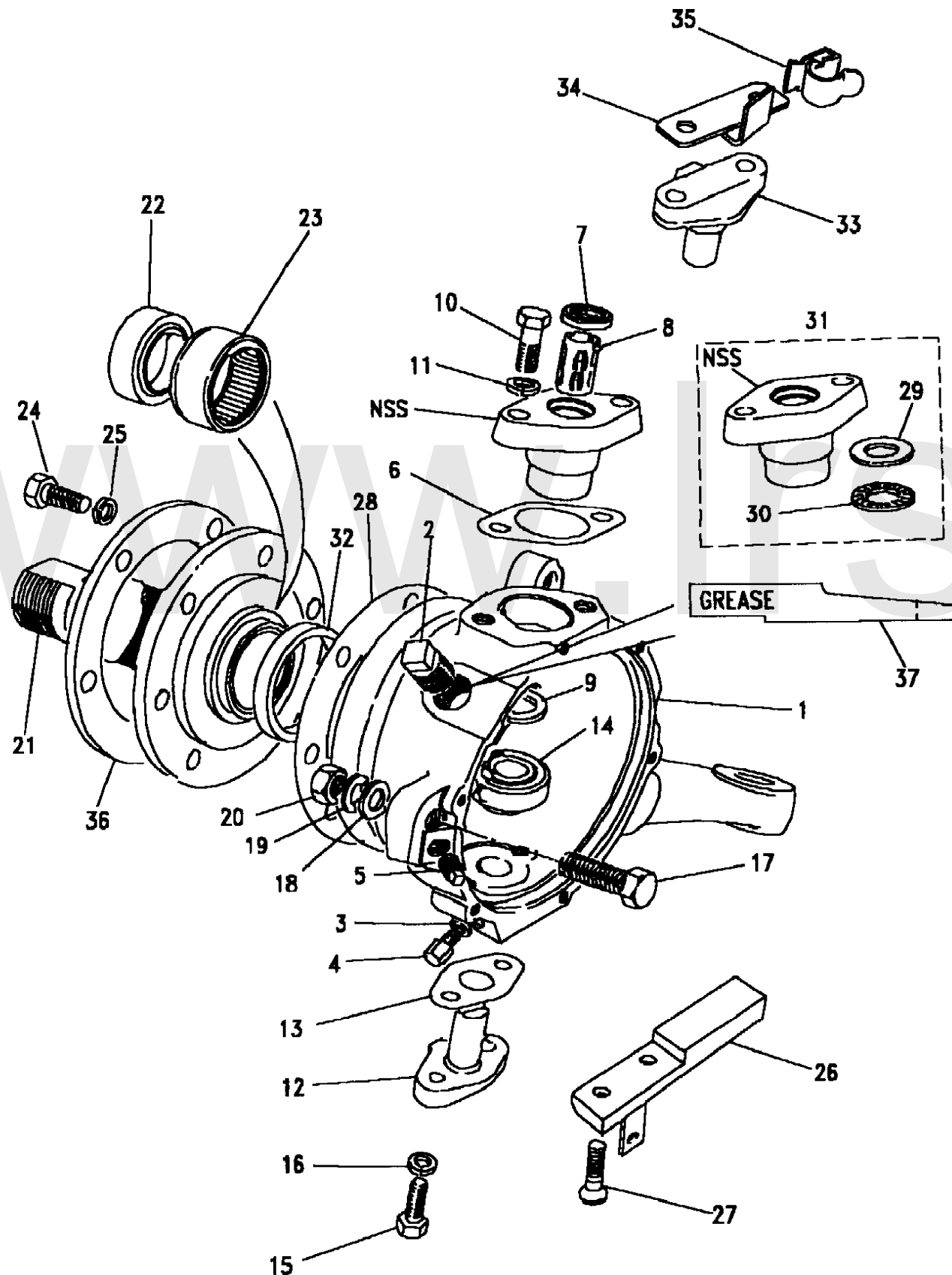


Change point - VIN begin JA032851

Callout	Name	Application	Remarks & Restrictions	Service No.	Qty
21	Axle assembly-stub front suspension	Change point - Axle begin 42L00522B	Comes With Seal, Bearing And Thrust Ring, Also serviced as part of a kit	FTC3183	2
		Change point - Axle begin 43L18580B	Comes With Seal, Bearing And Thrust Ring, Also serviced as part of a kit	FTC3183	2
		Change point - Axle begin 38L03121B		FTC3154	1
		Change point - Axle begin 39L05553B		FTC3154	1
		Change point - Axle begin 42L00522B		FTC3154	1
		Change point - Axle begin 43L18580B		FTC3154	1
22	Seal-stub axle	Change point - Axle begin 38L03121B	Comes With Seal, Bearing And Thrust Ring, Also serviced as part of a kit	FTC3145	2
		Change point - Axle begin 39L05553B	Comes With Seal, Bearing And Thrust Ring, Also serviced as part of a kit	FTC3145	2
		Change point - Axle begin 42L00522B	Comes With Seal, Bearing And Thrust Ring, Also serviced as part of a kit	FTC3145	2
		Change point - Axle begin 43L18580B	Comes With Seal, Bearing And Thrust Ring, Also serviced as part of a kit	FTC3145	2
		Change point - Axle begin 38L03121B	Comes With Seal, Bearing And Thrust Ring, Also serviced as part of a kit, Inner	FTC5268	2
		Change point - Axle begin 39L05553B	Comes With Seal, Bearing And Thrust Ring, Also serviced as part of a kit, Inner	FTC5268	2
		Change point - Axle begin 42L00522B	Comes With Seal, Bearing And Thrust Ring, Also serviced as part of a kit, Inner	FTC5268	2
		Change point - Axle begin 43L18580B	Comes With Seal, Bearing And Thrust Ring, Also serviced as part of a kit, Inner	FTC5268	2
23	Bearing-front/rear axle hub	Change point - Axle begin 38L03121B	Comes With Seal, Bearing And Thrust Ring, Also serviced as part of a kit	FTC861	1
		Change point - Axle begin 39L05553B	Comes With Seal, Bearing And Thrust Ring, Also serviced as part of a kit	FTC861	1
		Change point - Axle begin 42L00522B	Comes With Seal, Bearing And Thrust Ring, Also serviced as part of a kit	FTC861	1
		Change point - Axle begin 43L18580B	Comes With Seal, Bearing And Thrust Ring, Also serviced as part of a kit	FTC861	1
24	Screw-hexagon socket	Change point - VIN end VA731771	M10 x 25	SX110251	12
		Change point - VIN begin VA731772	hexagonal head, M10 x 25	SX110257M	12



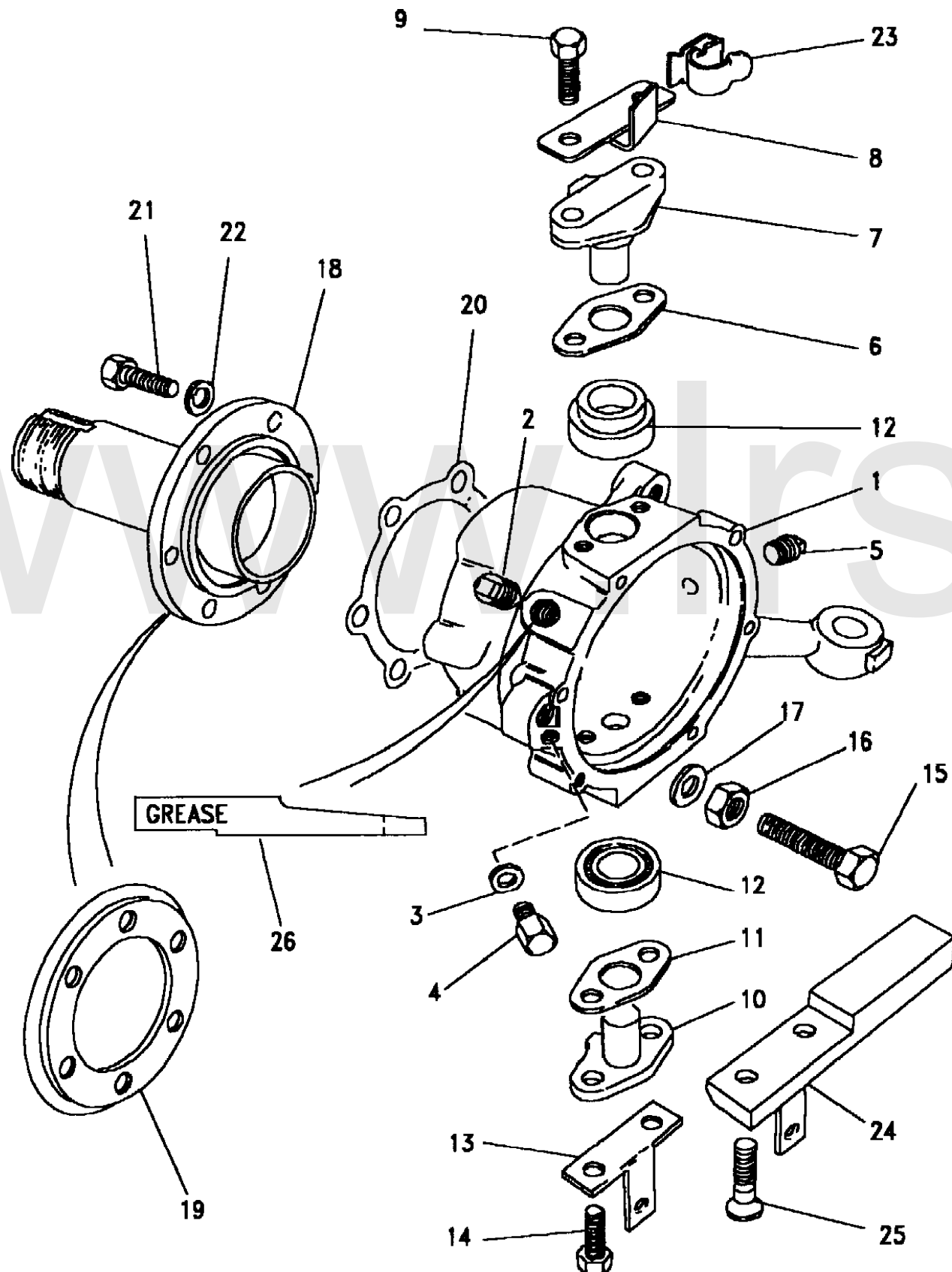
Change point - VIN begin JA032851



Callout	Name	Application	Remarks & Restrictions	Service No.	Qty
25	Washer-starlock	Change point - VIN begin JA032850		WE110001L	12
26	Damper-swivel pin	Change point - VIN begin JA032850	RH	FTC1616	1
		Change point - VIN begin JA032850	LH	FTC1617	1
27	Screw	Change point - VIN begin JA032850	Pre-impregnated With Adhesive, counter sunk	FTC3455	2
28	Gasket-stub axle	Change point - VIN begin JA032850		FRC3205	1
		Change point - VIN begin JA032850	Asbestos Free	FTC3648	1
29	Kit-swivel pin-upper	Change point - VIN begin JA032850	Also serviced as part of a kit	STC226	2
30	Washer-thrust	Change point - VIN begin JA032850	Also serviced as part of a kit	FTC2066	4
31	Bearing-needle roller	Change point - VIN begin JA032850	Also serviced as part of a kit	FTC2065	2
32	Washer-front hub thrust	Change point - Axle begin 38L03121B	Comes With Seal, Bearing And Thrust Ring, Also serviced as part of a kit	FTC56	1
		Change point - Axle begin 39L05553B	Comes With Seal, Bearing And Thrust Ring, Also serviced as part of a kit	FTC56	1
		Change point - Axle begin 42L00522B	Comes With Seal, Bearing And Thrust Ring, Also serviced as part of a kit	FTC56	1
		Change point - Axle begin 43L18580B	Comes With Seal, Bearing And Thrust Ring, Also serviced as part of a kit	FTC56	1
33	Pin	Change point - VIN begin JA032850		FTC2882	1
34	Washer-Lock	Change point - VIN begin JA032850		90576928	2
35	Clip-cable	Change point - VIN begin JA032850		NTC6994	2
36	Plate-front & rear stub axle locking	Change point - VIN begin JA032850		FRC2310	2
37	Grease	Change point - VIN begin JA032850	Can Be Used Instead Of Oil In Swivel Pin Housing, 375cc, one shot	STC3435	1
[901]	Bracket-hose brake	Change point - VIN begin MA081992	Front, RH	FTC4045	1
		Change point - VIN begin MA081992	Front, LH	FTC4046	1

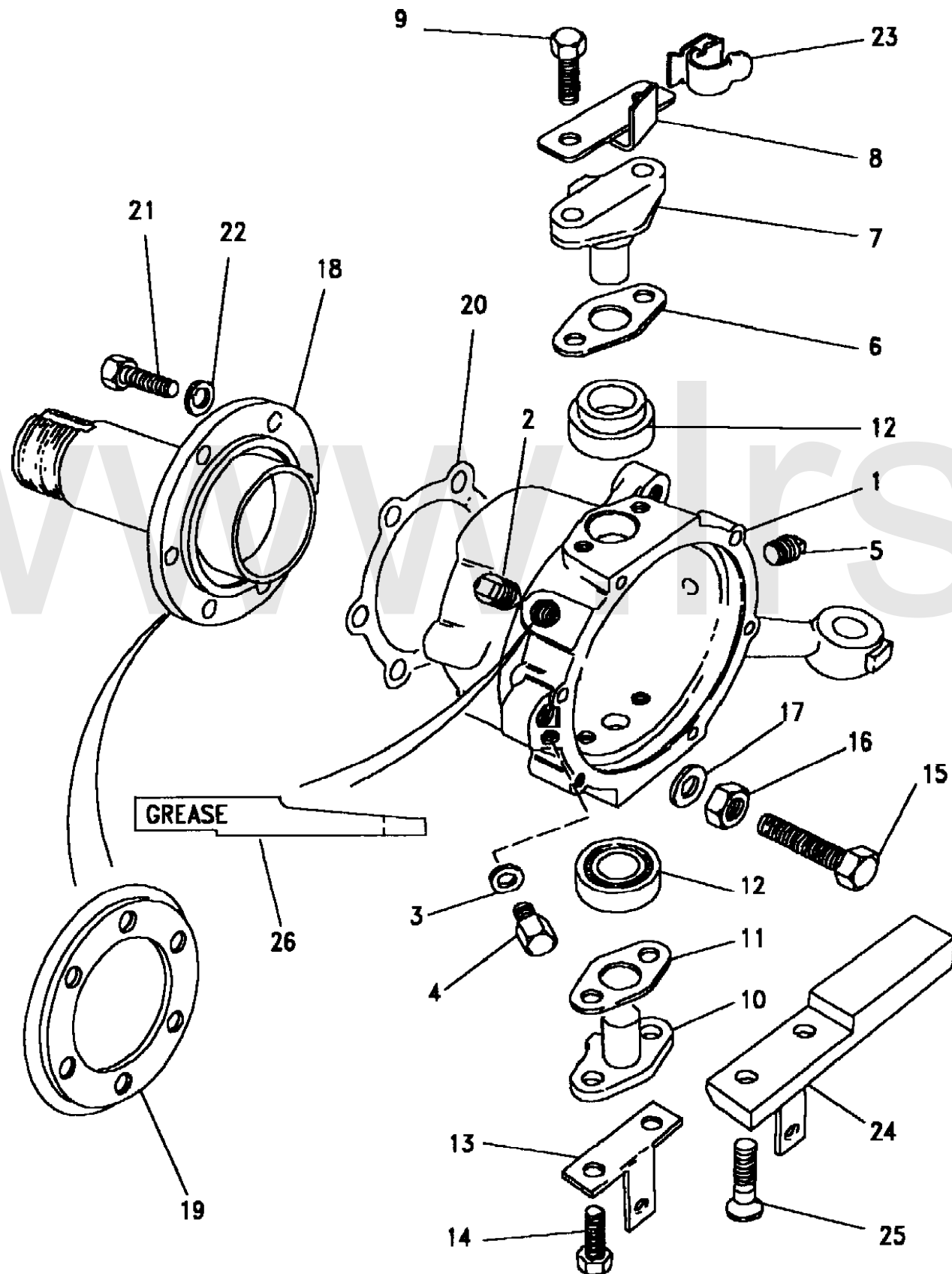
Change point - VIN end JA032849

Callout	Name	Application	Remarks & Restrictions	Service No.	Qty
1	Housing-swivel pin	Change point - VIN end JA018174, RHD	RH	STC150	1
		Change point - VIN end JA018174, RHD	LH	STC151	1
		LHD	RH	STC152	1
		LHD	LH	STC153	1
		Change point - VIN begin JA018175, Change point - VIN end JA032849, RHD	RH	FTC2520	1
		Change point - VIN begin JA018175, Change point - VIN end JA032849, RHD	LH	FTC2521	1
		Change point - VIN begin JA018175, Change point - VIN end JA032849, LHD	RH	FTC2522	1
		Change point - VIN begin JA018175, Change point - VIN end JA032849, LHD	LH	FTC2523	1
		2	Plug-level		
3	Washer-sealing		steering swivel pin housing drain plug	230511	2
4	Plug-Drain			236070	2
5	Plug		square head	3289	2
6	Shim		0.003"	571743	X
			0.005"	571744	X
			0.010"	571745	X
			0.030"	571746	X
		7	Pin		Upper
8	Washer-Lock			90576928	2
9	Bolt		7/16", hexagonal head	SX607101	4
		MPi	hexagonal head, M10 x 35	BX110071L	4
		MPi	hexagonal head, M10 x 35	BX110071M	4
10	Pin			571819	2
11	Gasket-lower swivel pin			571815	2
12	Bearing-taper roller		Lower	606666	4
13	Washer-Lock			576608	2
14	Bolt-flanged head		7/16UNF x 1 1/8	255467	4
15	Screw		hexagonal head, 1/2UNF x 2	SH608161	2
			Shouldered, hexagonal head, M12 x 50	SH112505	1
16	Nut-hexagonal-thin		1/2"	NT608041L	2

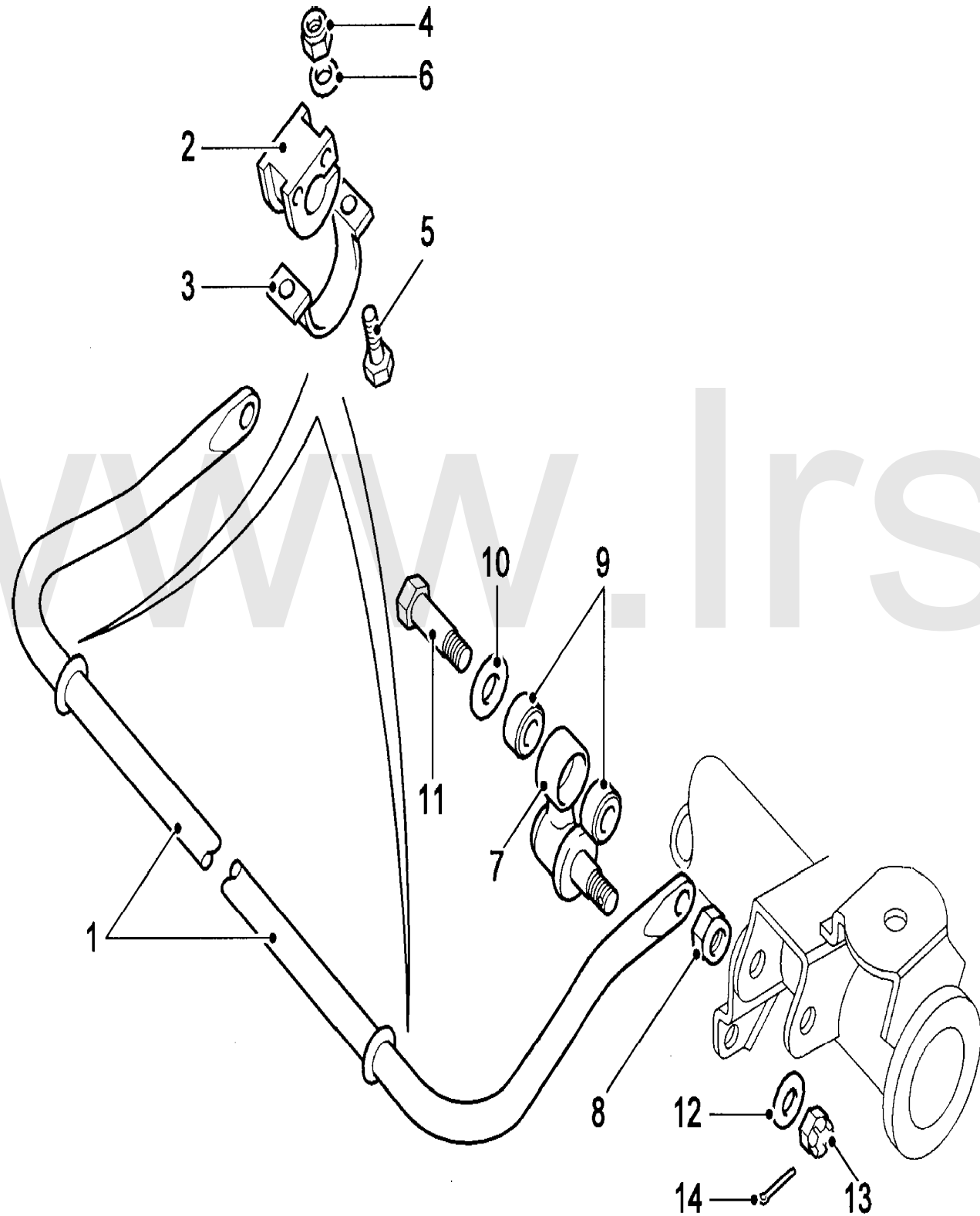


Change point - VIN end JA032849

Callout	Name	Application	Remarks & Restrictions	Service No.	Qty
16	Nut-hexagonal-thin		M12	NT112041L	1
17	Washer-Plain		M12 x 22	WB112081L	4
18	Axle-stub-hub front suspension	Change point - VIN end JA0328491	Also serviced as part of a kit	FTC57	2
19	Plate-front & rear stub axle locking	Change point - VIN end JA0328491		FRC2310	2
20	Gasket-stub axle	Change point - VIN end JA0328491 Change point - VIN end JA0328491	Asbestos Free	FRC3205 FTC3648	2 2
21	Screw	Change point - VIN end JA0328491	hexagonal head, M10 x 25	SX110251M	12
22	Washer	Change point - VIN end JA0328491	M10	WL110001L	12
23	Clip-cable	Change point - VIN end JA0328491		NTC6994	2
24	Damper-swivel pin	Change point - VIN end JA0328491 Change point - VIN end JA0328491	RH LH	FTC1620 FTC1621	1 1
25	Screw-torx-countersunk	Change point - VIN end JA0328491		FTC1623	1
26	Grease		Can Be Used Instead Of Oil In Swivel Pin Housing, 375cc, one shot	STC3435	1
[900]	Seal-stub axle	Change point - VIN end JA0328491	Also serviced as part of a kit, Outer	FTC840	2
[901]	Bearing-front/rear axle hub	Change point - VIN end JA0328491	Also serviced as part of a kit	FTC861	2
[902]	Washer-front hub thrust	Change point - VIN end JA0328491	Also serviced as part of a kit	FTC56	2



Callout	Name	Application	Remarks & Restrictions	Service No.	Qty
1	Bar-anti-roll front suspension	Change point - VIN end LA081991 Change point - VIN begin MA081992		NTC6836	1
				NTC6837	1
2	Bush-anti-roll bar		Front	NTC6828	2
3	Bracket-clamp roll bar mounting			NTC6776	2
4	Nut - Hex.		M10, hexagonal head, nyloc	NY110041L	4
5	Screw		hexagonal head, M10 x 35	SH110351L	4
6	Washer		M10	WA110061L	4
7	Joint-ball-lower arm front/rear suspension			NTC1888	2
8	Nut - Hex.		M16	NV116041L	2
9	Bush-lower arm front/rear suspension			552819	4
10	Washer			264024	2
11	Pin			NTC8202	2
12	Washer-Plain		M12 x 28	WC112081L	2
13	Nut-castle		M12	NC112041	2
14	Pin-split		3.2 x 32	PS106321L	1



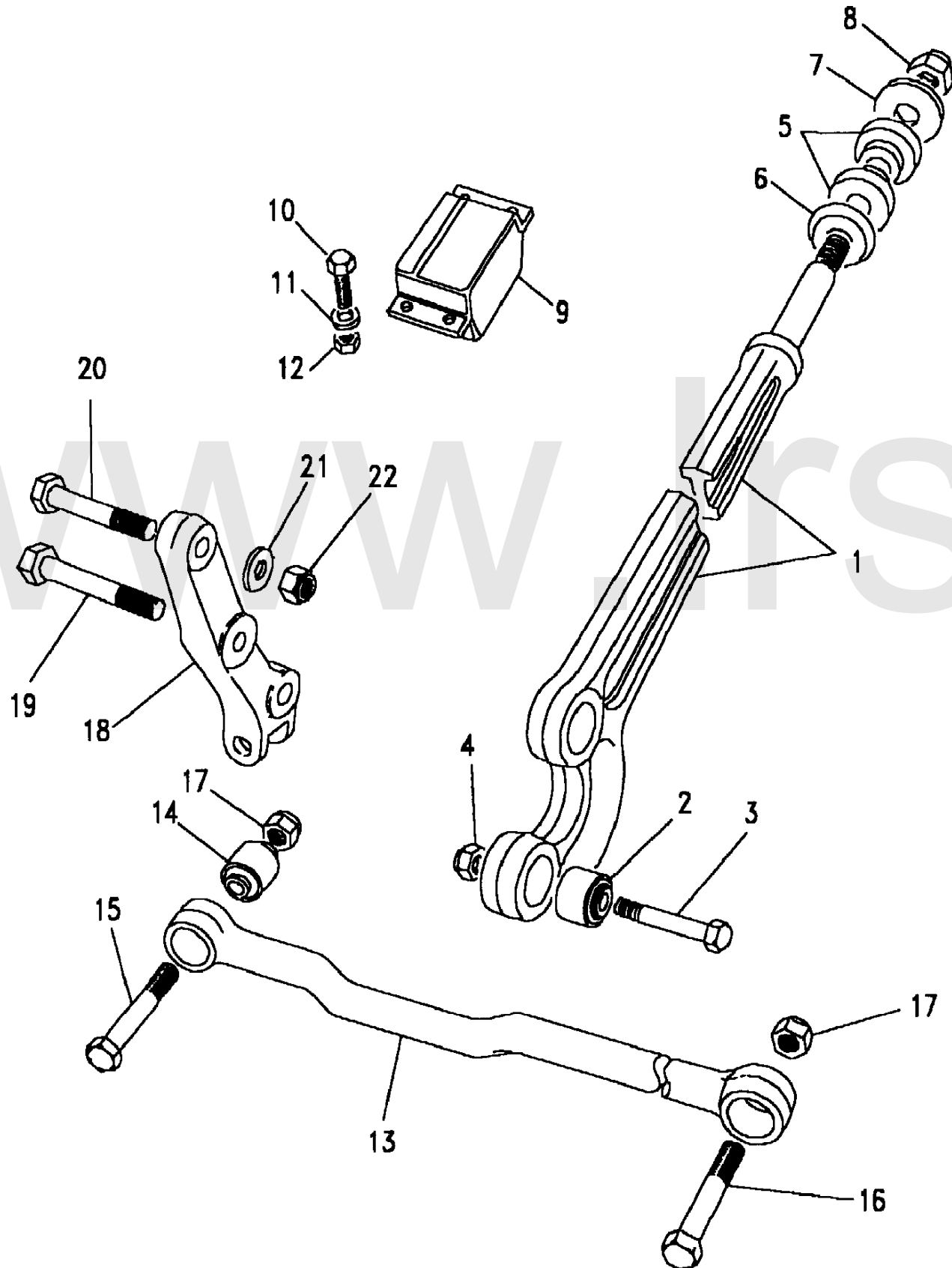
Axles & Suspension  
Front Suspension  
Radius Arms & Links 1/2

Discovery (FA393361-WA799999)  
(CAEXIA1A)

Discovery (FA393361-WA799999)

Axles & Suspension  
Front Suspension  
Radius Arms & Links

Callout	Name	Application	Remarks & Restrictions	Service No.	Qty
1	Arm assembly-radius front suspension			NTC2694	2
2	Bush		front suspension radius arm to axle	NTC6860	4
3	Bolt	Change point - VIN end MA085297 Change point - VIN begin MA085298	M16 x 100MM, high tensile M16 x 100MM, dacromat	BX116201L BH116207	4 4
4	Nut - Hex.	Change point - VIN end MA085297 Change point - VIN begin MA085298	M16, nyloc, Hexagonal M16, hexagonal head, nyloc	NY116051L NV116047	4 4
5	Bush		front suspension radius arm to chassis	NRC4514	4
6	Washer - Cup			NRC4516	2
7	Washer Plain			NRC4516	2
8	Nut-hexagonal-nyloc			NY120041L	2
9	Stop	Change point - VIN end MA091471 Change point - VIN end MA091471 Change point - VIN end MA113760 Change point - VIN begin MA091472, Change point - VIN end MA113760 Change point - VIN end MA113760, Change point - VIN begin MA09471 Change point - VIN begin MA113761	RH, DIESEL LH, DIESEL, front suspension rebound stop PETROL DIESEL	NTC2326 NTC2325 575707 575707	1 1 2 2
10	Screw	Change point - VIN end MA113760 Change point - VIN begin MA113761	Flanged Head, M8 x 20 M8 X 20, hexagonal head Flanged Head, M8 x 20	FS108201L SH108201 FS108207L	0 0 4
11	Washer			WA108051L	4
12	Nut - Hex.		M8, nyloc	NY108041L	4
13	Rod-front suspension panhard			NRC9729 RBI100000	0 1
14	Bush-panhard rod	Change point - VIN begin MA085513		ANR3410	2
15	Bolt			BH114161L	1



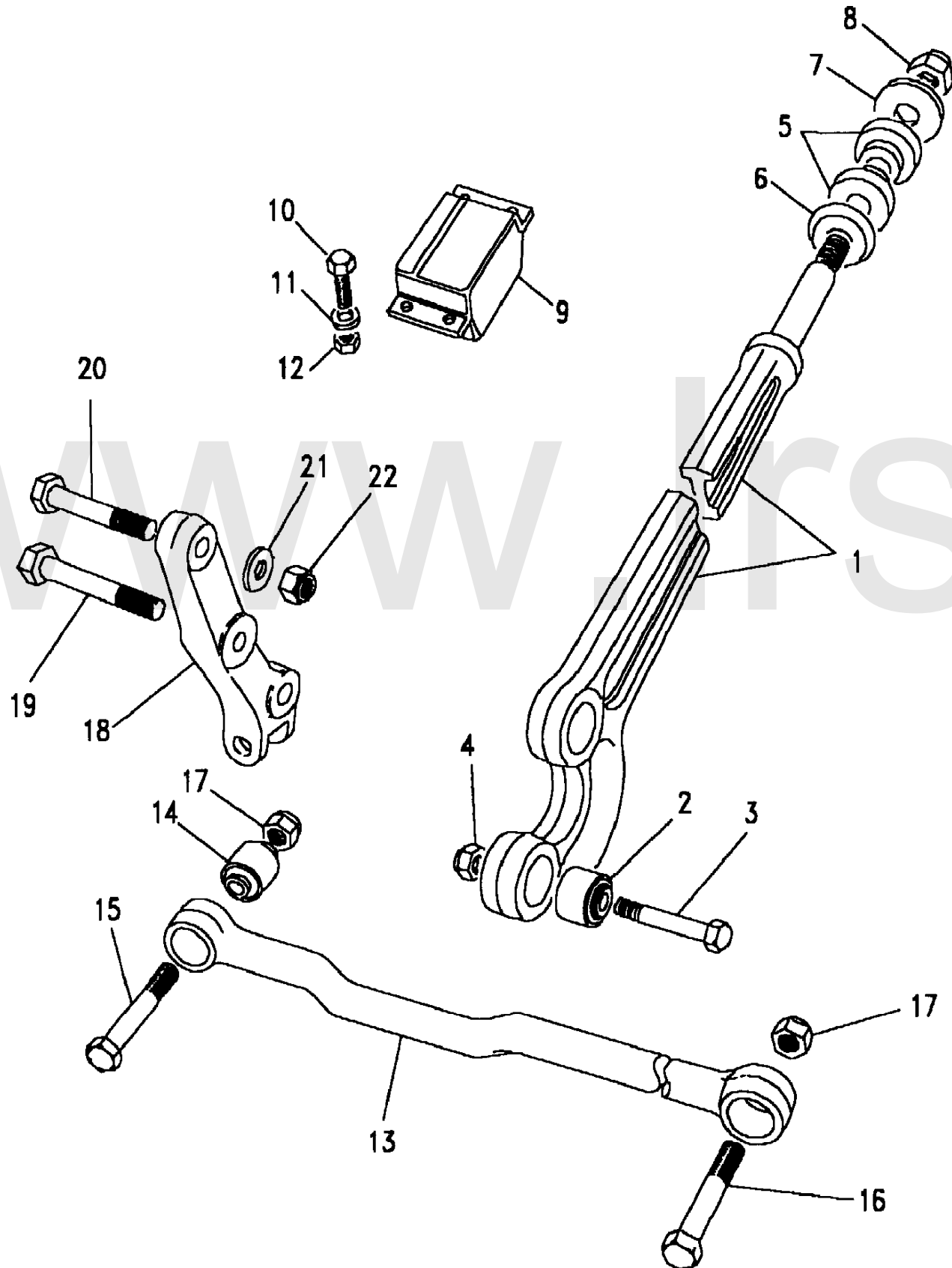
Axles & Suspension  
Front Suspension  
Radius Arms & Links 2/2

Discovery (FA393361-WA799999)  
(CAEXIA1A)

Discovery (FA393361-WA799999)

Axles & Suspension  
Front Suspension  
Radius Arms & Links

Callout	Name	Application	Remarks & Restrictions	Service No.	Qty
16	Bolt	Change point - VIN end JA027300	M14 x 75	BH114151 BH114161	1 1
17	Nut - Hex.			NV114047	2
18	Arm-radius front suspension	RHD		NTC9462	1
19	Bolt		1/2UNF x 6 1/2	253952	1
20	Bolt		1/2UNF x 5 3/4	BH608461	1
21	Washer Plain		M12 x 28	WC112081L	2
22	Locknut			252164	1



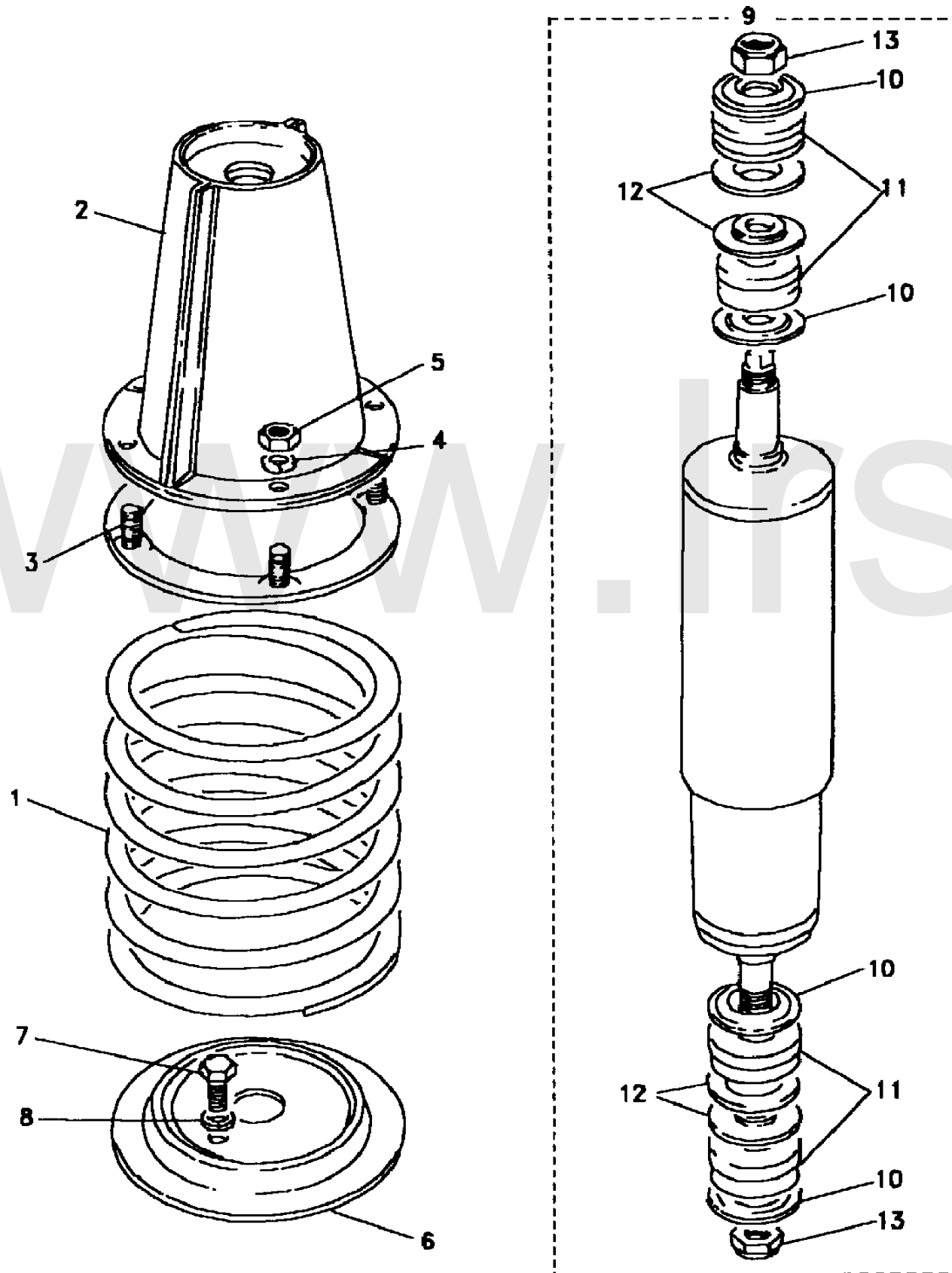
Axles & Suspension  
Front Suspension  
Shock Absorbers & Springs 1/3

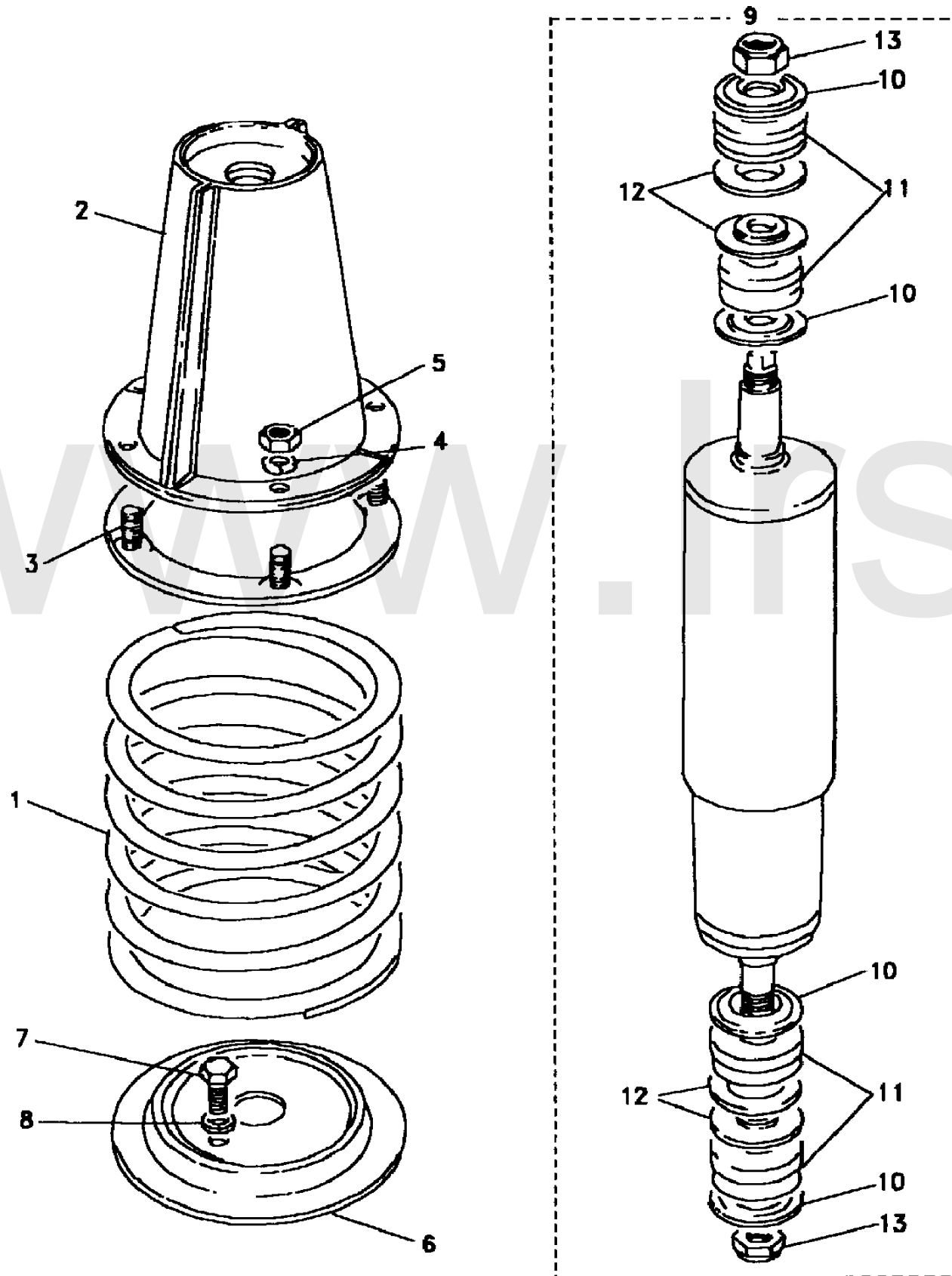
Discovery (FA393361-WA799999)  
(CAEXIC1A)

Discovery (FA393361-WA799999)

Axles & Suspension  
Front Suspension  
Shock Absorbers & Springs

Callout	Name	Application	Remarks & Restrictions	Service No.	Qty
1	Spring-road-coil	Change point - VIN begin HA000001, Change point - VIN end HA012332, With Diesel Engines	Passenger, Blue/Green/Yellow Stripe	NTC8477	1
		Change point - VIN begin HA475973, Change point - VIN end HA486551, With Diesel Engines	Passenger, Blue/Green/Yellow Stripe	NTC8477	1
		Change point - VIN begin JA012333, Change point - VIN end KA038877, With Diesel Engines	Passenger, Blue/Green/Yellow Stripe	NTC8477	1
		Change point - VIN begin KA038878, Change point - VIN end MA116460, With Diesel Engines	Driver	ANR1975	1
		Change point - VIN begin KA038878, Change point - VIN end MA116460, With Diesel Engines	Passenger	ANR1976	1
		Change point - VIN begin MA116461, With Diesel Engines	Driver	ANR4351	1
		Change point - VIN begin MA116461, With Diesel Engines	Passenger	ANR4350	1
		With Petrol Engines, RHD	(-) MPI, Blue Stripe, Driver	572315	1
		With Petrol Engines, RHD	(-) MPI, Blue Stripe, Passenger	572315	1
		With Petrol Engines, LHD	(-) MPI, Driver, Blue/White Stripe	NRC4306	1
		With Petrol Engines, LHD	(-) MPI, Blue Stripe, Passenger	572315	1
		MPi Petrol	Blue Stripe, Driver	572315	1
		MPi Petrol	Passenger, Blue/White Stripe	NRC4306	1
		Change point - VIN begin GA394352, Change point - VIN end GA456980, With Diesel Engines, RHD	Driver, Green Stripe	NRC2119	1
		Change point - VIN begin HA456981, Change point - VIN end HA475972, With Diesel Engines, RHD	Driver, Green Stripe	NRC2119	1
		Change point - VIN begin GA394352, Change point - VIN end GA456980, With Diesel Engines, LHD	Driver, Red/Yellow Stripe	NRC4305	1
		Change point - VIN begin HA456981, Change point - VIN end HA475972, With Diesel Engines, LHD	Driver, Red/Yellow Stripe	NRC4305	1
		Change point - VIN begin GA394352, Change point - VIN end GA456980, With Diesel Engines	Passenger, Green Stripe	NRC2119	1
		Change point - VIN begin HA456981, Change point - VIN end HA475972, With Diesel Engines	Passenger, Green Stripe	NRC2119	1
		Change point - VIN begin HA000001, Change point - VIN end HA012332, With Diesel Engines, RHD	Driver, Blue/Green/Yellow Stripe	NTC8477	1





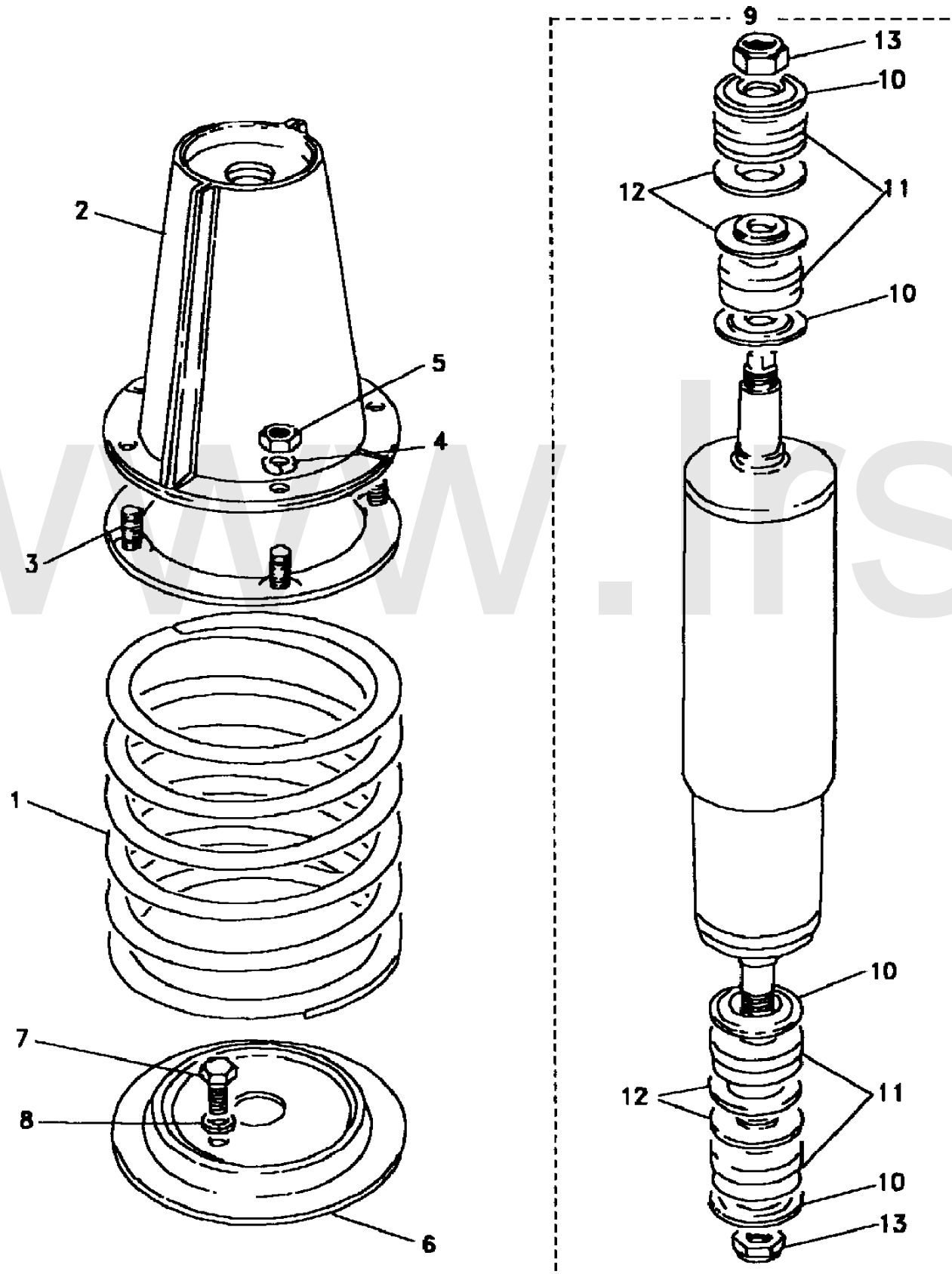
Callout	Name	Application	Remarks & Restrictions	Service No.	Qty		
1	Spring-road-coil	Change point - VIN begin HA475973, Change point - VIN end HA486551, With Diesel Engines, RHD	Driver, Blue/Green/Yellow Stripe	NTC8477	1		
		Change point - VIN begin JA012333, Change point - VIN end KA038877, With Diesel Engines, RHD	Driver, Blue/Green/Yellow Stripe	NTC8477	1		
		Change point - VIN begin HA000001, Change point - VIN end HA012332, With Diesel Engines, LHD	Driver, Blue/Pink/White Stripe	NTC8476	1		
		Change point - VIN begin HA475973, Change point - VIN end HA486551, With Diesel Engines, LHD	Driver, Blue/Pink/White Stripe	NTC8476	1		
		Change point - VIN begin JA012333, Change point - VIN end KA038877, With Diesel Engines, LHD	Driver, Blue/Pink/White Stripe	NTC8476	1		
2	Bracket-front spring mounting		Upper	NRC6372	2		
3	Ring-retention			572087	2		
4	Washer-Spring		Also serviced as part of a kit, 5/16"	WM600051L	8		
5	Nut - Hex.		5/16UNF	NH605041L	8		
6	Seat-suspension spring lower			NRC9700	2		
7	Screw		hexagonal head, M10 x 25	SH110251	4		
8	Washer		3/8", Square	WM600061L	4		
9	Damper assembly front	Change point - VIN begin GA394352, Change point - VIN end GA456980, Less Roll Bar	Also serviced as part of a kit	RTC6360	2		
		Change point - VIN begin HA456981, Change point - VIN end HA472849, Less Roll Bar	Also serviced as part of a kit	RTC6360	2		
		Change point - VIN begin JA012333, Less Roll Bar	Also serviced as part of a kit	STC286	2		
		Change point - VIN begin HA000001, Change point - VIN end HA012332, Less Roll Bar	Also serviced as part of a kit	STC286	2		
		Change point - VIN begin HA472850, Change point - VIN end HA486551, Less Roll Bar	Also serviced as part of a kit	STC286	2		
		Change point - VIN end LA081991, With Roll Bar	Also serviced as part of a kit	STC286	2		
		Change point - VIN begin MA081992, Change point - VIN end MA135957, With Roll Bar	Also serviced as part of a kit	STC1635	2		

Axles & Suspension  
 Front Suspension  
 Shock Absorbers & Springs 3/3

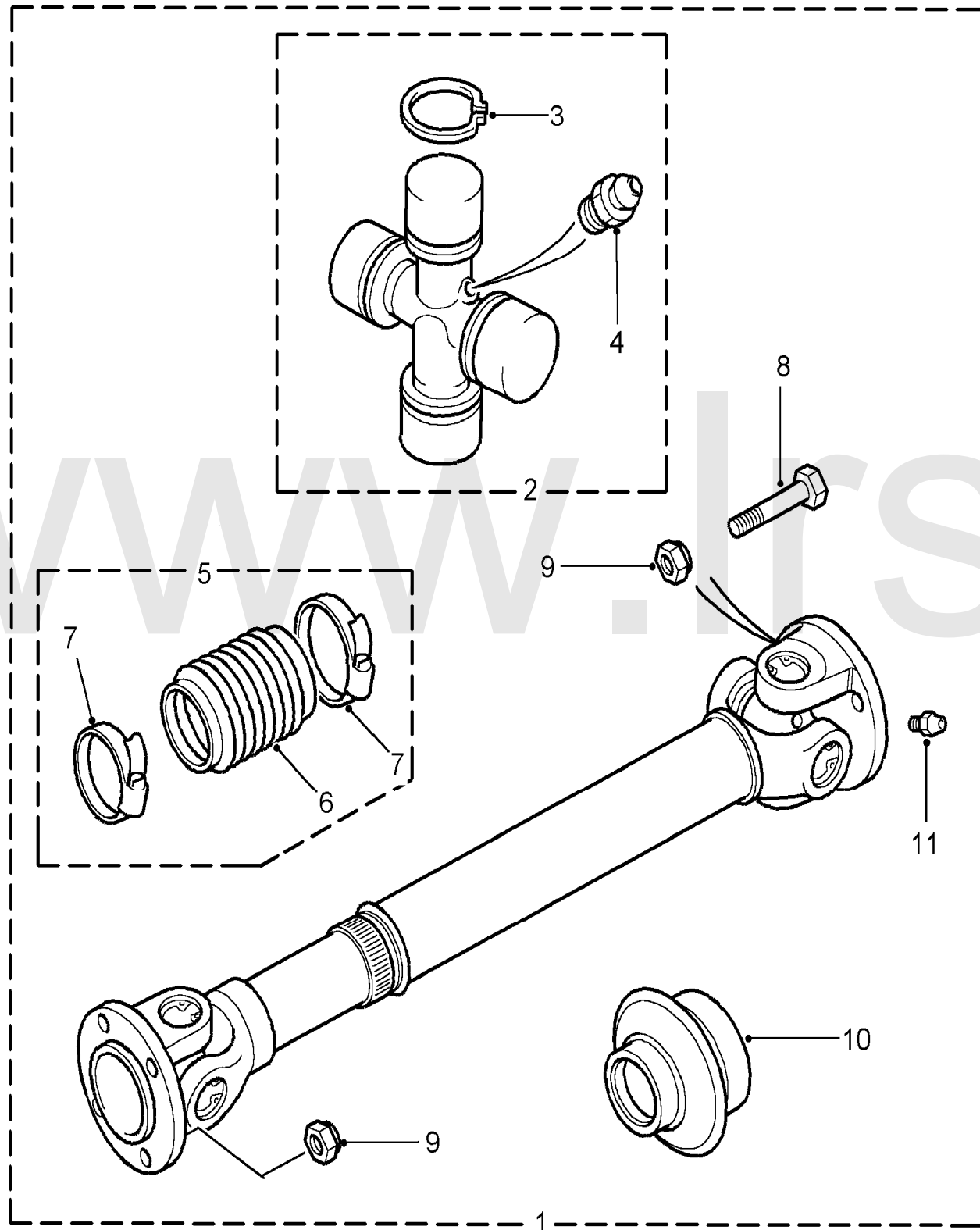
Discovery (FA393361-WA799999)  
 (CAEXIC1A)

Discovery (FA393361-WA799999)

Axles & Suspension  
 Front Suspension  
 Shock Absorbers & Springs

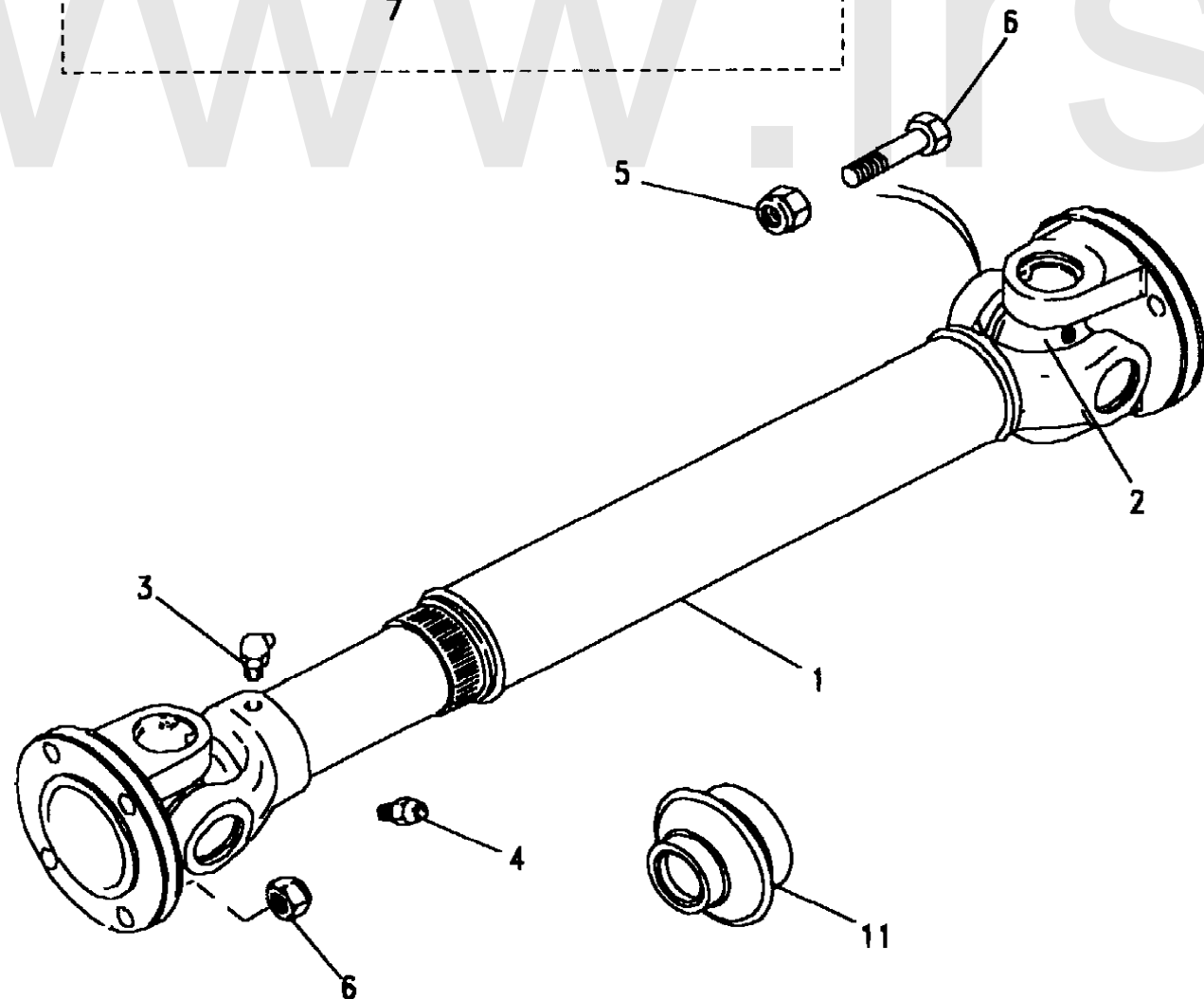
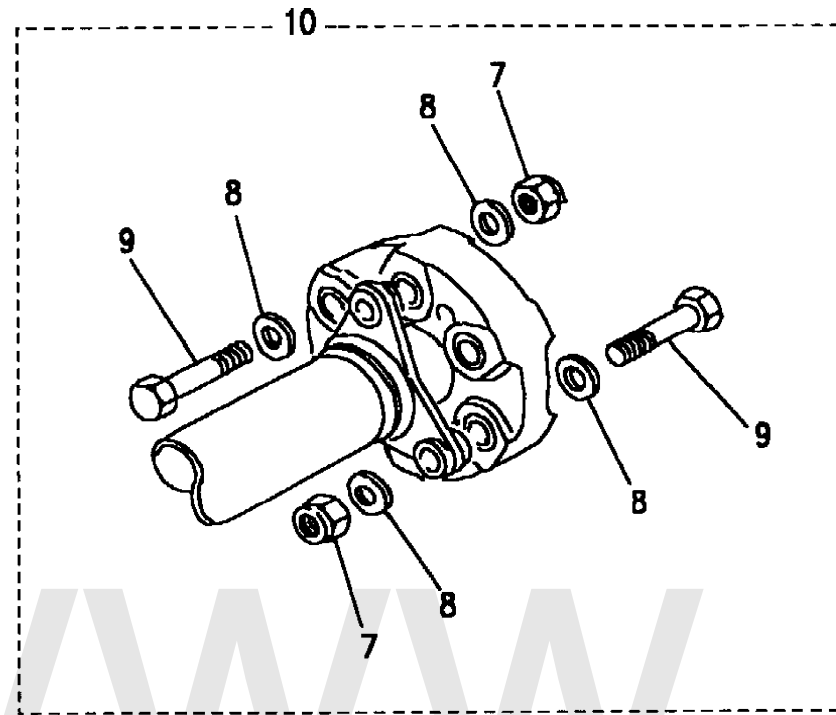


Callout	Name	Application	Remarks & Restrictions	Service No.	Qty
9	Damper assembly front	Change point - VIN begin MA135958, Change point - VIN end TA199999, With Roll Bar	Also serviced as part of a kit	STC2849	2
		Change point - VIN begin MA500000, Change point - VIN end VA537533, With Roll Bar	Also serviced as part of a kit	STC2849	2
		Change point - VIN begin TA700000, Change point - VIN end VA706653, With Roll Bar	Also serviced as part of a kit	STC2849	2
		Change point - VIN begin VA706654, With Roll Bar		STC3703	2
		Change point - VIN begin VA537534, Change point - VIN end VA558898, With Roll Bar		STC3703	2
10	Washer	Change point - VIN begin GA394352, Change point - VIN end GA456980, Less Roll Bar	Also serviced as part of a kit	500746	4
		Change point - VIN begin HA456981, Change point - VIN end HA472849, Less Roll Bar	Also serviced as part of a kit	500746	4
11	Bush-damper mounting	Change point - VIN begin GA394352, Change point - VIN end GA456980, Less Roll Bar	Also serviced as part of a kit, Lower	552818	4
		Change point - VIN begin HA456981, Change point - VIN end HA472849, Less Roll Bar	Also serviced as part of a kit, Lower	552818	4
12	Washer	Change point - VIN begin GA394352, Change point - VIN end GA456980, Less Roll Bar	Also serviced as part of a kit	NRC4365	4
		Change point - VIN begin HA456981, Change point - VIN end HA472849, Less Roll Bar	Also serviced as part of a kit	NRC4365	4
13	Nut - Hex.	Change point - VIN begin GA394352, Change point - VIN end GA456980, Less Roll Bar	Also serviced as part of a kit, M12, Hexagonal	NTC4571	2
		Change point - VIN begin HA456981, Change point - VIN end HA472849, Less Roll Bar	Also serviced as part of a kit, M12, Hexagonal	NTC4571	2



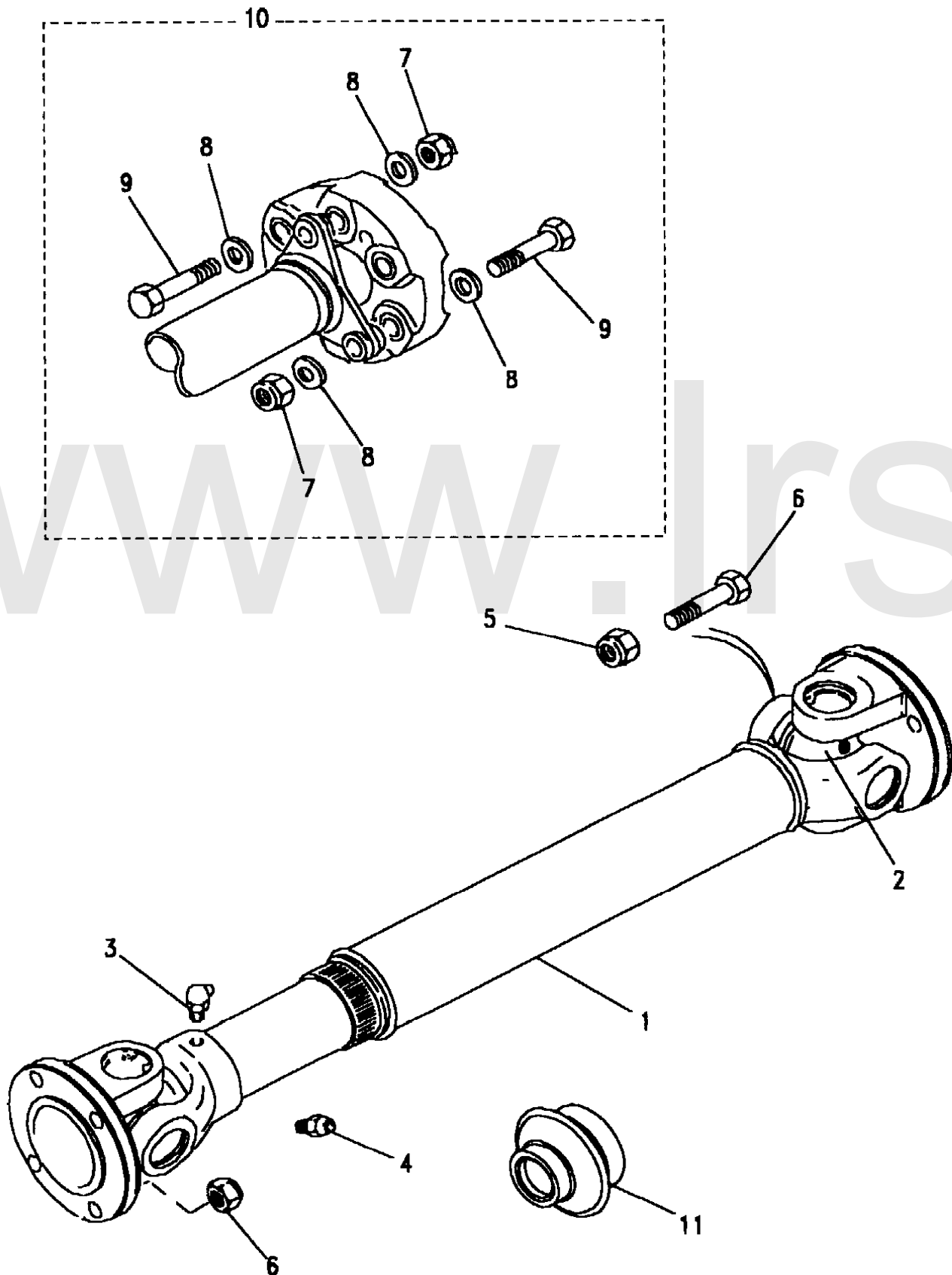
LE0005

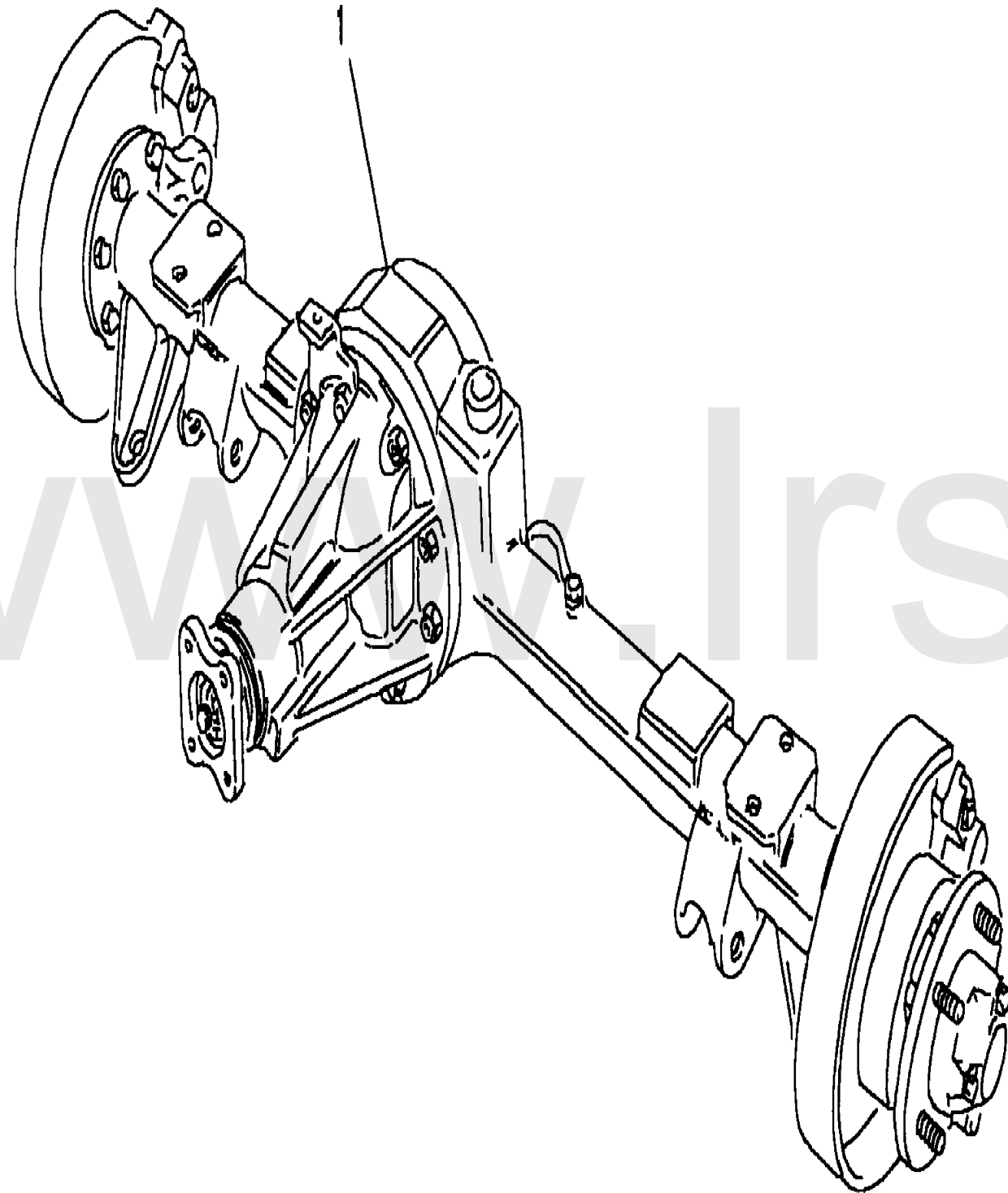
Callout	Name	Application	Remarks & Restrictions	Service No.	Qty
1	Propellor shaft	(-) 3900 cc, Also serviced as part of a kit, Front	FRC8386	1	
		3.9L, Less Catalyst	FRC8386	1	
		3.9L, With Catalyst	FRC8641	1	
2	Joint-propshaft universal	(-) 3900 cc, Also serviced as part of a kit	RTC3458	2	
		3.9L, With Catalyst	RTC4587	2	
3	Circlip	(-) 3900 cc, Also serviced as part of a kit	242522	8	
		3.9L, With Catalyst	242522	4	
4	Nipple-grease	(-) 3900 cc, Also serviced as part of a kit, UNF	549229	2	
		Also serviced as part of a kit, ANF	234532	1	
		3.9L, With Catalyst	Also serviced as part of a kit, UNF	549229	1
5	Gaiter-propshaft sliding joint	Change point - VIN end, 3.9L, With Catalyst	Also serviced as part of a kit	276484	1
6	Gaiter-propshaft sliding joint	Change point - VIN end, 3.9L, With Catalyst	Also serviced as part of a kit	276483	1
7	Clip-Hose	Change point - VIN end, 3.9L, With Catalyst	Also serviced as part of a kit, 50MM, less spring assist	CN100508L	1
		Change point - VIN end, 3.9L, With Catalyst	Also serviced as part of a kit, 50MM, with spring assist	ESR3353	1
8	Bolt	3.9L, With Catalyst	Also serviced as part of a kit, 3/8, UNF	509045P	4
9	Nut - Hex.	3.9L, With Catalyst	Also serviced as part of a kit, 3/8, UNF	NZ606041L	8
10	Gaiter-propshaft sliding joint	Change point - VIN begin, 3.9L, With Catalyst	Also serviced as part of a kit	STC2955	1
11	Nipple-grease	3.9L, With Catalyst	Also serviced as part of a kit, UNF	549229	1



Callout	Name	Application	Remarks & Restrictions	Service No.	Qty		
1	Propellor shaft	Change point - VIN begin MA081992, Change point - VIN end TA199999	Rear	FTC3705	1		
		Change point - VIN begin TA500000, Change point - VIN end VA541627	Rear	FTC3705	1		
		Change point - VIN begin TA700000, Change point - VIN end VA710668	Rear	FTC3705	1		
		Change point - VIN begin VA541628, Change point - VIN end VA558898, V8	Rear	FRC8387	1		
		Change point - VIN begin VA710669, V8	Rear	FRC8387	1		
		Change point - VIN begin VA541628, Change point - VIN end VA558898	(-) V8, Rear	FTC3705	1		
		Change point - VIN begin VA710669	(-) V8, Rear	FTC3705	1		
		Change point - VIN end LA081991	Rear	FRC8387	1		
		2	Joint-propshaft universal		Also serviced as part of a kit	RTC4587	2
3	Nipple-grease		UNF	549229	1		
4	Nipple-grease	Change point - VIN end LA081991	Also serviced as part of a kit, ANF	234532	1		
		Change point - VIN begin VA541628, Change point - VIN end VA558898, V8	Also serviced as part of a kit	276201	1		
		Change point - VIN begin VA541628, Change point - VIN end VA558898, V8	Also serviced as part of a kit, ANF	234532	1		
		Change point - VIN end LA081991	Also serviced as part of a kit	276201	1		
5	Nut - Hex.		3/8, UNF	NZ606041L	8		
6	Bolt		3/8, UNF	509045P	4		
7	Nut - Hex.		M12	NV112041L	6		
8	Washer-Plain		12MM	FTC4044	12		
9	Bolt		M12 x 65	FTC4043	6		
10	Kit-propshaft coupling	Change point - VIN begin MA081992, Change point - VIN end VA541627		STC2794	1		
		Change point - VIN end VA710668		STC2794	1		
11	Gaiter-propshaft sliding joint	Change point - VIN begin MA081992, Change point - VIN end VA541627		STC2955	1		
		Change point - VIN end VA710668		STC2955	1		

Callout	Name	Application	Remarks & Restrictions	Service No.	Qty
[900]	Gaiter-propshaft sliding joint	Change point - VIN begin MA081992, Change point - VIN end TA199999 Change point - VIN begin TA500000, Change point - VIN end VA541627 Change point - VIN begin TA700000, Change point - VIN end VA710668		TVE100000 TVE100000 TVE100000	1 1 1
[901]	Joint-propshaft universal	Change point - VIN begin MA081992, Change point - VIN end TA199999 Change point - VIN begin TA500000, Change point - VIN end VA541627 Change point - VIN begin TA700000, Change point - VIN end VA710668		TVC100010 TVC100010 TVC100010	1 1 1
[902]	Nipple-grease	Change point - VIN begin MA081992, Change point - VIN end TA199999 Change point - VIN begin TA500000, Change point - VIN end VA541627 Change point - VIN begin TA700000, Change point - VIN end VA710668 Change point - VIN begin MA081992, Change point - VIN end TA199999 Change point - VIN begin TA500000, Change point - VIN end VA541627 Change point - VIN begin TA700000, Change point - VIN end VA710668	UNF UNF UNF	TYL100030 TYL100030 TYL100030 TYL100040 TYL100040 TYL100040	1 1 1 1 1 1
[903]	Circlip			242522	4
[904]	Kit-propshaft coupling	Change point - VIN begin MA081992, Change point - VIN end TA199999 Change point - VIN begin TA500000, Change point - VIN end VA541627 Change point - VIN begin TA700000, Change point - VIN end VA710668	Also serviced as part of a kit Also serviced as part of a kit Also serviced as part of a kit	TVF100010 TVF100010 TVF100010	1 1 1
[905]	Propellor shaft		Rear	TVB000150	1
[906]	Bush	Change point - VIN begin MA081992, Change point - VIN end VA541627 Change point - VIN end VA710668		STC2932 STC2932	X X





Change point - VIN begin MA081992

Callout	Name	Application	Remarks & Restrictions	Service No.	Qty
1	Axle/drive unit-4x4 rear	Change point - VIN begin MA018992, Change point - VIN end VA710668, Less Anti-Lock Braking System	Asbestos Free, 3-Bolt Propshaft Flange, Axle Code 46S	FTC3724	1
		Change point - VIN begin VA541628, Change point - VIN end VA558898, V8, Less Anti-Lock Braking System	Asbestos Free, 4-bolt Propshaft Flange, Axle Code 57S	FTC5410	1
		Change point - VIN begin VA710669, V8, Less Anti-Lock Braking System	Asbestos Free, 4-bolt Propshaft Flange, Axle Code 57S	FTC5410	1
		Change point - VIN begin MA018992, Change point - VIN end VA710668, All Wheel Anti-Lock Braking System	Asbestos Free, 3-Bolt Propshaft Flange, Axle Code 47S	FTC3725	1
		Change point - VIN begin VA541628, Change point - VIN end VA558898, V8, All Wheel Anti-Lock Braking System	Asbestos Free, 4-bolt Propshaft Flange, Axle Code 56S	FTC5411	1
		Change point - VIN begin VA710669, V8, All Wheel Anti-Lock Braking System	Asbestos Free, 4-bolt Propshaft Flange, Axle Code 56S	FTC5411	1

Axles & Suspension

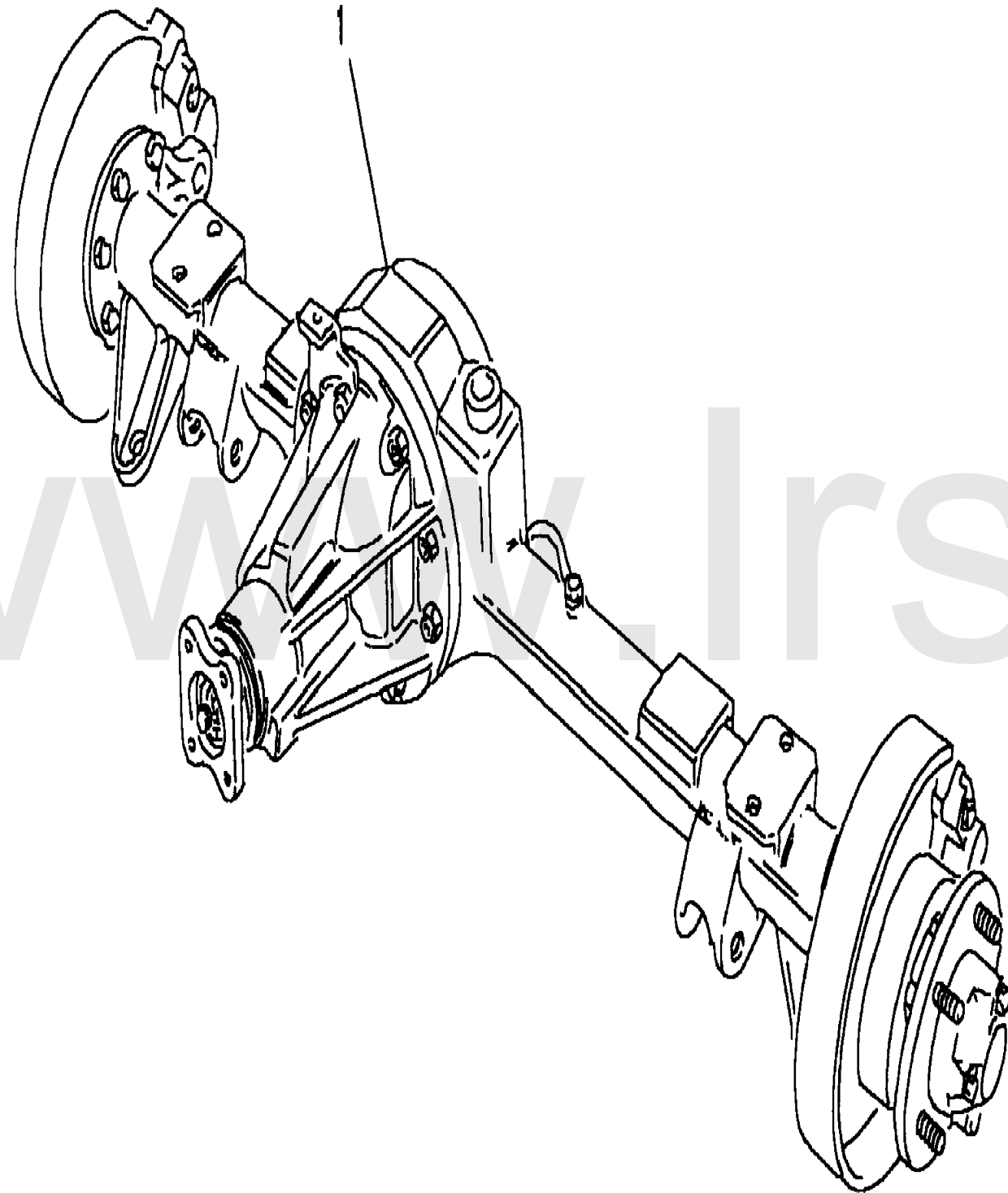
Discovery

(FA393361-WA799999)

Rear Axle

Axle Assembly Rear 1/2

(CAEXEA1A)



Discovery

(FA393361-WA799999)

Axles & Suspension

Rear Axle

Axle Assembly Rear

Change point - VIN end LA081991

Callout	Name	Application	Remarks & Restrictions	Service No.	Qty
1	Axle/drive unit-4x4 rear	Change point - Axle begin 28S00001C, Change point - Axle end 28S28134C, Less Anti-Lock Braking System	less splash shield	FTC490	1
		Change point - Axle begin 28S00001C, Change point - Axle end 28S28134C, Less Anti-Lock Braking System	splash shield	FTC613	1
		Change point - Axle begin 28S00001C, Change point - Axle end 28S28134C, Less Anti-Lock Braking System	less splash shield	STC3405	1
		Change point - Axle begin 32S00001A, Change point - Axle end 32S25429A, Less Anti-Lock Braking System	Asbestos Free, less splash shield	FTC1468	1
		Change point - Axle begin 32S00001A, Change point - Axle end 32S25429A, Less Anti-Lock Braking System	Asbestos Free, splash shield	FTC1478	1
		Change point - Axle begin 28S28135C, Change point - Axle end 28S54417C, Less Anti-Lock Braking System	Asbestos Free	FTC3090	1
		Change point - Axle begin 32S25430A, Change point - Axle end 32S29118B, Less Anti-Lock Braking System	Asbestos Free	FTC3090	1
		Change point - Axle begin 28S28135C, Change point - Axle end 28S54417C, Less Anti-Lock Braking System	Asbestos Free	STC3596	1
		Change point - Axle begin 32S25430A, Change point - Axle end 32S29118B, Less Anti-Lock Braking System	Asbestos Free	STC3596	1
		Change point - Axle begin 28S54417D, Change point - Axle end 28S99999D, Less Anti-Lock Braking System	Asbestos Free	FTC3438	1
		Change point - Axle begin 32S29119B, Change point - Axle end 32S99999B, Less Anti-Lock Braking System	Asbestos Free	FTC3438	1
		Change point - Axle begin 28S54417D, Change point - Axle end 28S99999D, Less Anti-Lock Braking System	Asbestos Free	STC3269	1

SEP 04

482

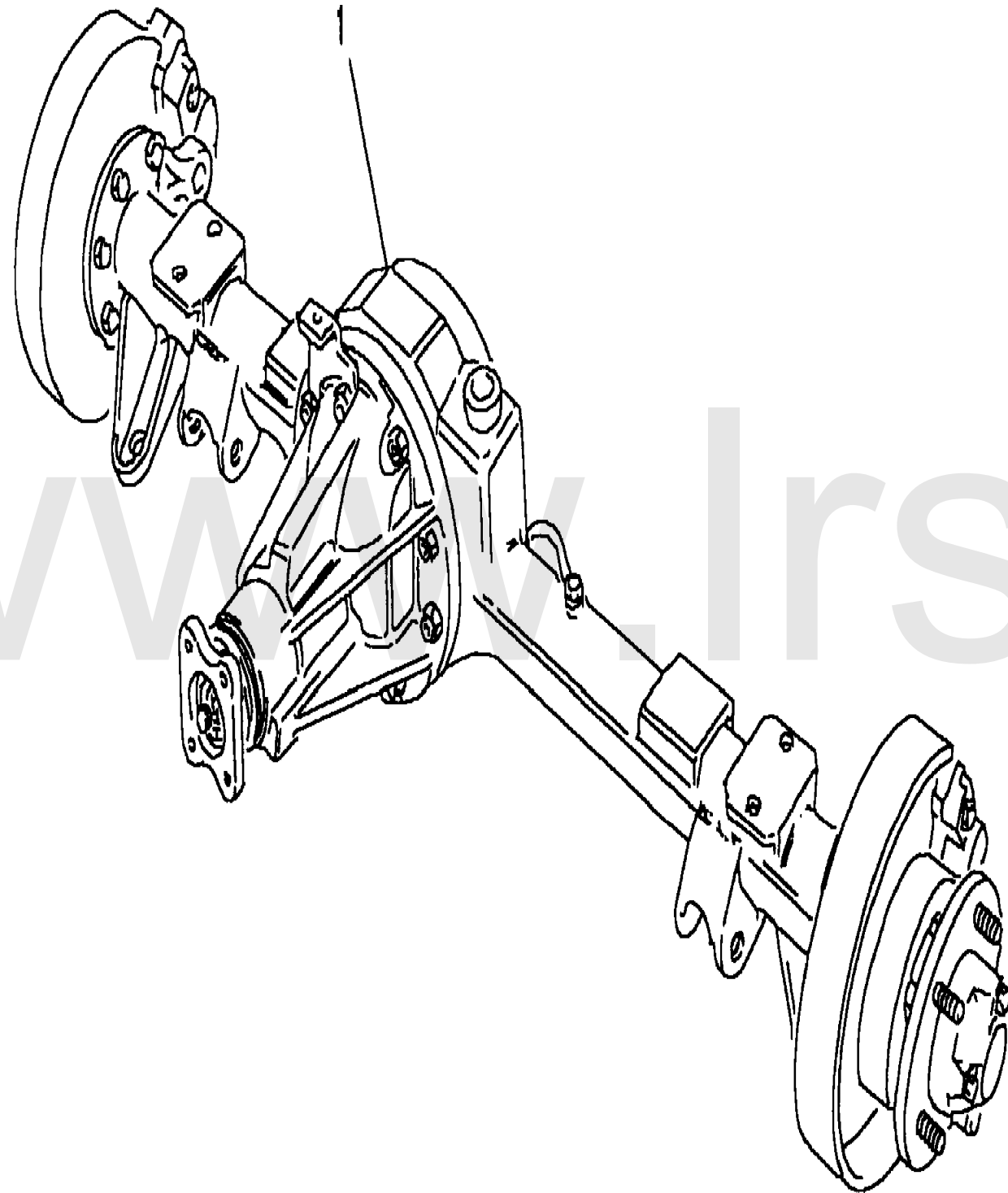
Axles & Suspension

Discovery (FA393361-WA799999)

Rear Axle

Axle Assembly Rear 2/2

(CAEXEA1A)



482

SEP 04

Discovery (FA393361-WA799999)

Axles & Suspension

Rear Axle

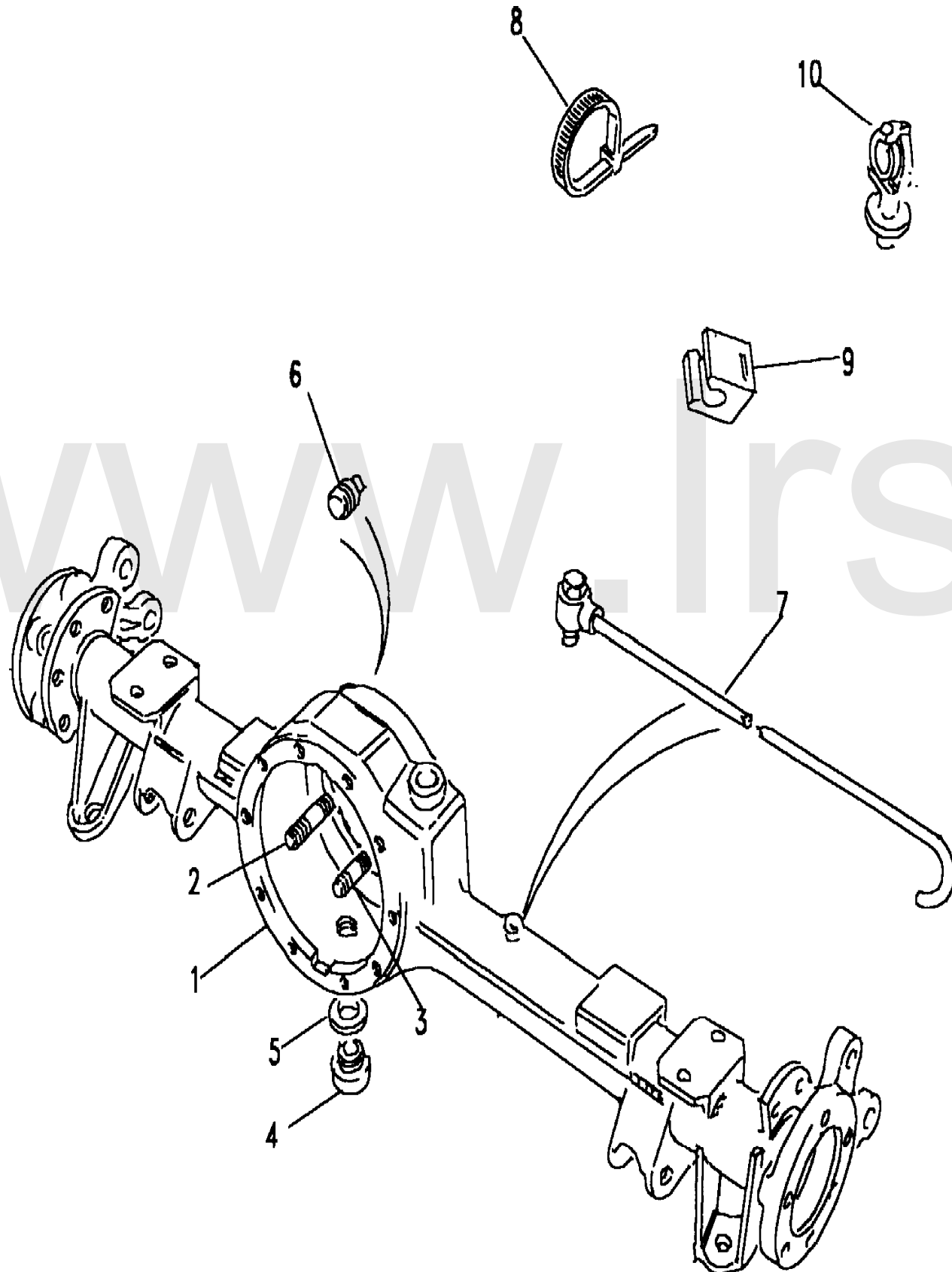
Axle Assembly Rear

Change point - VIN end LA081991

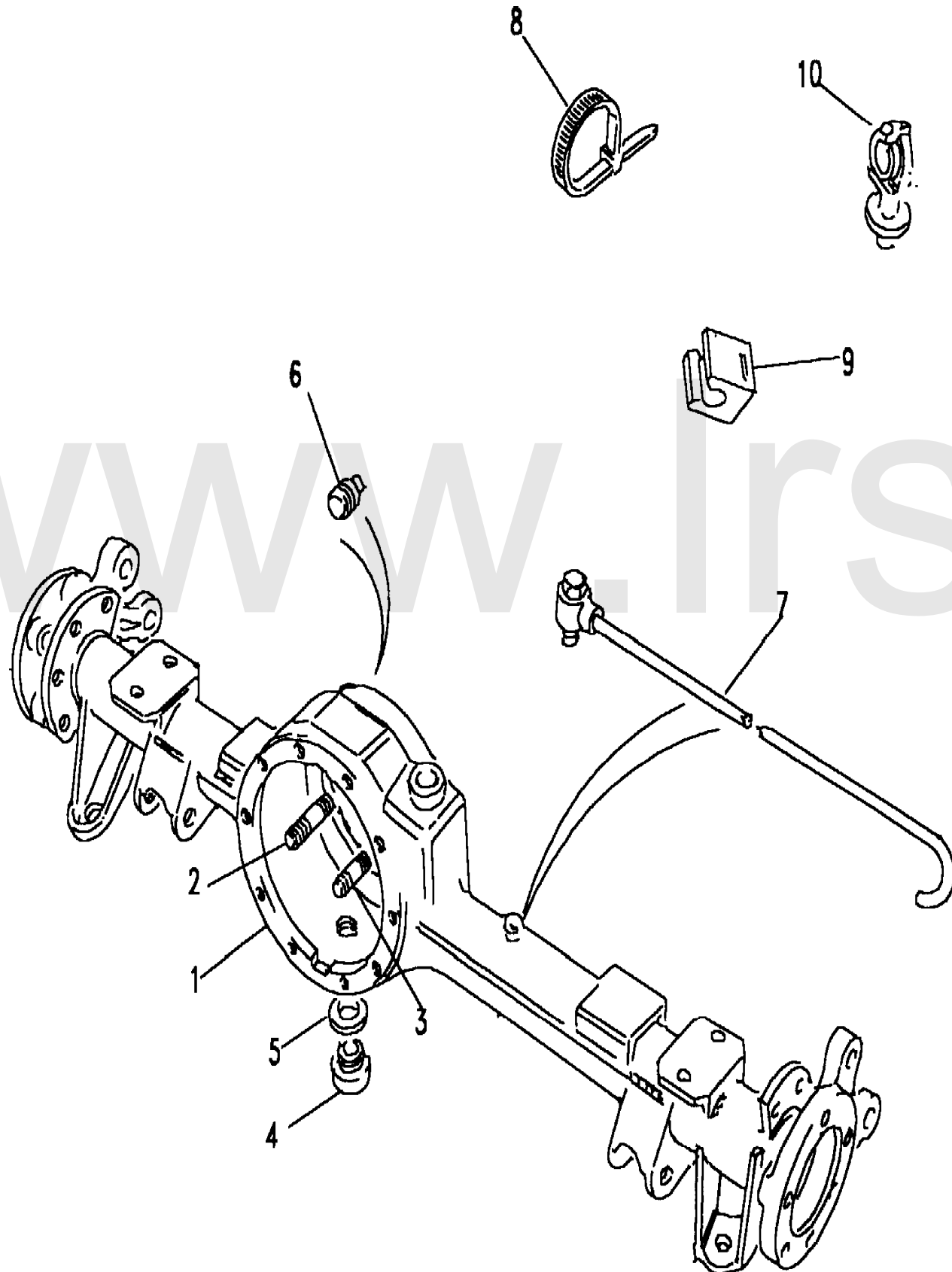
Callout	Name	Application	Remarks & Restrictions	Service No.	Qty
1	Axle/drive unit-4x4 rear	Change point - Axle begin 32S29119B, Change point - Axle end 32S99999B, Less Anti-Lock Braking System	Asbestos Free	STC3269	1

www.lrservice.ru

Callout	Name	Application	Remarks & Restrictions	Service No.	Qty
1	Case-rear axle	Change point - Axle begin 28S00001, Change point - Axle end 28S44171, Less Anti-Lock Braking System	Also serviced as part of a kit	FRC9229	1
		Change point - Axle begin 32S00001, Change point - Axle end 32S29121, Less Anti-Lock Braking System	Also serviced as part of a kit	FRC9229	1
		Change point - Axle begin 28S44172, Change point - Axle end 28S99999, Less Anti-Lock Braking System	Also serviced as part of a kit	FTC3434	1
		Change point - Axle begin 32S29122, Change point - Axle end 32S99999, Less Anti-Lock Braking System	Also serviced as part of a kit	FTC3434	1
		Less Anti-Lock Braking System	Kit	STC435	1
		Change point - Axle begin 46S00001, Less Anti-Lock Braking System	Also serviced as part of a kit	FTC3436	1
		Change point - Axle begin 46S00001	NO LONGER AVAILABLE	FTC3437	1
2	Stud	Change point - Axle begin 28S00001, Change point - Axle end 28S44171, Less Anti-Lock Braking System	Also serviced as part of a kit, 3/8UNF x 1 3/4	561196	6
		Change point - Axle begin 32S00001, Change point - Axle end 32S29121, Less Anti-Lock Braking System	Also serviced as part of a kit, 3/8UNF x 1 3/4	561196	6
		Change point - Axle begin 28S44172, Change point - Axle end 28S99999, Less Anti-Lock Braking System	Also serviced as part of a kit, 3/8UNF x 1 3/4	561196	10
		Change point - Axle begin 32S29122, Change point - Axle end 32S99999, Less Anti-Lock Braking System	Also serviced as part of a kit, 3/8UNF x 1 3/4	561196	10
		Change point - Axle begin 46S00001, Less Anti-Lock Braking System	Also serviced as part of a kit, 3/8UNF x 1 3/4	561196	10
3	Stud	Change point - Axle begin 28S00001, Change point - Axle end 28S44171, Less Anti-Lock Braking System	Also serviced as part of a kit, 3/8UNF x 1 1/4	561195	4
		Change point - Axle begin 32S00001, Change point - Axle end 32S29121, Less Anti-Lock Braking System	Also serviced as part of a kit, 3/8UNF x 1 1/4	561195	4
4	Plug-drain/filler level	Change point - Axle begin 28S00001, Change point - Axle end 28S44171, Less Anti-Lock Braking System	Also serviced as part of a kit	608246	2
		Change point - Axle begin 32S00001, Change point - Axle end 32S29121, Less Anti-Lock Braking System	Also serviced as part of a kit	608246	2
5	Washer-sealing		axle drain plug	515599	1

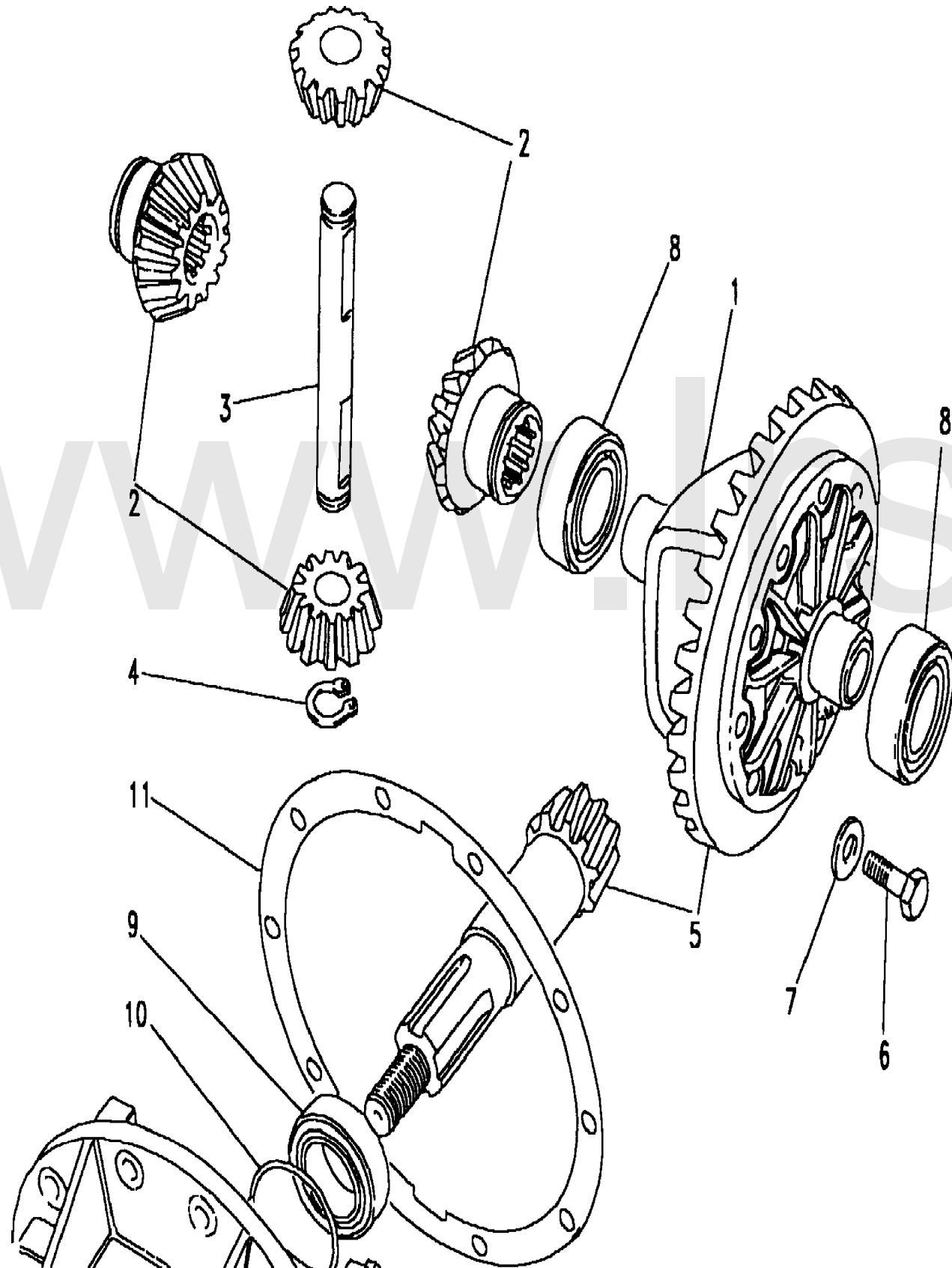


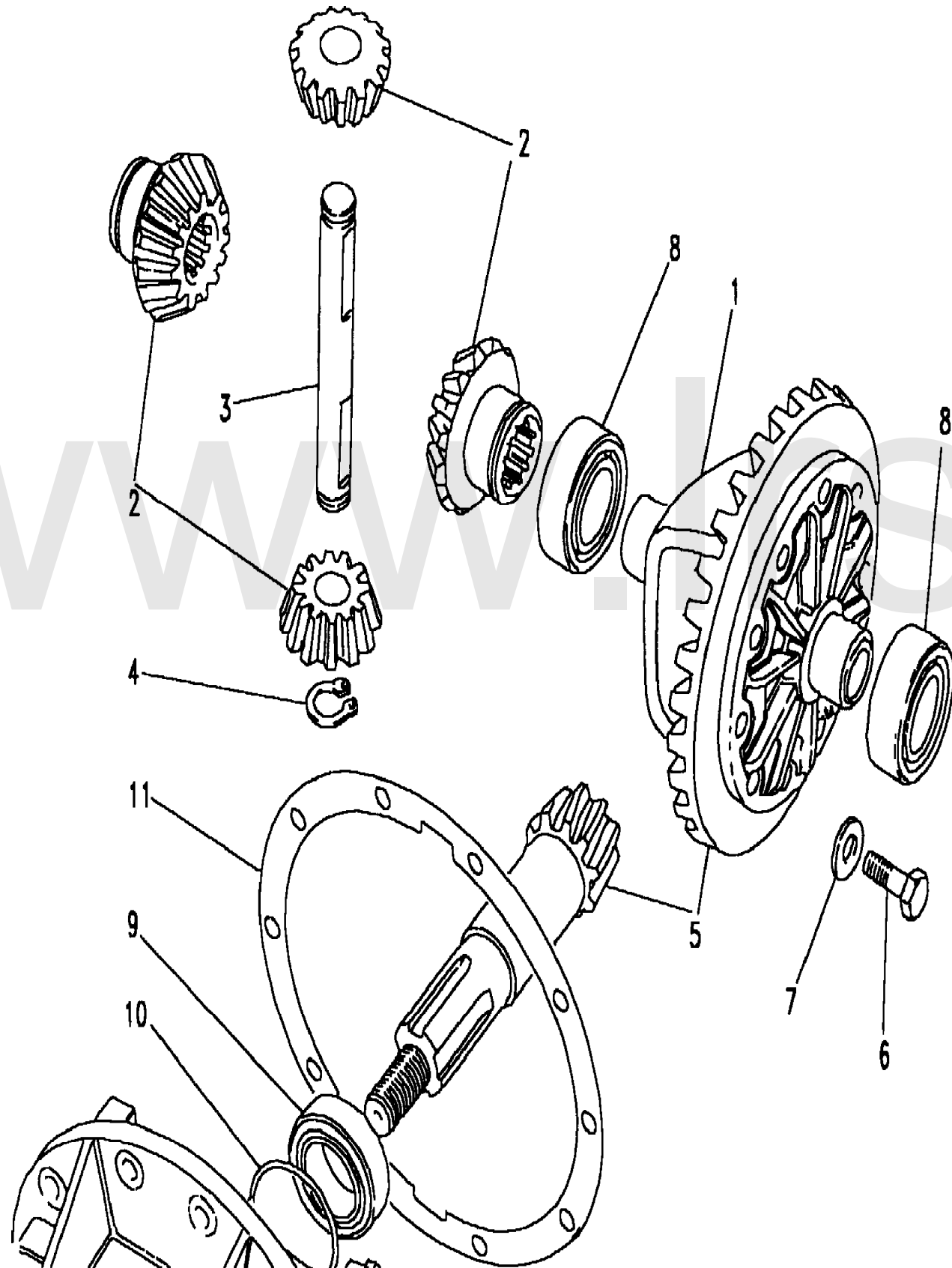
Callout	Name	Application	Remarks & Restrictions	Service No.	Qty
6	Plug-drain/filler level	Change point - Axle begin 46S00001, Less Anti-Lock Braking System	Also serviced as part of a kit	608246	2
7	Pipe-rear axle breather		Also serviced as part of a kit	FTC2176	1
8	Tie-cable		4.8 x 270mm, inside serated	568680	3
9	Clip-Pipe			NRC9246	3
10	Clip-Pipe		Single	79123	1
[900]	Bolt-banjo		Also serviced as part of a kit	595478	1
[901]	Washer-sealing		axle breather hose banjo, Also serviced as part of a kit	232039	2



www.lrservice.ru

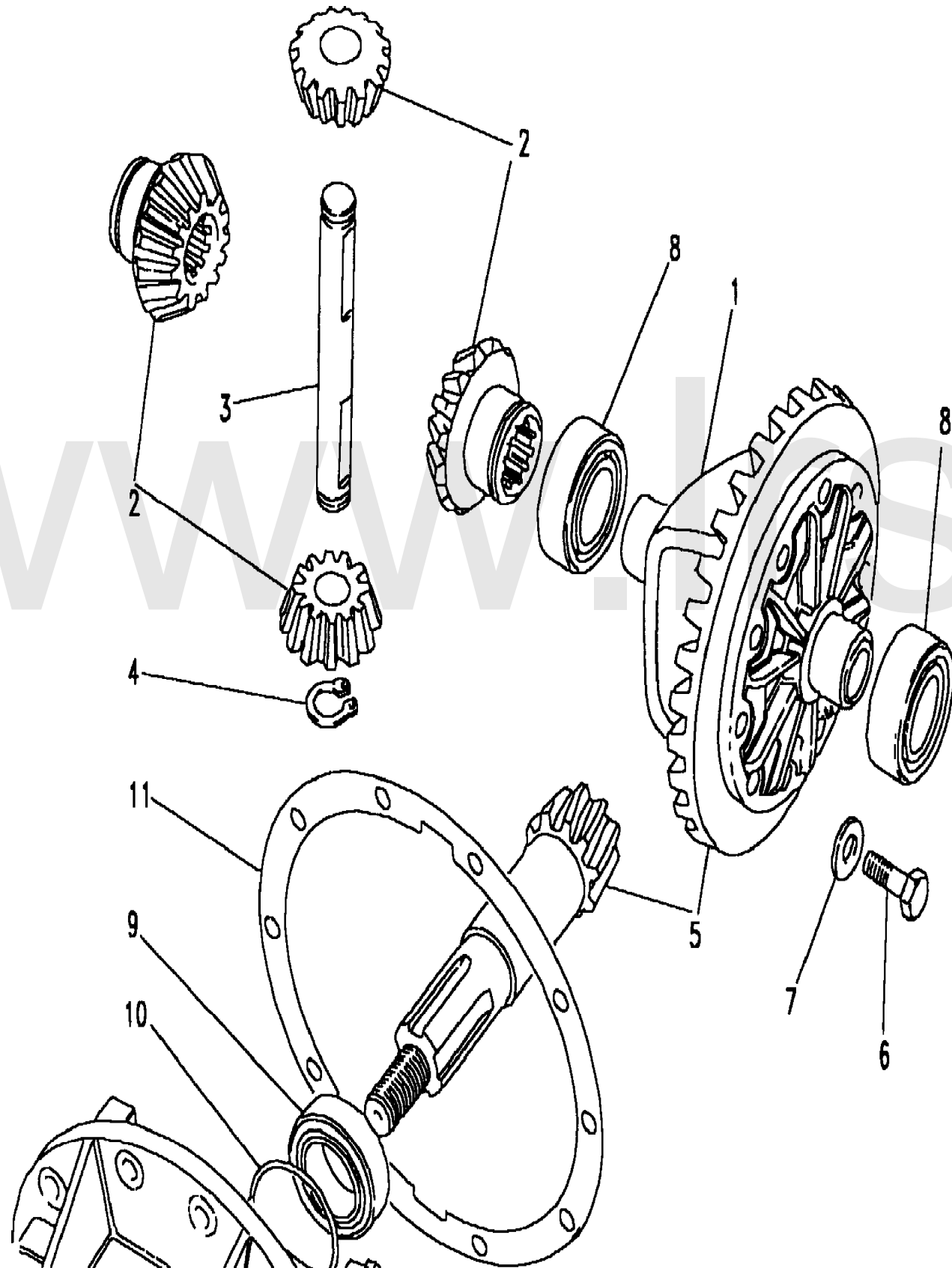
Callout	Name	Application	Remarks & Restrictions	Service No.	Qty
1	Case - Differential	Change point - Axle begin 28S00001, Change point - Axle end 28S44171	10 spline shaft	FRC2933	1
		Change point - Axle begin 28S44172, Change point - Axle end 28S99999	24 spline shaft	FTC3269	1
2	Kit-differential gears	Change point - Axle begin 28S00001, Change point - Axle end 28S44171	Use With 10 Spline Halfshaft, Also serviced as part of a kit, 10 spline shaft	STC851	1
		Change point - Axle begin 32S00001, Change point - Axle end 32S29121	Use With 10 Spline Halfshaft, Also serviced as part of a kit, 10 spline shaft	STC851	1
			Also serviced as part of a kit, 10 spline shaft	STC1768	1
		Change point - Axle begin 28S44172, Change point - Axle end 28S99999	Use With 24 Spline Halfshaft	FTC3267	2
		Change point - Axle begin 32S29122, Change point - Axle end 32S99999	Use With 24 Spline Halfshaft	FTC3267	2
		Change point - Axle begin 28S44172, Change point - Axle end 28S99999	Use With 24 Spline Halfshaft	FTC3268	2
		Change point - Axle begin 32S29122, Change point - Axle end 32S99999	Use With 24 Spline Halfshaft	FTC3268	2
3	Cross shaft differential	Change point - Axle begin 28S00001, Change point - Axle end 28S44171	Use With 10 Spline Halfshaft, 10 spline shaft, Also serviced as part of a kit	599945	1
		Change point - Axle begin 32S00001, Change point - Axle end 32S29121	Use With 10 Spline Halfshaft, 10 spline shaft, Also serviced as part of a kit	599945	1
			10 spline shaft, Also serviced as part of a kit	599945	1
			24 spline shaft, Also serviced as part of a kit	599945	1
				24 spline shaft	STC1846
4	Circlip	Change point - Axle begin 28S00001, Change point - Axle end 28S44171	Use With 10 Spline Halfshaft, 10 spline shaft, Also serviced as part of a kit	CCN110L	2
		Change point - Axle begin 32S00001, Change point - Axle end 32S29121	Use With 10 Spline Halfshaft, 10 spline shaft, Also serviced as part of a kit	CCN110L	2
			10 spline shaft, Also serviced as part of a kit	CCN110L	2
			24 spline shaft, Also serviced as part of a kit	CCN110L	2
5	Crownwheel and pinion assembly	Change point - Axle begin 28S00001, Change point - Axle end 28S44171		FTC781	1
		Change point - Axle begin 32S00001, Change point - Axle end 32S29121		FTC781	1
		Change point - Axle begin 28S44172, Change point - Axle end 28S99999		FTC3620	1

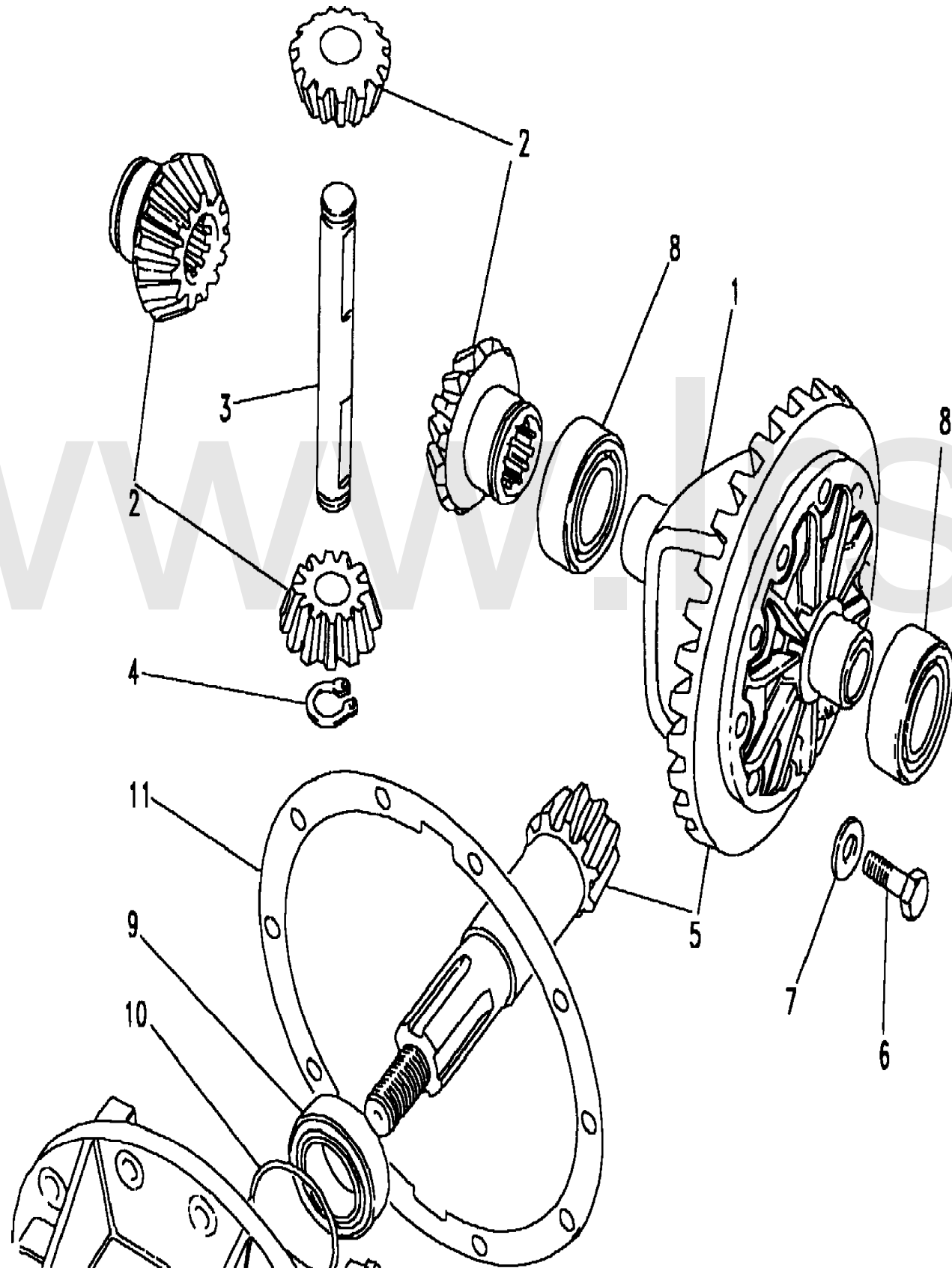




Callout	Name	Application	Remarks & Restrictions	Service No.	Qty
5	Crownwheel and pinion assembly	Change point - Axle begin 32S29122, Change point - Axle end 32S99999		FTC3620	1
6	Bolt	Change point - Axle begin 28S00001, Change point - Axle end 28S44171		593692	10
		Change point - Axle begin 32S00001, Change point - Axle end 32S29121		593692	10
		Change point - Axle begin 28S44172, Change point - Axle end 28S99999	3/8UNF	FTC3586	10
		Change point - Axle begin 32S29122, Change point - Axle end 32S99999	3/8UNF	FTC3586	10
7	Washer-Plain			593693	10
8	Bearing-taper roller differential	Change point - Axle begin 28S00001, Change point - Axle end 28S44171		RTC2726	1
		Change point - Axle begin 32S00001, Change point - Axle end 32S29121		RTC2726	1
		Change point - Axle begin 28S44172, Change point - Axle end 28S99999		STC1602	1
		Change point - Axle begin 32S29122, Change point - Axle end 32S99999		STC1602	1
		Change point - Axle begin 28S44172, Change point - Axle end 28S99999		RTC3095	1
		Change point - Axle begin 32S29122, Change point - Axle end 32S99999		RTC3095	1
9	Bearing-taper roller			539706	1
10	Shim	Change point - Axle begin 28S00001, Change point - Axle end 28S44171	0.038", imperial	549230	X
		Change point - Axle begin 32S00001, Change point - Axle end 32S29118	0.038", imperial	549230	X
		Change point - Axle begin 28S00001, Change point - Axle end 28S44171	imperial, 0.04"	549232	X
		Change point - Axle begin 32S00001, Change point - Axle end 32S29118	imperial, 0.04"	549232	X
		Change point - Axle begin 28S00001, Change point - Axle end 28S44171	imperial, 0.042"	549234	X
		Change point - Axle begin 32S00001, Change point - Axle end 32S29118	imperial, 0.042"	549234	X
		Change point - Axle begin 28S00001, Change point - Axle end 28S44171	imperial, 0.042"	549234	X
		Change point - Axle begin 32S00001, Change point - Axle end 32S29118	imperial, 0.042"	549234	X
		Change point - Axle begin 28S00001, Change point - Axle end 28S44171	imperial, 0.044"	549236	X

Callout	Name	Application	Remarks & Restrictions	Service No.	Qty
10	Shim	Change point - Axle begin 32S00001, Change point - Axle end 32S29118	imperial, 0.044"	549236	X
		Change point - Axle begin 28S00001, Change point - Axle end 28S44171	imperial, 0.046"	549238	X
		Change point - Axle begin 32S00001, Change point - Axle end 32S29118	imperial, 0.046"	549238	X
		Change point - Axle begin 28S00001, Change point - Axle end 28S44171	imperial, 0.048"	549240	X
		Change point - Axle begin 32S00001, Change point - Axle end 32S29118	imperial, 0.048"	549240	X
		Change point - Axle begin 28S00001, Change point - Axle end 28S44171	imperial, 0.050"	549242	X
		Change point - Axle begin 32S00001, Change point - Axle end 32S29118	imperial, 0.050"	549242	X
		Change point - Axle begin 28S00001, Change point - Axle end 28S44171	imperial, 0.052"	549244	X
		Change point - Axle begin 32S00001, Change point - Axle end 32S29118	imperial, 0.052"	549244	X
		Change point - Axle begin 28S00001, Change point - Axle end 28S44171	imperial, 0.054"	549246	X
		Change point - Axle begin 32S00001, Change point - Axle end 32S29118	imperial, 0.054"	549246	X
		Change point - Axle begin 28S00001, Change point - Axle end 28S44171	imperial, 0.056"	549248	X
		Change point - Axle begin 32S00001, Change point - Axle end 32S29118	imperial, 0.056"	549248	X
		Change point - Axle begin 28S00001, Change point - Axle end 28S44171	imperial, 0.058"	549250	X
		Change point - Axle begin 32S00001, Change point - Axle end 32S29118	imperial, 0.058"	549250	X
		Change point - Axle begin 28S00001, Change point - Axle end 28S44171	imperial, 0.060"	549252	X
		Change point - Axle begin 32S00001, Change point - Axle end 32S29118	imperial, 0.060"	549252	X
		Change point - Axle begin 28S00001, Change point - Axle end 28S44171	imperial, 0.062"	576236	X
		Change point - Axle begin 32S00001, Change point - Axle end 32S29118	imperial, 0.062"	576236	X
		Change point - Axle begin 28S00001, Change point - Axle end 28S44171	imperial, 0.063"	576237	X
		Change point - Axle begin 32S00001, Change point - Axle end 32S29118	imperial, 0.063"	576237	X

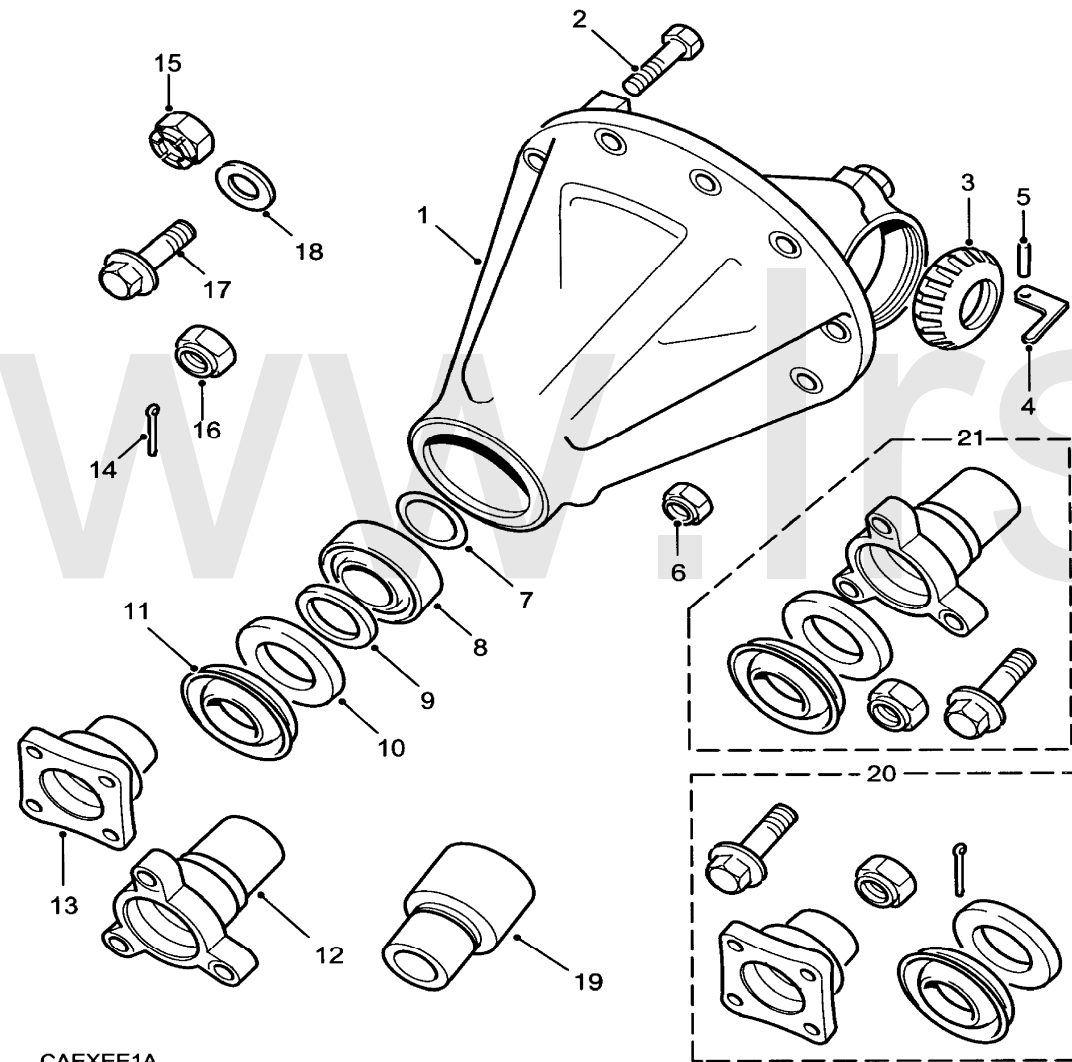




Callout	Name	Application	Remarks & Restrictions	Service No.	Qty
10	Shim	Change point - Axle begin 28S00001, Change point - Axle end 28S44171	imperial, 0.064"	576238	X
		Change point - Axle begin 32S00001, Change point - Axle end 32S29118	imperial, 0.064"	576238	X
		Change point - Axle begin 28S00001, Change point - Axle end 28S44171	imperial, 0.065"	576239	X
		Change point - Axle begin 32S00001, Change point - Axle end 32S29118	imperial, 0.065"	576239	X
		Change point - Axle begin 28S44172, Change point - Axle end 28S99999	Metric, 1.548mm	FTC3853	X
		Change point - Axle begin 32S29119, Change point - Axle end 32S99999	Metric, 1.548mm	FTC3853	X
		Change point - Axle begin 28S44172, Change point - Axle end 28S99999	Metric, 1.498mm	FTC3855	X
		Change point - Axle begin 32S29119, Change point - Axle end 32S99999	Metric, 1.498mm	FTC3855	X
		Change point - Axle begin 28S44172, Change point - Axle end 28S99999	Metric, 1.448mm	FTC3857	X
		Change point - Axle begin 32S29119, Change point - Axle end 32S99999	Metric, 1.448mm	FTC3857	X
		Change point - Axle begin 28S44172, Change point - Axle end 28S99999	Metric, 1.398mm	FTC3859	X
		Change point - Axle begin 32S29119, Change point - Axle end 32S99999	Metric, 1.398mm	FTC3859	X
		Change point - Axle begin 28S44172, Change point - Axle end 28S99999	Metric, 1.348mm	FTC3861	X
		Change point - Axle begin 32S29119, Change point - Axle end 32S99999	Metric, 1.348mm	FTC3861	X
		Change point - Axle begin 28S44172, Change point - Axle end 28S99999	Metric, 1.298mm	FTC3863	X
		Change point - Axle begin 32S29119, Change point - Axle end 32S99999	Metric, 1.298mm	FTC3863	X
		Change point - Axle begin 28S44172, Change point - Axle end 28S99999	Metric, 1.248mm	FTC3865	X
		Change point - Axle begin 32S29119, Change point - Axle end 32S99999	Metric, 1.248mm	FTC3865	X
		Change point - Axle begin 28S44172, Change point - Axle end 28S99999	Metric, 1.198mm	FTC3867	X
		Change point - Axle begin 32S29119, Change point - Axle end 32S99999	Metric, 1.198mm	FTC3867	X
11	Gasket-differential housing to axle case			7316	1

Axles & Suspension  
Rear Axle  
Differential 1/6

Discovery (FA393361-WA799999)  
(CAEXEE1A)



CAEXEE1A

Discovery (FA393361-WA799999)

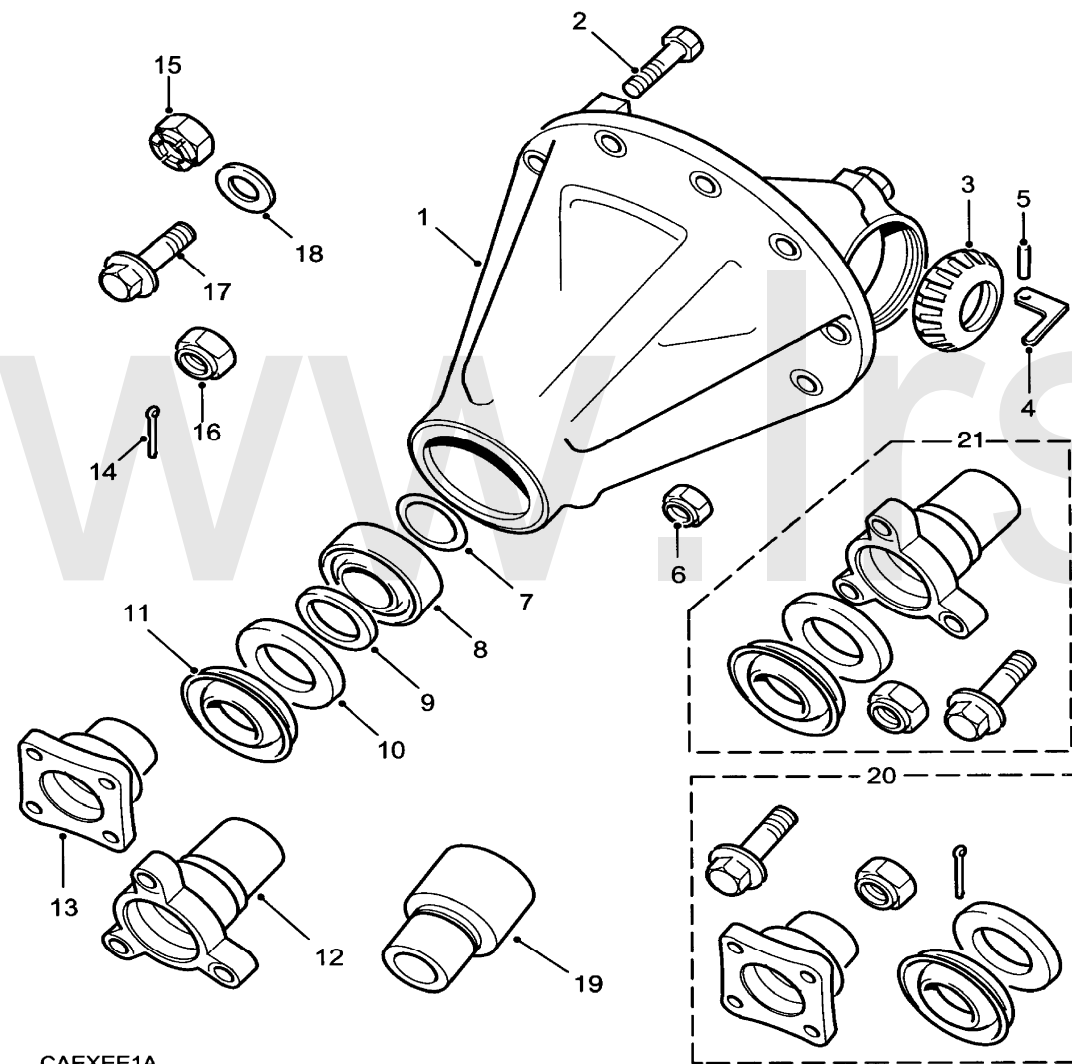
Axles & Suspension  
Rear Axle  
Differential

Callout	Name	Application	Remarks & Restrictions	Service No.	Qty	
1	Differential Assy	Change point - Axle begin 32S00001, Change point - Axle end 32S29121	10 spline shaft, 4 bolt flange, New	FTC2750	1	
		Change point - Axle begin 28S00001, Change point - Axle end 28S44171	10 spline shaft, 4 bolt flange, New	FTC2750	1	
		Change point - Axle begin 32S00001, Change point - Axle end 32S29121	10 spline shaft, 4 bolt flange, reconditioned	FTC2750R	1	
		Change point - Axle begin 28S00001, Change point - Axle end 28S44171	10 spline shaft, 4 bolt flange, reconditioned	FTC2750R	1	
		Change point - VIN begin VA541628, Change point - VIN end VA558998, V8	24 spline shaft, 4 bolt flange, New	FTC3272	1	
		Change point - VIN begin VA710869, V8	24 spline shaft, 4 bolt flange, New	FTC3272	1	
		Change point - Axle begin 32S29122, Change point - Axle end 32S99999	24 spline shaft, 4 bolt flange, New	FTC3272	1	
		Change point - Axle begin 28S44172, Change point - Axle end 28S99999	24 spline shaft, 4 bolt flange, New	FTC3272	1	
		Change point - VIN begin VA541628, Change point - VIN end VA558998, V8	24 spline shaft, 4 bolt flange, reconditioned	FTC3272R	1	
		Change point - VIN begin VA710869, V8	24 spline shaft, 4 bolt flange, reconditioned	FTC3272R	1	
		Change point - Axle begin 32S29122, Change point - Axle end 32S99999	24 spline shaft, 4 bolt flange, reconditioned	FTC3272R	1	
		Change point - Axle begin 28S44172, Change point - Axle end 28S99999	24 spline shaft, 4 bolt flange, reconditioned	FTC3272R	1	
			24 spline shaft, New, 3 bolt flange	FTC3723	1	
			24 spline shaft, reconditioned, 3 bolt flange	FTC3723E	1	
		3	Ring-differential locking	10 spline shaft, New	FRC5204	X
				10 spline shaft, New	FTC4210	2
10 spline shaft, reconditioned	FRC5204			X		
10 spline shaft, reconditioned	FTC4210			2		
		FRC5204	X			
		FTC4210	2			
4	Tab-differential locking ring	10 spline shaft, New	FRC5661	2		
		10 spline shaft, reconditioned	FRC5661	2		
			FRC5661	2		
5	Pin-roll-spring tension	10 spline shaft, New	576159	2		
		10 spline shaft, reconditioned	576159	2		
			576159	2		

Axles & Suspension  
Rear Axle  
Differential 2/6

Discovery (FA393361-WA799999)

(CAEXEE1A)



CAEXEE1A

Discovery (FA393361-WA799999)

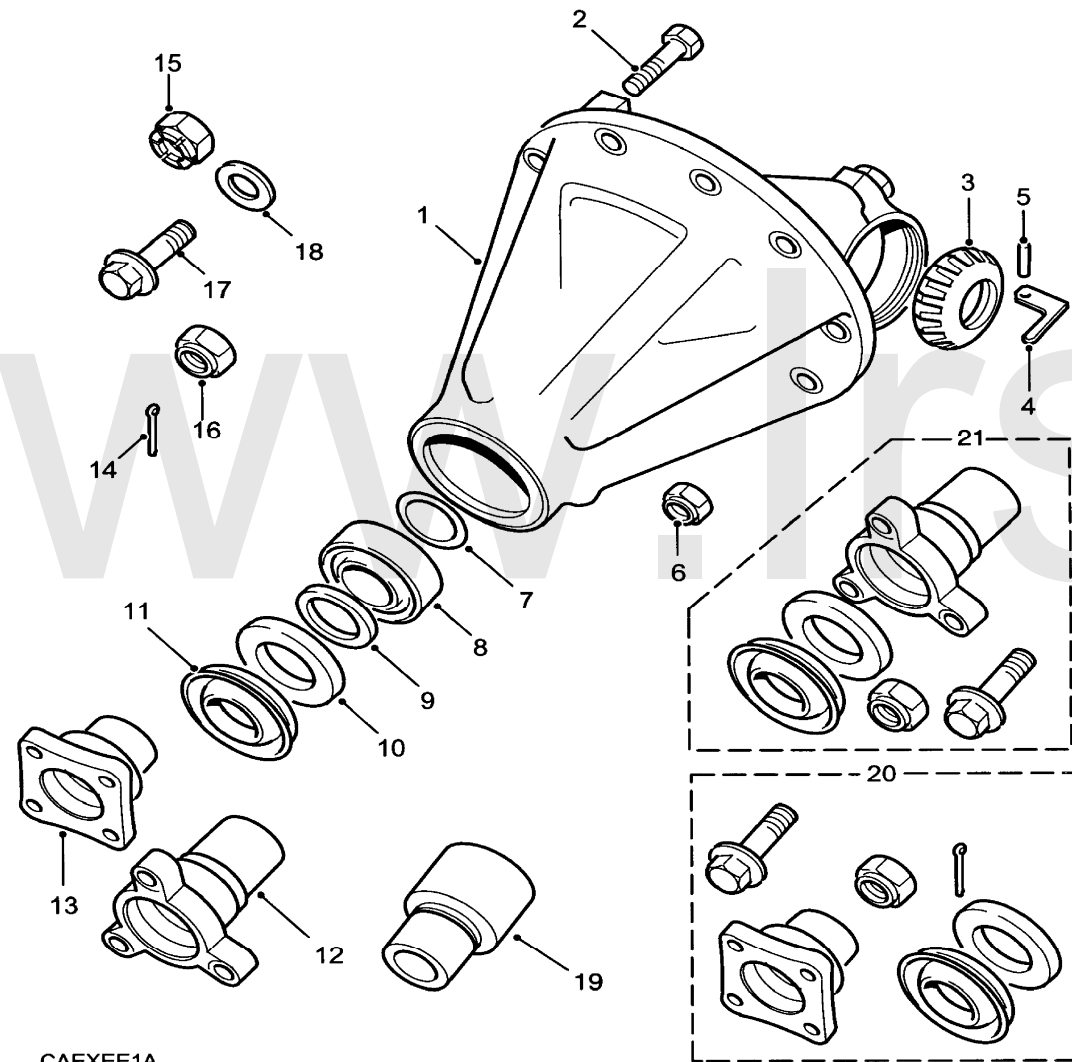
Axles & Suspension  
Rear Axle  
Differential

Callout	Name	Application	Remarks & Restrictions	Service No.	Qty
6	Nut - Hex.		10 spline shaft, New	NY606041L	10
			10 spline shaft, reconditioned	NY606041L	10
			3/8" UNF	NY606041L	10
7	Shim-bearing differential	Change point - Axle begin 32S00001, Change point - Axle end 32S29121	10 spline shaft, 0.050"	FRC1193	X
			10 spline shaft, 0.050"	FRC1193	X
			10 spline shaft, 0.062"	FRC1195	X
			10 spline shaft, 0.062"	FRC1195	X
			10 spline shaft, 0.064"	FRC1197	X
			10 spline shaft, 0.064"	FRC1197	X
			10 spline shaft, 0.066"	FRC1199	X
			10 spline shaft, 0.066"	FRC1199	X
			10 spline shaft, 0.068"	FRC1201	X
			10 spline shaft, 0.068"	FRC1201	X
			10 spline shaft, 0.070"	FRC1203	X
			10 spline shaft, 0.070"	FRC1203	X
			10 spline shaft, 0.072"	539718	X
			10 spline shaft, 0.072"	539718	X
			10 spline shaft, 0.074"	539720	X
			10 spline shaft, 0.074"	539720	X
			10 spline shaft, 0.076"	539722	X
			10 spline shaft, 0.076"	539722	X
			10 spline shaft, 0.080"	539724	X

Axles & Suspension  
Rear Axle  
Differential 3/6

Discovery (FA393361-WA799999)

(CAEXEE1A)



CAEXEE1A

Discovery (FA393361-WA799999)

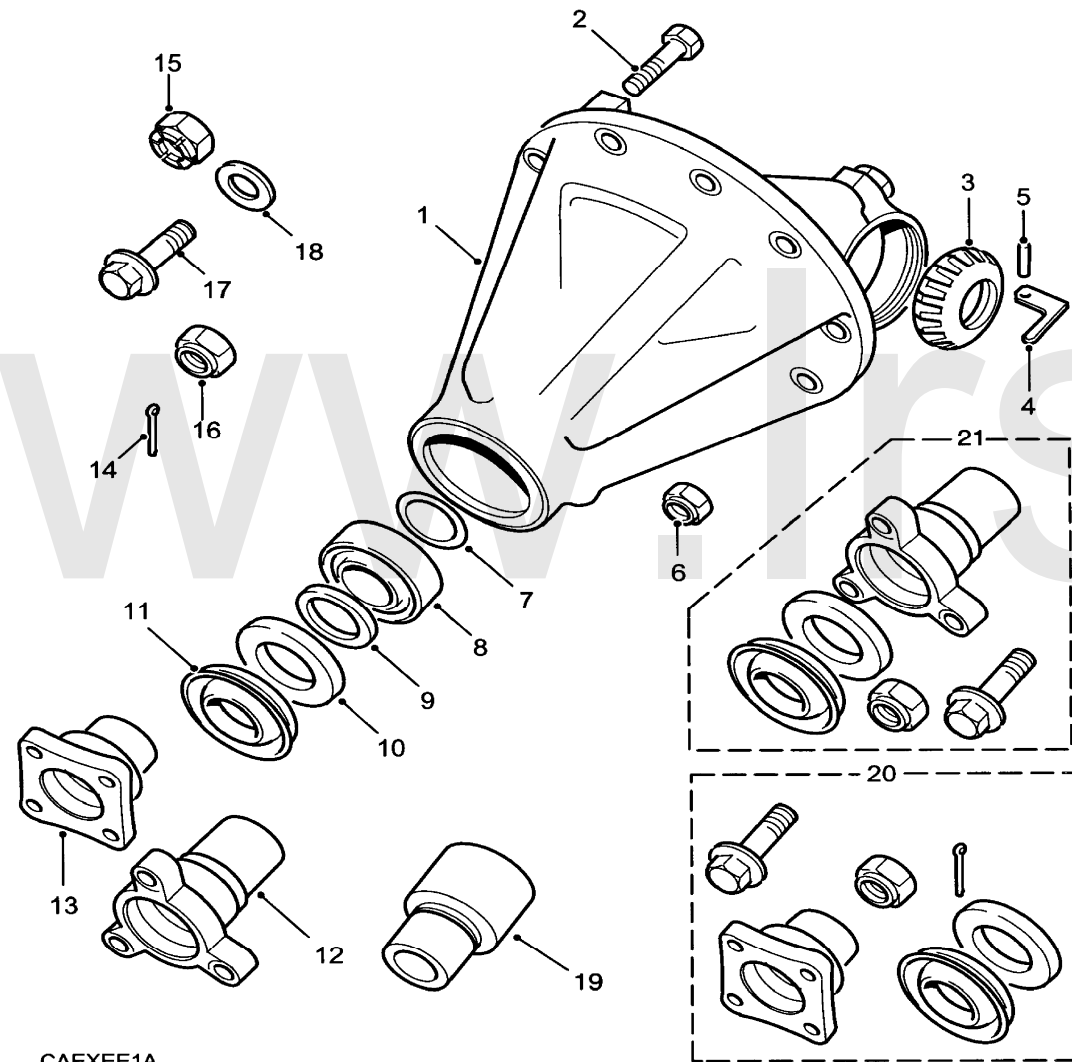
Axles & Suspension  
Rear Axle  
Differential

Callout	Name	Application	Remarks & Restrictions	Service No.	Qty
7	Shim-bearing differential	Change point - Axle begin 28S00001, Change point - Axle end 28S44171	10 spline shaft, 0.080"	539724	X
		Change point - Axle begin 32S29122, Change point - Axle end 32S99999	24 spline shaft, 2.155MM	FTC3869	X
		Change point - Axle begin 28S44172, Change point - Axle end 28S99999	24 spline shaft, 2.155MM	FTC3869	X
		Change point - Axle begin 32S29122, Change point - Axle end 32S99999	24 spline shaft, 2.105mm	FTC3871	X
		Change point - Axle begin 28S44172, Change point - Axle end 28S99999	24 spline shaft, 2.105mm	FTC3871	X
		Change point - Axle begin 32S29122, Change point - Axle end 32S99999	24 spline shaft, 2.055mm	FTC3873	X
		Change point - Axle begin 28S44172, Change point - Axle end 28S99999	24 spline shaft, 2.055mm	FTC3873	X
		Change point - Axle begin 32S29122, Change point - Axle end 32S99999	24 spline shaft, 2.005mm	FTC3875	X
		Change point - Axle begin 28S44172, Change point - Axle end 28S99999	24 spline shaft, 2.005mm	FTC3875	X
		Change point - Axle begin 32S29122, Change point - Axle end 32S99999	24 spline shaft, 1.955mm	FTC3877	X
		Change point - Axle begin 28S44172, Change point - Axle end 28S99999	24 spline shaft, 1.955mm	FTC3877	X
		Change point - Axle begin 32S29122, Change point - Axle end 32S99999	24 spline shaft, 1.905mm	FTC3879	X
		Change point - Axle begin 28S44172, Change point - Axle end 28S99999	24 spline shaft, 1.905mm	FTC3879	X
		Change point - Axle begin 32S29122, Change point - Axle end 32S99999	24 spline shaft, 1.855mm	FTC3881	X
		Change point - Axle begin 28S44172, Change point - Axle end 28S99999	24 spline shaft, 1.855mm	FTC3881	X
		Change point - Axle begin 32S29122, Change point - Axle end 32S99999	24 spline shaft, 1.805mm	FTC3883	X
		Change point - Axle begin 28S44172, Change point - Axle end 28S99999	24 spline shaft, 1.805mm	FTC3883	X
		Change point - Axle begin 32S29122, Change point - Axle end 32S99999	24 spline shaft, 1.755mm	FTC3885	X
		Change point - Axle begin 28S44172, Change point - Axle end 28S99999	24 spline shaft, 1.755mm	FTC3885	X
		Change point - Axle begin 32S29122, Change point - Axle end 32S99999	24 spline shaft, 1.705mm	FTC3887	X
		Change point - Axle begin 28S44172, Change point - Axle end 28S99999	24 spline shaft, 1.705mm	FTC3887	X

Axles & Suspension  
Rear Axle  
Differential 4/6

Discovery (FA393361-WA799999)

(CAEXEE1A)



CAEXEE1A

Discovery (FA393361-WA799999)

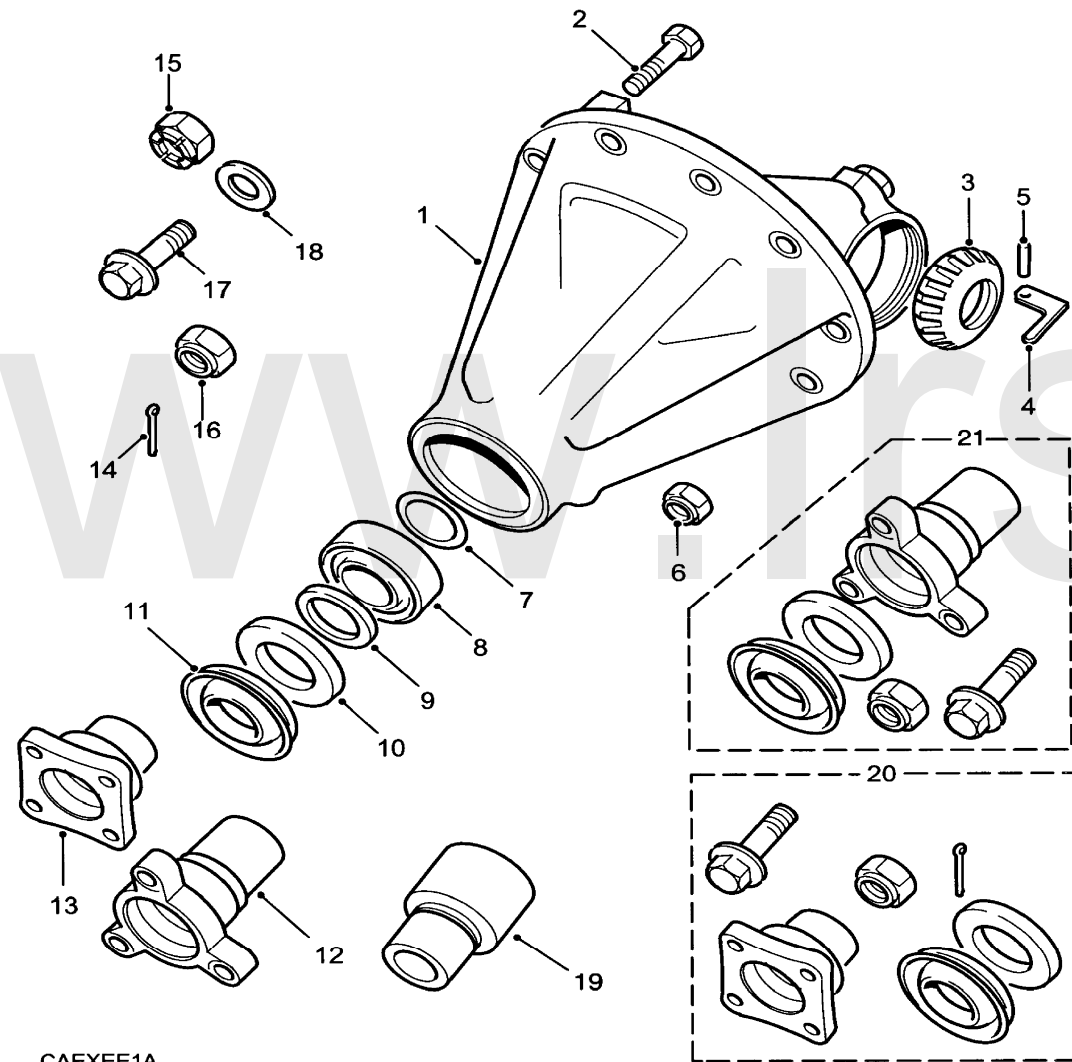
Axles & Suspension  
Rear Axle  
Differential

Callout	Name	Application	Remarks & Restrictions	Service No.	Qty
7	Shim-bearing differential	Change point - Axle begin 32S29122, Change point - Axle end 32S99999	24 spline shaft, 1.655mm	FTC3889	X
		Change point - Axle begin 28S44172, Change point - Axle end 28S99999	24 spline shaft, 1.655mm	FTC3889	X
		Change point - Axle begin 32S29122, Change point - Axle end 32S99999	24 spline shaft, 1.605mm	FTC3891	X
		Change point - Axle begin 28S44172, Change point - Axle end 28S99999	24 spline shaft, 1.605mm	FTC3891	X
		Change point - Axle begin 32S29122, Change point - Axle end 32S99999	24 spline shaft, 1.555mm	FTC3893	X
		Change point - Axle begin 28S44172, Change point - Axle end 28S99999	24 spline shaft, 1.555mm	FTC3893	X
		Change point - Axle begin 32S29122, Change point - Axle end 32S99999	24 spline shaft, 1.505mm	FTC3895	X
		Change point - Axle begin 28S44172, Change point - Axle end 28S99999	24 spline shaft, 1.505mm	FTC3895	X
			2.155MM	TYS101040	X
			2.105mm	TYS101060	X
			2.055mm	TYS101080	X
			2.005mm	TYS101100	X
			1.955mm	TYS101120	X
			1.905mm	TYS101140	X
	1.855mm	TYS101160	X		
	1.805mm	TYS101180	X		
	1.755mm	TYS101200	X		
	1.705mm	TYS101220	X		
	1.655mm	TYS101240	X		
	1.605mm	TYS101260	X		
	1.555mm	TYS101280	X		
	1.505mm	TYS101300	X		
8	Bearing-taper roller			539707	1
9	Spacer-pinion bearing			539745	1
10	Seal	Change point - VIN end VA544244	front & rear	FRC8220	1
		Change point - VIN begin TA700000, Change point - VIN end VA712973	front & rear	FRC8220	1
		Change point - VIN begin VA544245, Change point - VIN end VA558898	front & rear	FTC5258	1
		Change point - VIN begin VA712974	front & rear	FTC5258	1
11	Mudshield-front & rear differential	Change point - VIN end VA544244		FRC8154	1
		Change point - VIN begin TA700000, Change point - VIN end VA712973		FRC8154	1

Axles & Suspension  
Rear Axle  
Differential 5/6

Discovery (FA393361-WA799999)

(CAEXEE1A)



CAEXEE1A

Discovery (FA393361-WA799999)

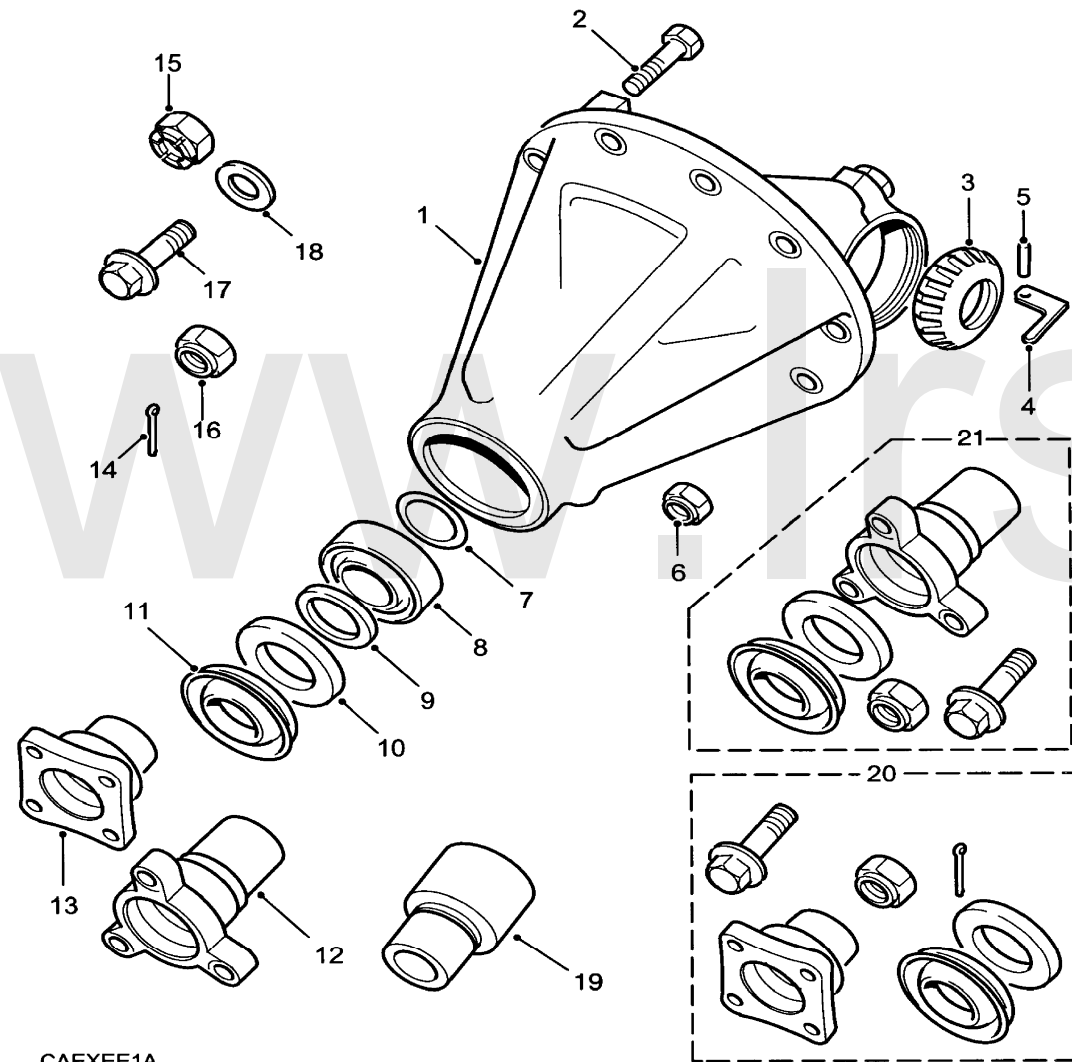
Axles & Suspension  
Rear Axle  
Differential

Callout	Name	Application	Remarks & Restrictions	Service No.	Qty
11	Mudshield-front & rear differential	Change point - VIN begin VA544245, Change point - VIN end VA558898		FTC5317	1
		Change point - VIN begin VA712974		FTC5317	1
12	Flange-driveshaft coupling differential	Change point - VIN begin MA081992	3 bolt flange	FTC3706	X
			3 bolt flange	FTC3729	X
13	Flange-driveshaft coupling differential		4 bolt flange	FRC3002	1
14	Pin - Split	Change point - Axle end 32S29121		PS608101L	1
		Change point - Axle end 28S44171		PS608101L	1
15	Nut - Castle	Change point - Axle end 32S29121		3259	1
		Change point - Axle end 28S44171		3259	1
16	Nut - Hex.	Change point - Axle begin 32S29122, Change point - Axle end 32S99999	M16	NY116041L	1
		Change point - Axle begin 28S44172, Change point - Axle end 28S99999	M16	NY116041L	1
		Change point - Axle begin 46S00001B, Change point - Axle end 46S10361B	M16	NY116041L	1
		Change point - Axle begin 47S00001A, Change point - Axle end 47S90103A	M16	NY116041L	1
		Change point - Axle begin 47S00001A, Change point - Axle end 56S13055A	M16	NY116041L	1
		Change point - Axle begin 57S00001A, Change point - Axle end 57S03162A	M16	NY116041L	1
17	Screw	Change point - Axle begin 46S10362B, Change point - Axle end 46S99999B	M12 x 30	FS112301P	1
		Change point - Axle begin 47S90104A, Change point - Axle end 47S99999A	M12 x 30	FS112301P	1
		Change point - Axle begin 56S13056A, Change point - Axle end 56S99999A	M12 x 30	FS112301P	1
		Change point - Axle begin 57S03163A, Change point - Axle end 57S99999A	M12 x 30	FS112301P	1
18	Washer-Plain	Change point - Axle begin 46A00001B, Change point - Axle end 46S10361B	Nut Securing Flange	90513454	1
		Change point - Axle begin 47S00001A, Change point - Axle end 47S90103A	Nut Securing Flange	90513454	1

Axles & Suspension  
Rear Axle  
Differential 6/6

Discovery (FA393361-WA799999)

(CAEXEE1A)



CAEXEE1A

Discovery (FA393361-WA799999)

Axles & Suspension  
Rear Axle  
Differential

Callout	Name	Application	Remarks & Restrictions	Service No.	Qty
18	Washer-Plain	Change point - Axle begin 56A00001A, Change point - Axle end 56S13055A	Nut Securing Flange	90513454	1
		Change point - Axle begin 57S00001A, Change point - Axle end 57S03132A	Nut Securing Flange	90513454	1
		Change point - Axle begin 46S10362B, Change point - Axle end 46S99999B	Bolt Securing Flange	FTC5413	1
		Change point - Axle begin 47S90104A, Change point - Axle end 47S99999A	Bolt Securing Flange	FTC5413	1
		Change point - Axle begin 56S13056A, Change point - Axle end 56S99999A	Bolt Securing Flange	FTC5413	1
		Change point - Axle begin 57S03163A, Change point - Axle end 57S99999A	Bolt Securing Flange	FTC5413	1
		19	Pin-rear axle drive flange centralising	Change point - VIN begin MA081992, Change point - VIN end TA199999	
Change point - VIN end VA558898, Change point - VIN begin VA541628				FTC3707	1
Change point - VIN begin VA710669				FTC3707	1
20	Flange & mudshield-front & rear axle		4 bolt flange	STC3722	1
21	Flange & mudshield-front & rear axle		3 bolt flange	STC3723	1
[900]	Housing assembly differential/final drive wheel		with filler/level plug	FRC5690	1
		Change point - VIN begin MA118844		FRC4112	1
		Change point - VIN end MA118849	with filler/level plug	FRC5690	1
		Change point - VIN begin MA118844	less filler/level plug	FRC4112	1
[901]	Bolt		M12 x 50MM	BH112101L	4
[902]	Flange-driveshaft coupling differential			FTC5322	1

Axles & Suspension  
Rear Axle  
Hubs And Driveshafts 1/2

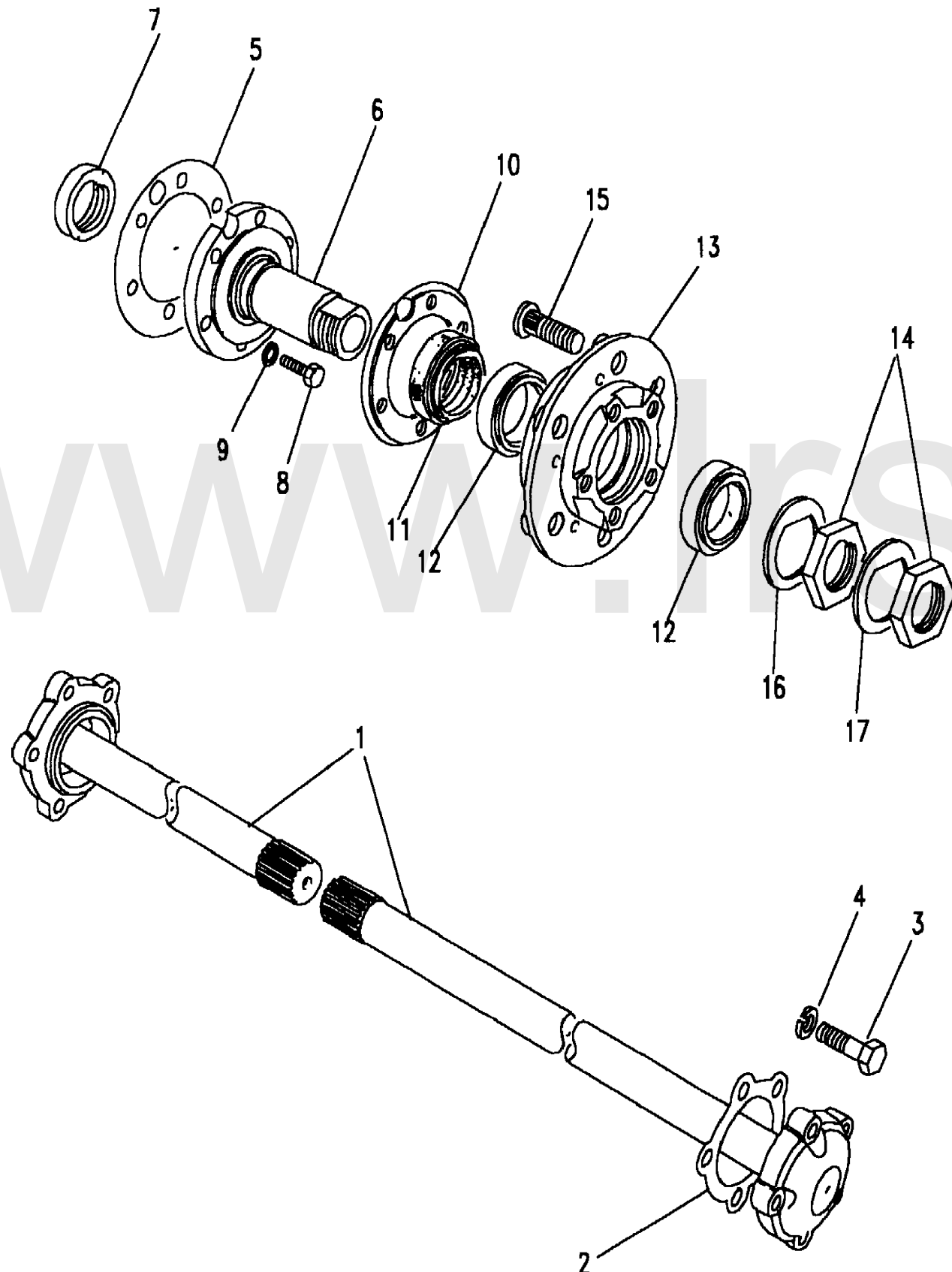
Discovery (FA393361-WA799999)  
(CAEXE12A)

Discovery (FA393361-WA799999)

Axles & Suspension  
Rear Axle  
Hubs And Driveshafts

Change point - VIN begin JA032851

Callout	Name	Application	Remarks & Restrictions	Service No.	Qty		
1	Shaft-rear axle half	Change point - Axle begin 28S00001, Change point - Axle end 28S44171	10 spline shaft, LH	FTC3187	1		
		Change point - Axle begin 32S00001, Change point - Axle end 32S29121	10 spline shaft, LH	FTC3187	1		
		Change point - Axle begin 28S00001, Change point - Axle end 28S44171	RH, 10 spline shaft	FTC3186	1		
		Change point - Axle begin 32S00001, Change point - Axle end 32S29121	RH, 10 spline shaft	FTC3186	1		
		Change point - Axle begin 28S44172, Change point - Axle end 28S99999	24 spline shaft, LH	FTC3271	1		
		Change point - Axle begin 32S29122, Change point - Axle end 32S99999	24 spline shaft, LH	FTC3271	1		
		Change point - Axle begin 28S44172, Change point - Axle end 28S99999	RH, 24 spline shaft	FTC3270	1		
		Change point - Axle begin 32S29122, Change point - Axle end 32S99999	RH, 24 spline shaft	FTC3270	1		
		2	Gasket-axle shaft drive member			571752	2
		3	Bolt		M10 X 45	BX110095M	10
4	Washer		3/8", Square	WM600061L	10		
5	Gasket-stub axle	All Wheel Anti-Lock Braking System	Asbestos Free	FTC3650	2		
		Less Anti-Lock Braking System	Asbestos Free	FTC3648	2		
6	Axle-rear suspension hub stub		Also serviced as part of a kit	FTC3188	2		
7	Seal-stub axle		Inner	FTC3145 FTC5268	2 2		
8	Screw	Change point - VIN begin JA032851, Change point - VIN end VA731771	hexagonal head, M10 x 25	SX110251M	12		
		Change point - VIN begin VA731772	hexagonal head, M10 x 25	SX110257M	12		
9	Washer		M10	WL110001L	12		
10	Plate-front & rear stub axle locking	All Wheel Anti-Lock Braking System		FTC1378	2		
		Less Anti-Lock Braking System		FRC2310	2		
11	Seal assembly-front/rear hub		Inner	FTC2783	2		



Axles & Suspension  
Rear Axle  
Hubs And Driveshafts 2/2

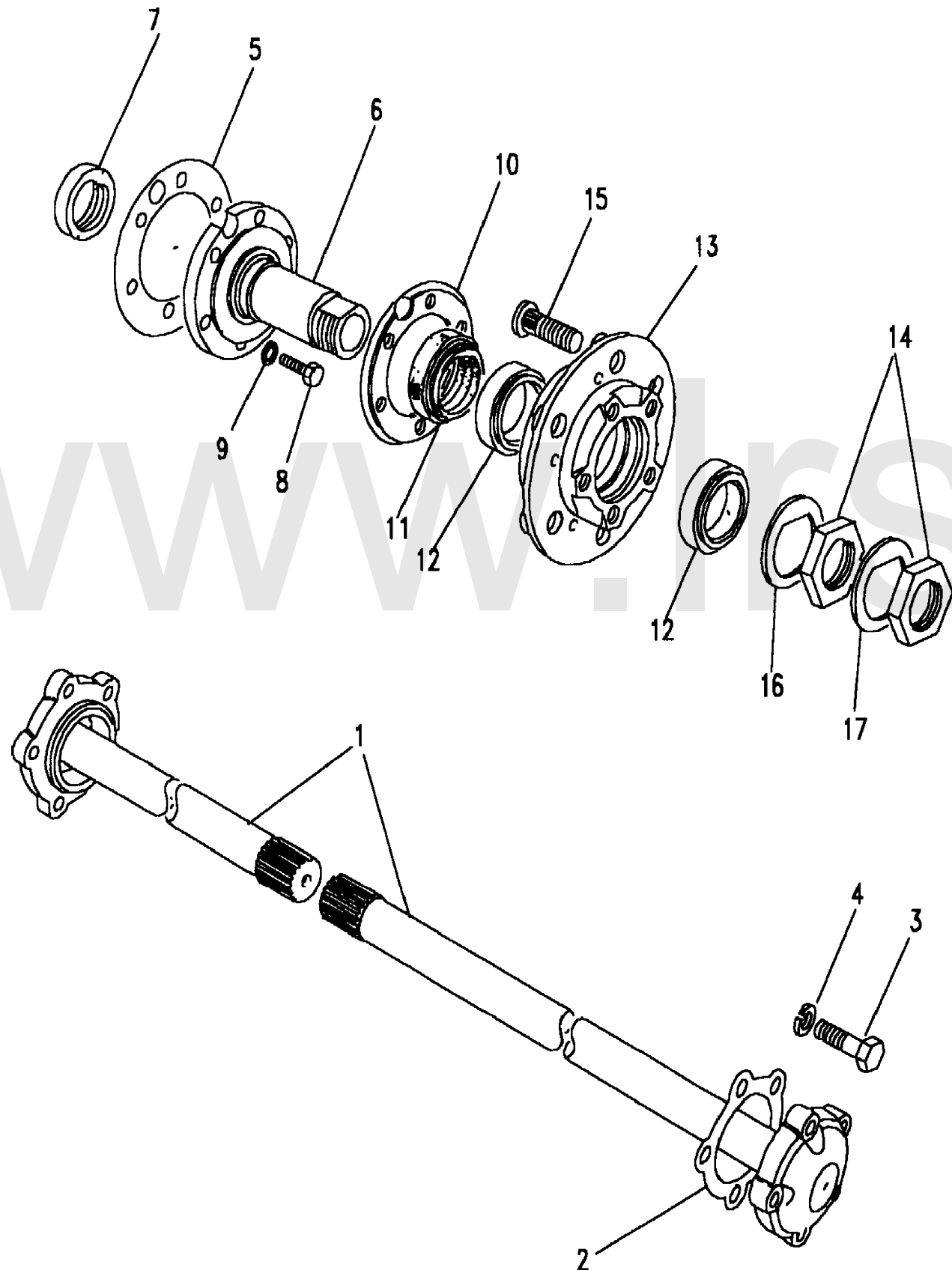
Discovery (FA393361-WA799999)  
(CAEXE12A)

Discovery (FA393361-WA799999)

Axles & Suspension  
Rear Axle  
Hubs And Driveshafts

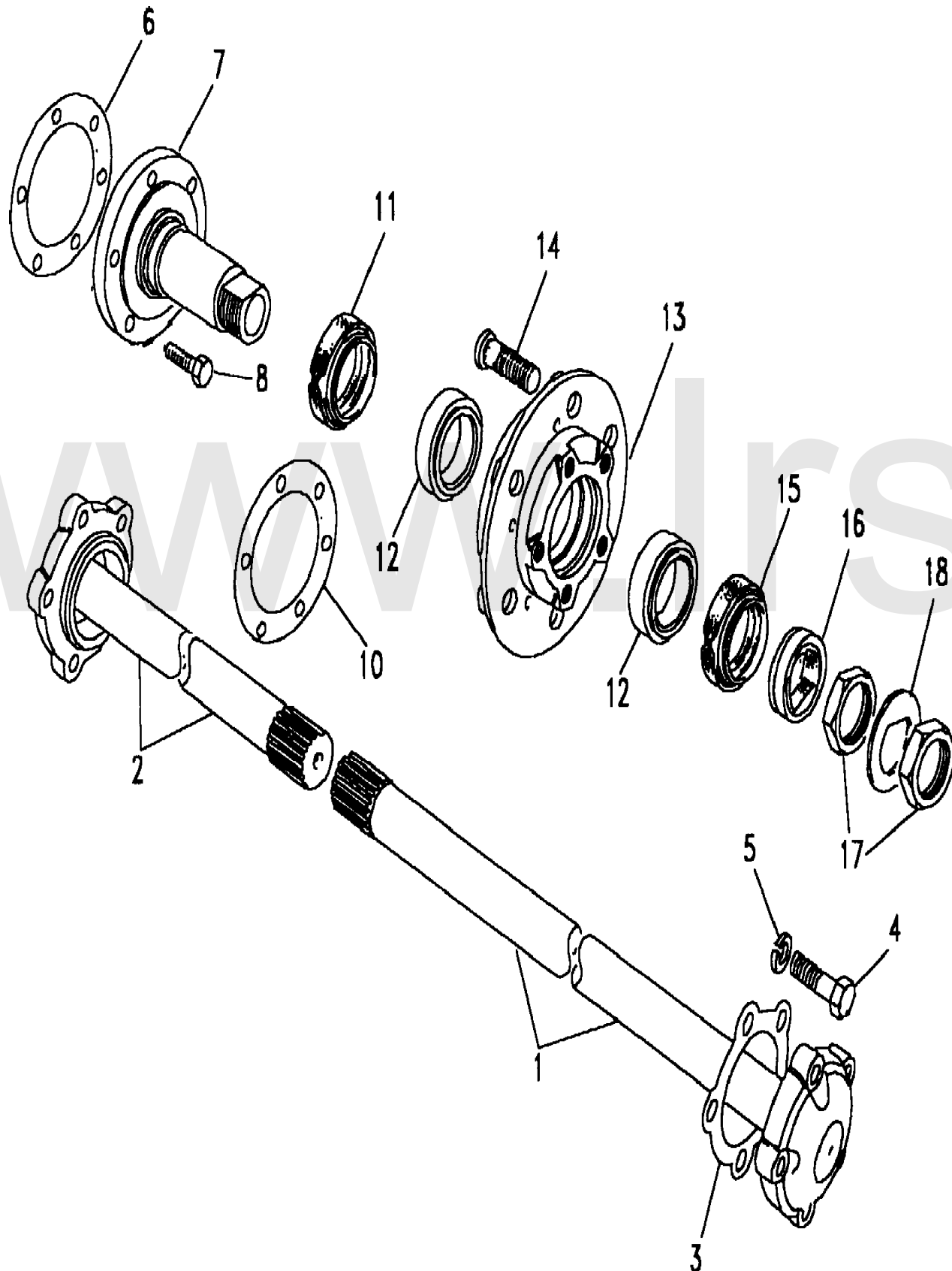
Change point - VIN begin JA032851

Callout	Name	Application	Remarks & Restrictions	Service No.	Qty
11	Seal assembly-front/rear hub		Inner	FTC4785	2
12	Bearing-front/rear axle hub			RTC3429	4
13	Hub assembly-front & rear		Also serviced as part of a kit	FTC860 FTC942	2 2
14	Locknut			FRC8700	4
15	Stud		Also serviced as part of a kit	FRC5926 FRC5926	10 10
16	Washer-front & rear hub nut tab	Change point - VIN begin JA032851, Change point - VIN end TA199999 Change point - VIN begin TA500000, Change point - VIN end TA534102 Change point - VIN begin TA700000, Change point - VIN end TA703235 Change point - VIN begin VA534103, Change point - VIN end VA558898 Change point - VIN begin VA703236		FTC3185 FTC3185 FTC3185 FTC5241 FTC5241	2 2 2 2 2
17	Washer-Lock		Outer	FTC3179	2



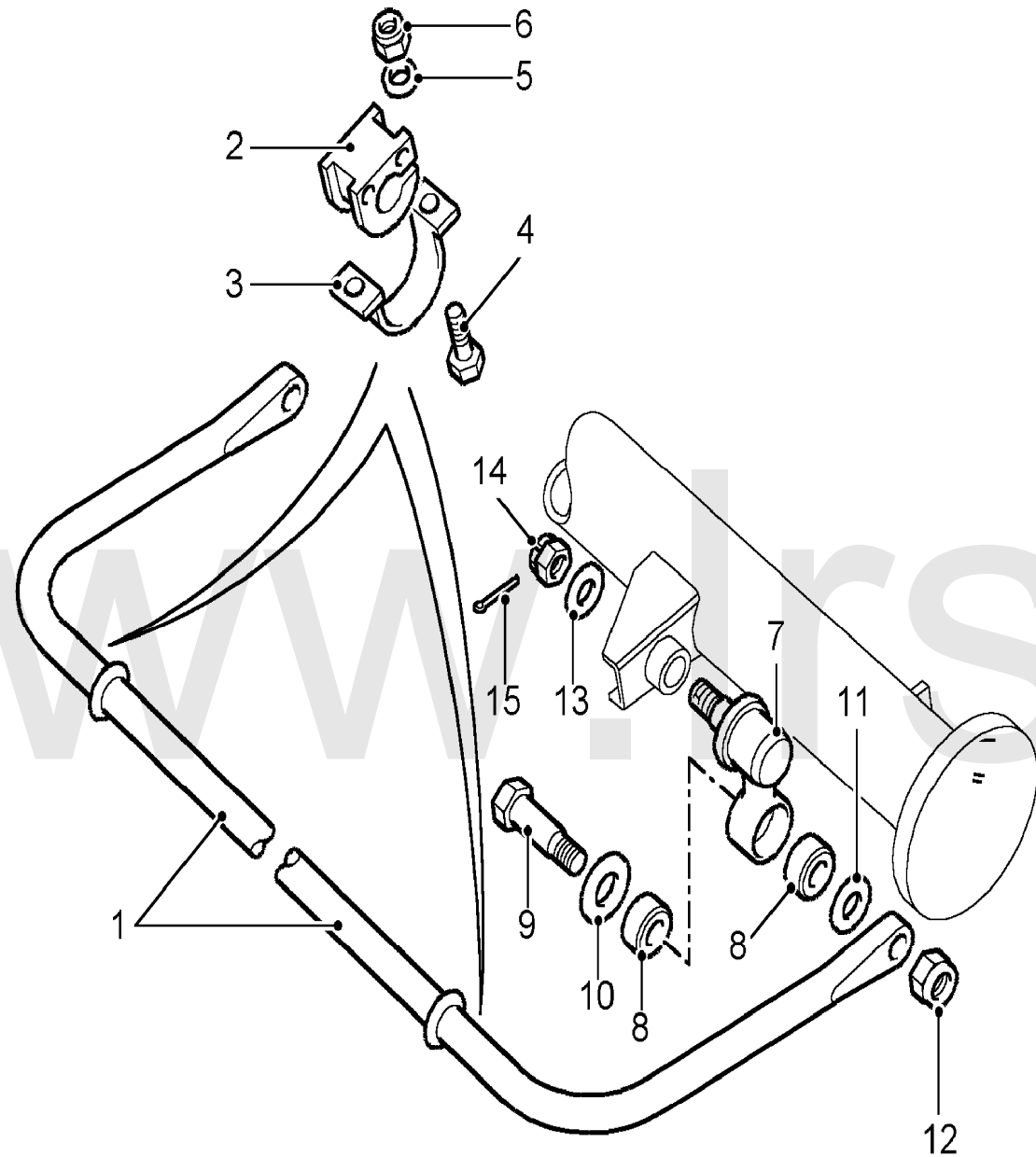
Change point - VIN end JA032850

Callout	Name	Application	Remarks & Restrictions	Service No.	Qty
1	Shaft-rear axle half		RH, 10 spline shaft	571882	1
2	Shaft-rear axle half		10 spline shaft, LH	571883	1
3	Gasket-axle shaft drive member			571752	2
4	Bolt			279146	10
5	Washer		3/8", Square	WM600061L	10
6	Gasket-stub axle		Asbestos Free	FTC3648	2
7	Shaft-stub rear		Also serviced as part of a kit	FRC8005	2
8	Screw		hexagonal head, M10 x 25	SX110251M	12
9	Washer		M10	WL110001L	12
10	Plate-front & rear stub axle locking			FRC2310	2
11	Seal assembly-front/rear hub		Inner	FTC2783	2
			Inner	FTC4785	2
12	Bearing-front/rear axle hub			RTC3429	4
13	Hub assembly- rear		Also serviced as part of a kit	FRC8532	2
14	Stud		Also serviced as part of a kit	FRC5926	10
15	Seal assembly-front/rear hub		Outer	FRC8222	2
16	Spacer			FRC8227	2
17	Locknut			FRC8700	4
18	Washer-Lock			FRC8002	2



Axles & Suspension  
Rear Suspension  
Anti Roll Bar 1/1

Discovery (FA393361-WA799999)  
(LE0004)



Discovery (FA393361-WA799999)

Axles & Suspension  
Rear Suspension  
Anti Roll Bar

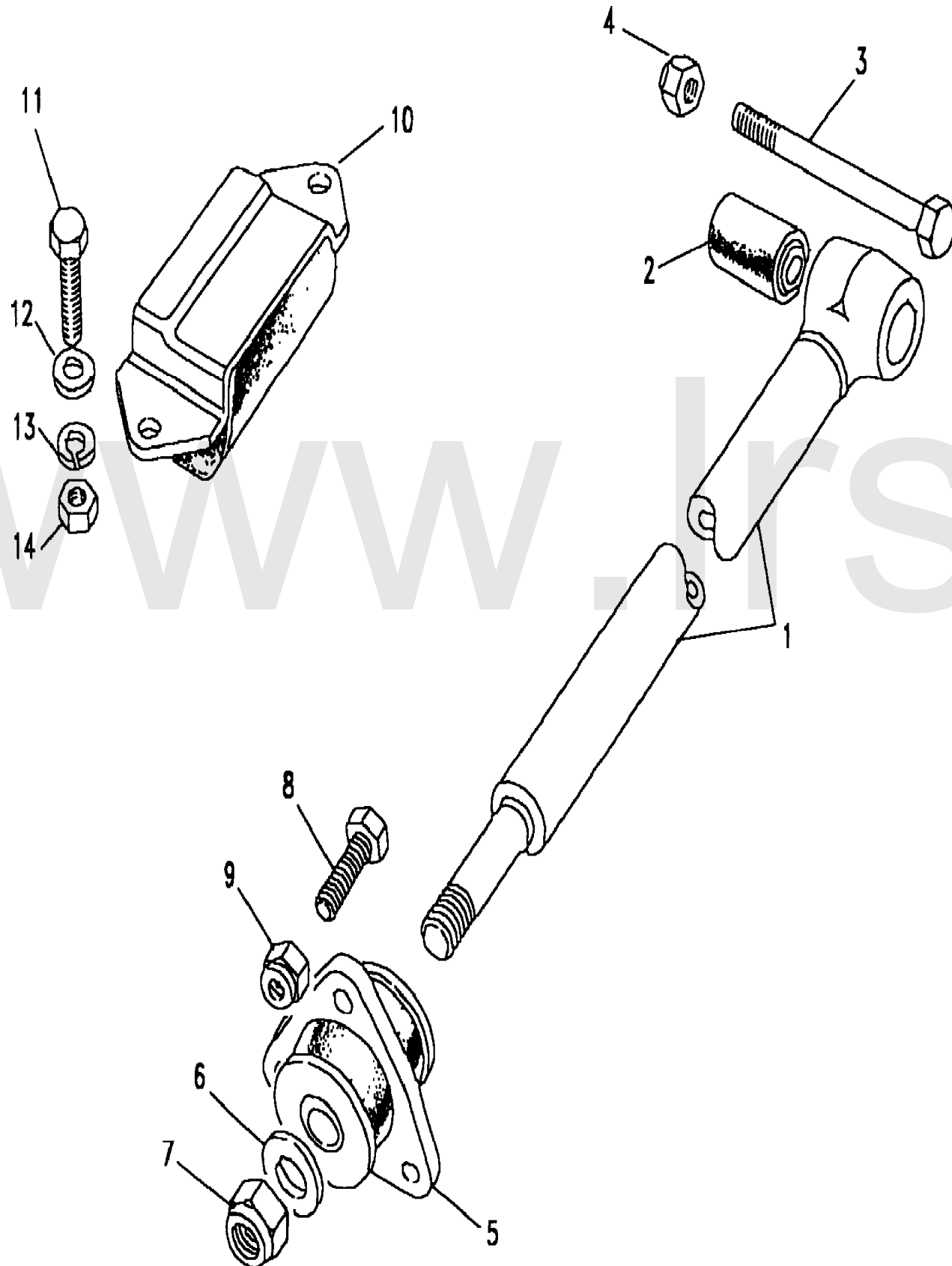
Callout	Name	Application	Remarks & Restrictions	Service No.	Qty
1	Bar assembly-anti-roll rear suspension	Change point - VIN end MA139686 Change point - VIN begin MA139687		NRC6221 ANR4344	1 1
2	Bush-anti-roll bar		Rear	NTC7394	2
3	Bracket-clamp roll bar mounting			NTC6776	2
4	Screw		hexagonal head, M10 x 35	SH110351L	4
5	Washer		M10	WA110061L	4
6	Nut - Hex.		M10, hexagonal head, nyloc	NY110041L	4
7	Joint-ball-lower arm front/rear suspension			NTC1888	2
8	Bush-lower arm front/rear suspension			552819	2
9	Pin			NTC8202	2
10	Washer			264024	2
11	Washer			WC116101	2
12	Nut - Hex.		M16	NV116041L	2
13	Washer-Plain		M12 x 28	WC112081L	2
14	Nut-castle		M12	NC112041	2
15	Pin-split		3.2 x 32	PS106321L	1

Axles & Suspension  
Rear Suspension  
Bottom Link 1/1

Discovery (FA393361-WA799999)  
(CAEXKA1A)

Discovery (FA393361-WA799999)

Axles & Suspension  
Rear Suspension  
Bottom Link



Callout	Name	Application	Remarks & Restrictions	Service No.	Qty
1	Link assembly-lower-rear suspension			NTC4720	2
				NTC8328	2
2	Bush-rear-lower arm rear suspension			NTC1772	2
3	Bolt-hexagonal socket			BH610321L	2
4	Nut-hexagonal-nyloc			NY610041L	2
5	Mounting-lower link flexible rubber	Change point - VIN end JA021208 Change point - VIN end JA021208 Change point - VIN begin JA021209		NRC7491	2
				STC618	2
				NTC9027	2
6	Washer			WA120001	2
7	Nut-hexagonal-nyloc		M20	NY120041L	2
8	Screw		hexagonal head, M10 x 30	SH110301L	6
9	Nut - Hex.		M10, hexagonal head, nyloc	NY110041L	6
10	Stop-rebound rear suspension	Change point - VIN end LA081991 Change point - VIN end LA081991 Change point - VIN begin MA081992	2 Holes	90575789	2
				ANR4189	2
				ANR2991	2
11	Screw		hexagonal head, M8 x 20 Flanged Head, M8 x 20	SH108201L FS108201L	1 1
12	Washer		8MM	WA108051L	4
14	Nut - Hex.		M8, nyloc	NY108041L	4

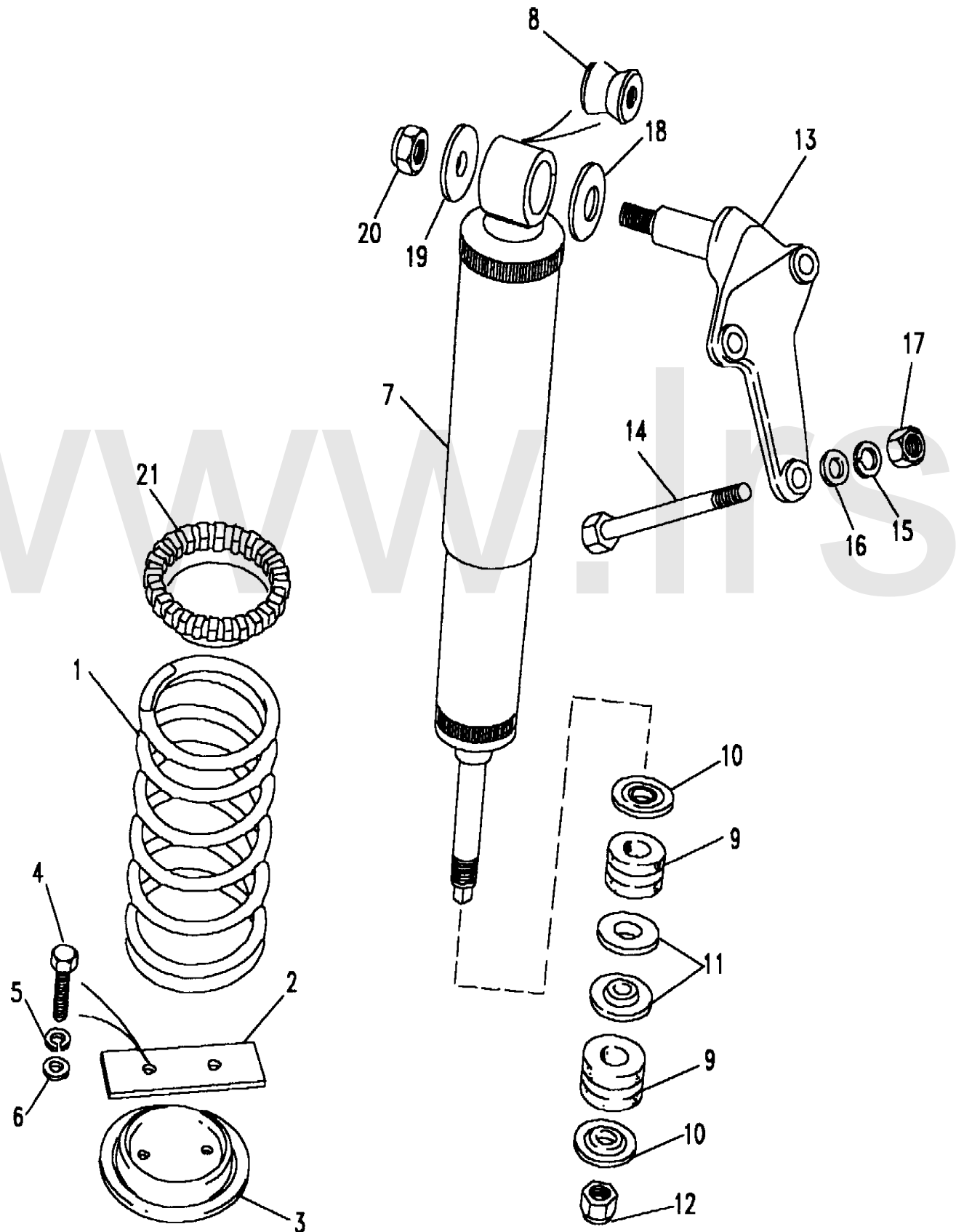
Axles & Suspension  
Rear Suspension  
Shock Absorbers & Springs 1/3

Discovery (FA393361-WA799999)  
(CAEXKC1A)

Discovery (FA393361-WA799999)

Axles & Suspension  
Rear Suspension  
Shock Absorbers & Springs

Callout	Name	Application	Remarks & Restrictions	Service No.	Qty
1	Spring-road rear coil	Change point - VIN end JA015478, RHD Change point - VIN begin JA015479, Change point - VIN end KA038877, RHD Change point - VIN begin KA038878, Change point - VIN end LA066328, RHD Change point - VIN begin LA066329, Change point - VIN end LA081991, RHD Change point - VIN begin MA081992, Change point - VIN end MA119533, RHD Change point - VIN begin MA119534, RHD Change point - VIN end JA015478, LHD Change point - VIN end JA015478, LHD Change point - VIN begin JA015479, Change point - VIN end KA038877, LHD Change point - VIN begin JA015479, Change point - VIN end KA038877, LHD Change point - VIN begin KA038878, Change point - VIN end LA066328, LHD Change point - VIN begin LA066329, Change point - VIN end LA081991, LHD Change point - VIN begin MA081992, Change point - VIN end MA119533, LHD Change point - VIN begin MA119534, LHD	Also serviced as part of a kit Also serviced as part of a kit	NTC5527 NTC8572 ANR1977 ANR3058 ANR3477 ANR4352 NTC5527 NTC7381 NTC8572 NTC8573 ANR1977 ANR3058 ANR3477 ANR4352	2 2 2 2 2 1 1 1 1 2 2 2 2 2
2	Retainer			NTC6106	2
3	Seat-suspension spring lower			NRC9700	2
4	Screw		Flanged Head, M10 x 30, top	FS110301L	4
5	Washer-Spring		5/16"	WM110001L	4
6	Washer		M10	WA110061L	4
7	Damper assembly rear	Change point - VIN end HA472849, Less Roll Bar Change point - VIN end LA081991 Change point - VIN begin HA472850, Change point - VIN end LA081991 Change point - VIN begin MA081992, Change point - VIN end MA1359578	Also serviced as part of a kit Also serviced as part of a kit Also serviced as part of a kit	RTC6359 STC287 STC287 STC1636	2 2 2 2



Axles & Suspension  
Rear Suspension  
Shock Absorbers & Springs 2/3

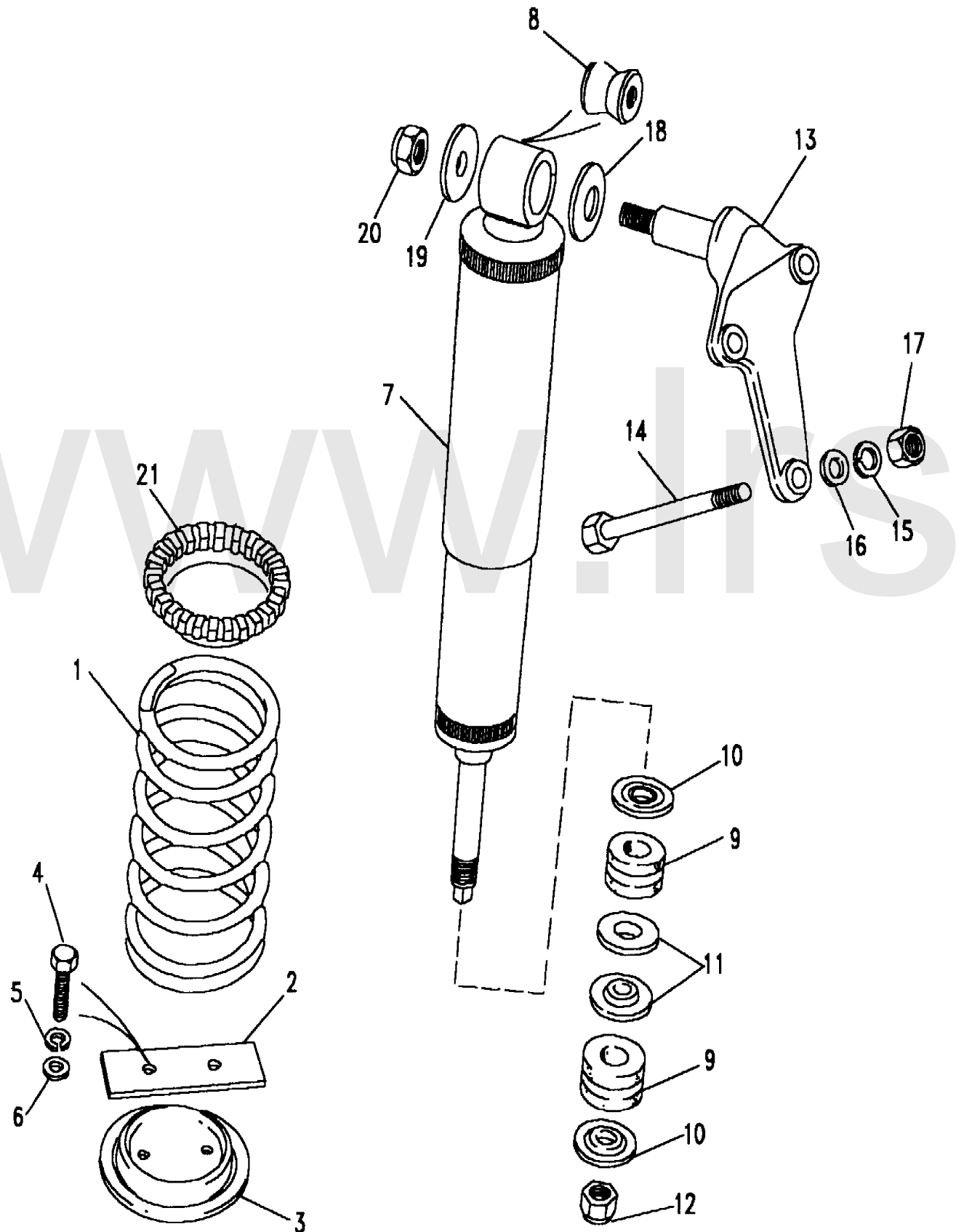
Discovery (FA393361-WA799999)

(CAEXKC1A)

Discovery (FA393361-WA799999)

Axles & Suspension  
Rear Suspension  
Shock Absorbers & Springs

Callout	Name	Application	Remarks & Restrictions	Service No.	Qty
7	Damper assembly rear	Change point - VIN begin MA135958, Change point - VIN end TA199999	Also serviced as part of a kit	STC2850	2
		Change point - VIN begin TA500000, Change point - VIN end VA537533	Also serviced as part of a kit	STC2850	2
		Change point - VIN begin TA700000, Change point - VIN end VA706653	Also serviced as part of a kit	STC2850	2
		Change point - VIN begin VA706654	Also serviced as part of a kit	STC3704	2
		Change point - VIN begin VA537534, Change point - VIN end VA558898	Also serviced as part of a kit	STC3704	2
8	Bush-damper mounting	Change point - VIN end HA472849, Less Roll Bar	Also serviced as part of a kit, Rear, Upper	NRC5593	2
		Change point - VIN end LA081991	Also serviced as part of a kit, Rear, Upper	NRC5593	2
		Change point - VIN begin HA472850, Change point - VIN end LA081991	Also serviced as part of a kit, Rear, Upper	NRC5593	2
9	Bush-damper mounting	Change point - VIN end HA472849, Less Roll Bar	Also serviced as part of a kit, Lower	552818	4
		Change point - VIN begin HA472850, Change point - VIN end LA081991	Also serviced as part of a kit, Lower	552818	4
		Change point - VIN begin MA081992, Change point - VIN end MA1359578	Also serviced as part of a kit	ANR1721	2
10	Washer	Change point - VIN end HA472849, Less Roll Bar	Also serviced as part of a kit	500746	4
		Change point - VIN end LA081991	Also serviced as part of a kit	NRC6235	4
		Change point - VIN begin HA472850, Change point - VIN end LA081991	Also serviced as part of a kit	NRC6235	4
11	Washer	Change point - VIN end HA472849, Less Roll Bar	Also serviced as part of a kit	NRC6235	4
		Change point - VIN end LA081991	Also serviced as part of a kit	500746	4
		Change point - VIN begin HA472850, Change point - VIN end LA081991	Also serviced as part of a kit	500746	4
		Change point - VIN begin MA081992, Change point - VIN end MA1359578	Also serviced as part of a kit	ANR1895	2
12	Nut - Hex.	Change point - VIN end HA472849, Less Roll Bar	Also serviced as part of a kit, M12, Hexagonal	NTC4571	2
		Change point - VIN end LA081991	Also serviced as part of a kit, M12, Hexagonal	NTC4571	2
		Change point - VIN begin HA472850, Change point - VIN end LA081991	Also serviced as part of a kit, M12, Hexagonal	NTC4571	2
		Change point - VIN begin MA081992, Change point - VIN end MA1359578	Also serviced as part of a kit, M12, Hexagonal	NTC4571	1



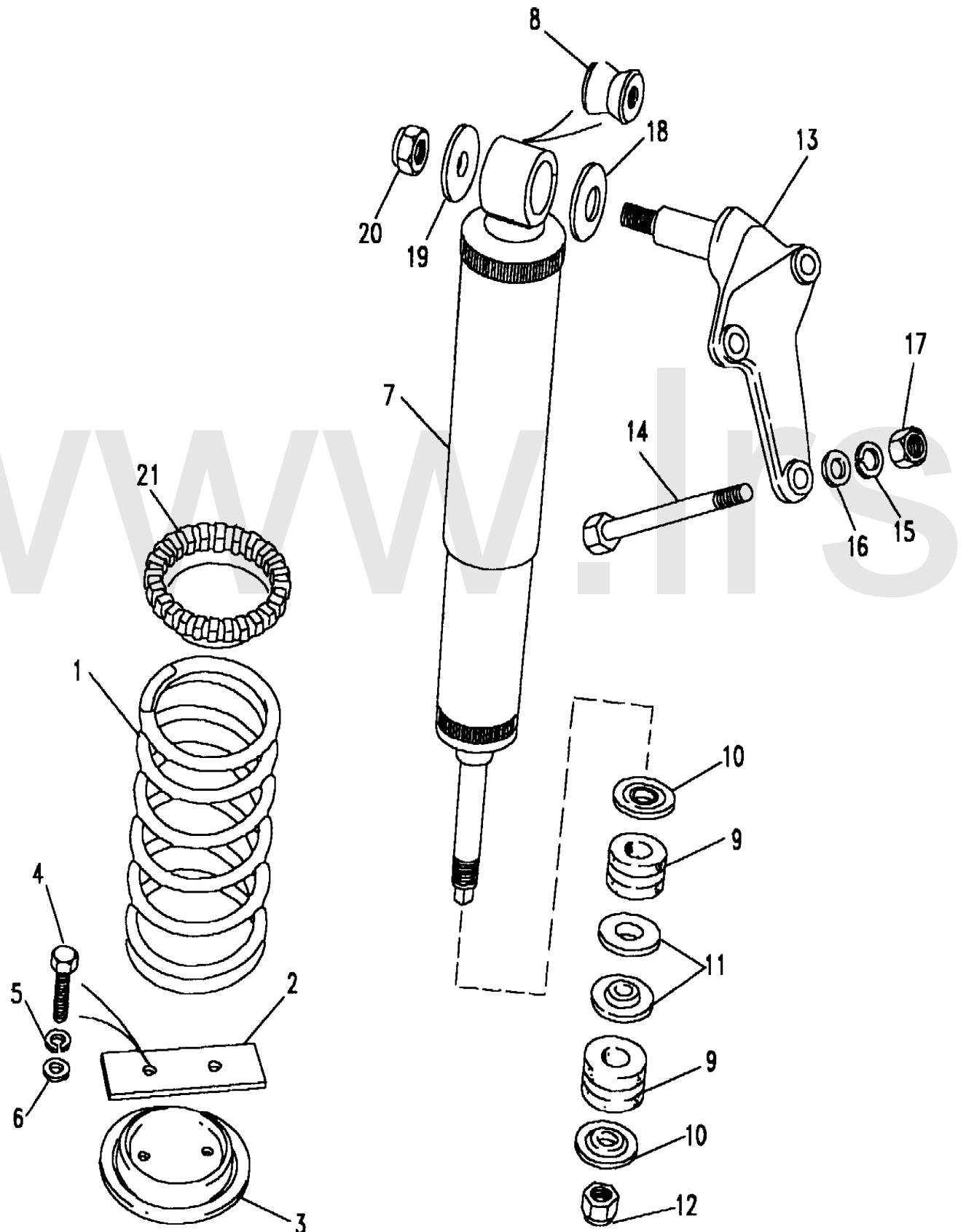
Axles & Suspension  
Rear Suspension  
Shock Absorbers & Springs 3/3

Discovery (FA393361-WA799999)  
(CAEXKC1A)

Discovery (FA393361-WA799999)

Axles & Suspension  
Rear Suspension  
Shock Absorbers & Springs

Callout	Name	Application	Remarks & Restrictions	Service No.	Qty
13	Bracket assembly-rear damper		Upper	NRC7981	2
14	Bolt		hexagonal head, M10 x 110	BH110221L	6
15	Washer-Spring		5/16"	WM110001L	6
16	Washer		M10, oversize, Plain	WC110061L	6
17	Locknut			NH110061	6
18	Retainer		Inner	NRC5602	2
19	Retainer		Outer	NRC5603	2
20	Nut - Hex.		rear damper upper, M12, hexagonal head, nyloc	NY112041L	2
21	Isolator upper	Change point - VIN begin LA066329, Change point - VIN end LA081991, RHD Change point - VIN begin LA066329, Change point - VIN end LA081991, LHD Change point - VIN begin MA081992, Change point - VIN end MA119533, LHD Change point - VIN begin MA081992	Also serviced as part of a kit	ANR3060	2
[902]	Kit-heavy duty road spring		Vehicles Fitted With Heavy Duty Rear Springs Must Have A Front Anti-Roll Bar Fitted And Have The Rear Anti-Rol, Rear	STC8937	1

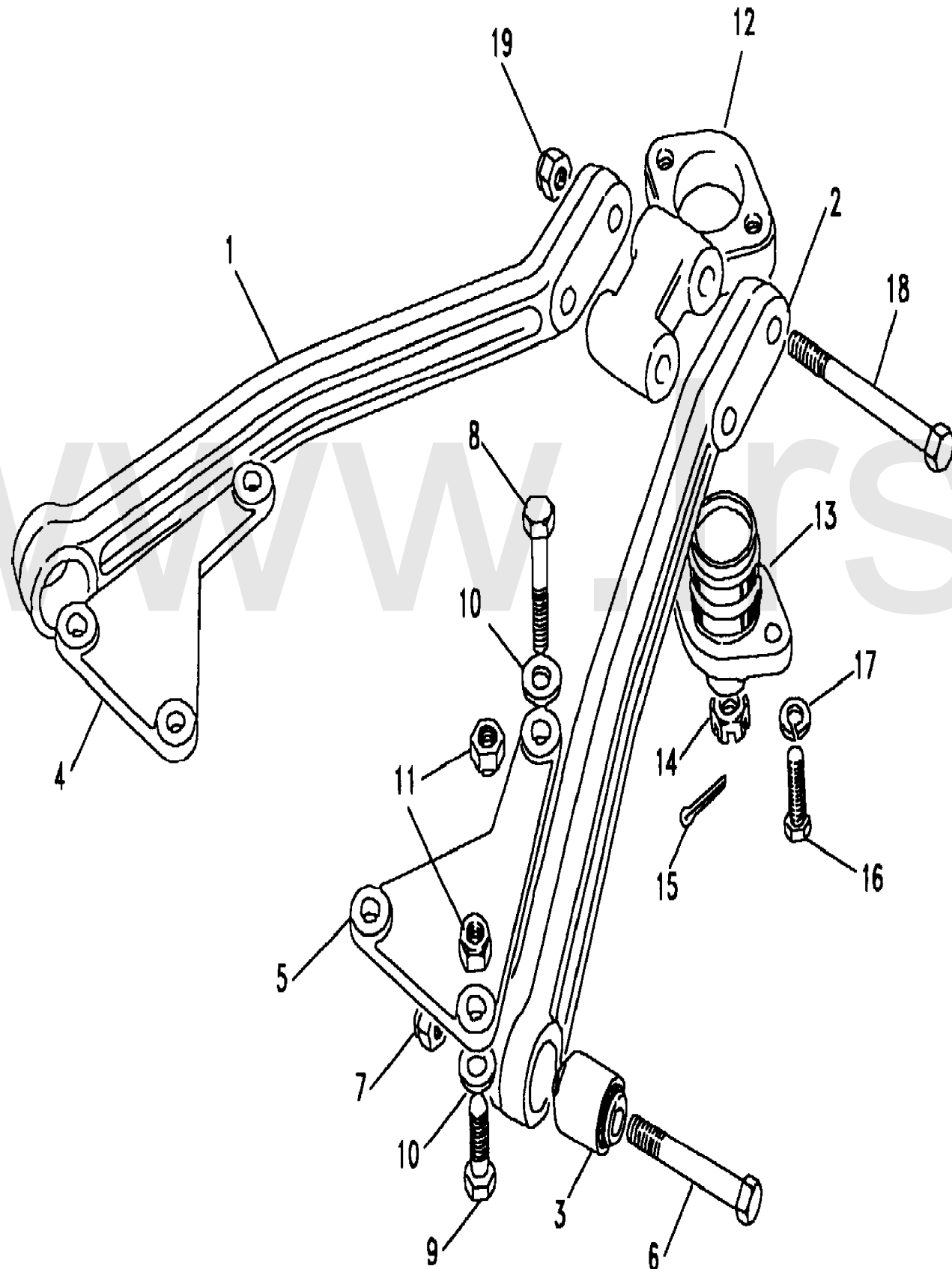


Axles & Suspension  
Rear Suspension  
Top Link, Fulcrum & Ball Joint 1/1

Discovery (FA393361-WA799999)  
(CAEXKA2A)

Discovery (FA393361-WA799999)

Axles & Suspension  
Rear Suspension  
Top Link, Fulcrum & Ball Joint



Callout	Name	Application	Remarks & Restrictions	Service No.	Qty
1	Link assembly-rear suspension upper		Also serviced as part of a kit, RH	NTC2706	1
2	Link assembly-rear suspension upper		Also serviced as part of a kit, LH	NTC2707	1
3	Bush-rear suspension upper link		Also serviced as part of a kit	NTC1773	2
4	Bracket		RH	575615	1
5	Bracket		LH	575616	1
6	Bolt			BH612321	2
7	Locknut			NY612041	2
8	Bolt		hexagonal head, M10 x 55	BX110111L	2
9	Bolt			BX110091L	4
10	Washer		M10, oversize, Plain	WC110061L	6
11	Nut - Hex.		hexagonal head, nyloc	NY110051L	6
12	Bracket-rear axle fulcrum	Change point - VIN end KA053936 Change point - VIN begin KA053937		NRC3923 ANR3037	1 1
13	Joint-rear suspension upper link ball	Change point - VIN end KA053936 Change point - VIN begin KA053937	Also serviced as part of a kit	NTC9932 ANR1799	1 1
14	Nut - Hex.		20MM	NTC4618	1
15	Pin-split	Change point - VIN begin JA026392 Change point - VIN end JA026391		PS608101L PS106321L	1 1
16	Screw	Change point - VIN end KA053936 Change point - VIN begin KA053937	hexagonal head, 5/16UNF x 1 Flanged Head, M8 x 20 Flanged Head, M8 x 20	SH605081L FS108201L FS108207L	2 2 2
17	Washer-Spring		Also serviced as part of a kit, 5/16"	WM600051L	2
18	Bolt		1/2UNF x 6 1/2	253952	2
19	Nut - Hex.		rear suspension upper link to chassis bracket, nyloc, Hexagonal, 1/2UNF	NY608041L	2
[900]	Washer		20MM	WB120001	1