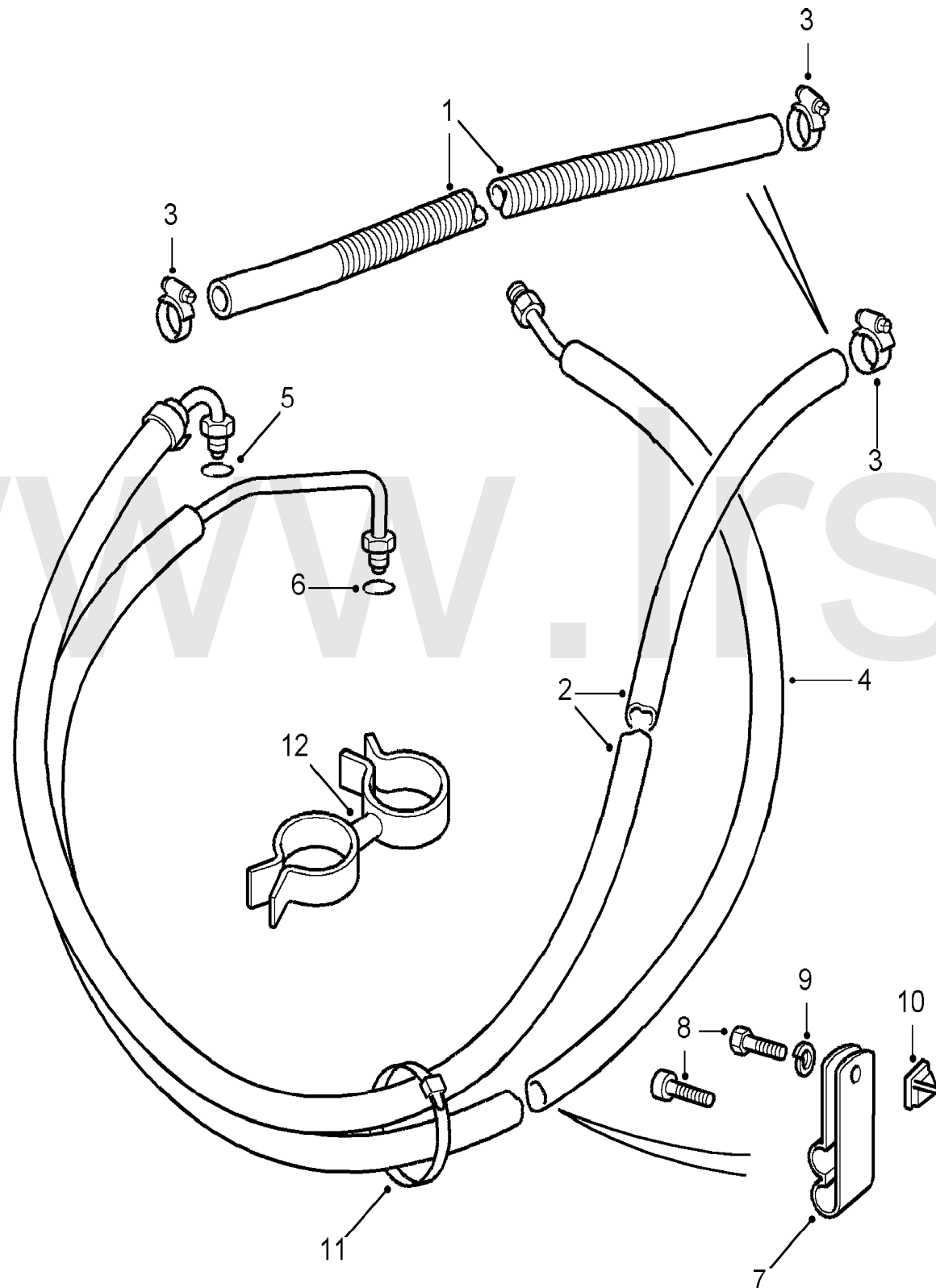


Steering  
Steering Column Lower  
Power Steering Hoses 1/3

Discovery (FA393361-WA799999)

(CAFXRA1A)



CAFXRA1A

Discovery (FA393361-WA799999)

Steering  
Steering Column Lower  
Power Steering Hoses

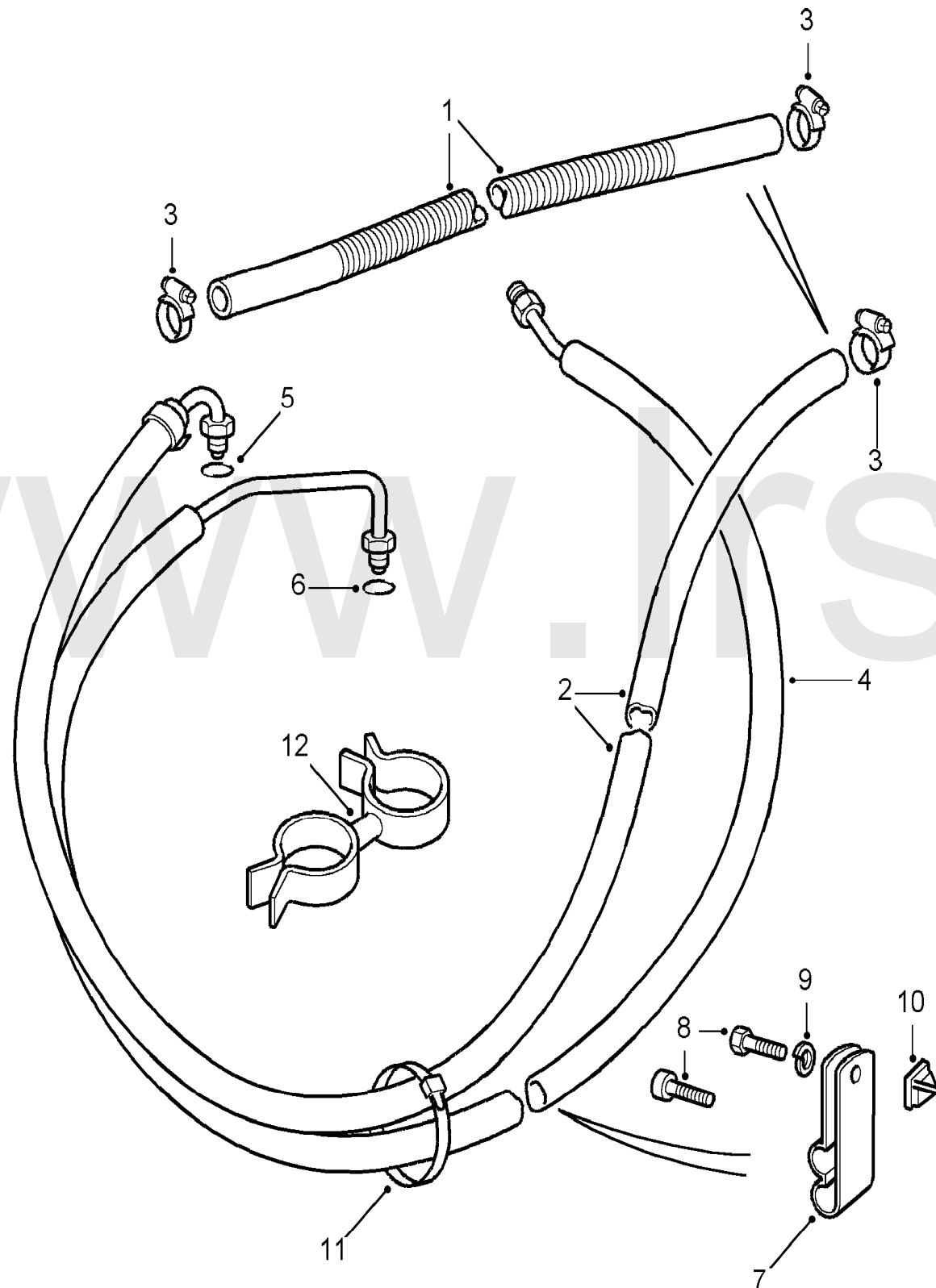
Petrol V8 L/R EFI, V8 Twin Carb L/R Petrol, 4 Cyl MPi Petrol, With Power Steering

Callout	Name	Application	Remarks & Restrictions	Service No.	Qty
1	Hose-power assisted steering reservoir to pump	Change point - VIN end LA081991, V8	Low Pressure	NTC4245	1
		Change point - VIN begin MA081992, V8 MPi	high pressure.	ANR3133 NTC9681	1 1
2	Pipe assembly-steering box to reservoir	Change point - VIN begin GA394352, Change point - VIN end GA456980, V8, RHD		NTC2600	1
		Change point - VIN begin HA000001, Change point - VIN end HA009620, V8, RHD		NTC2600	1
		Change point - VIN begin HA456981, Change point - VIN end HA486551, V8, RHD		NTC2600	1
		Change point - VIN begin HA009621, Change point - VIN end HA012332, V8, RHD		NTC8868	1
		Change point - VIN begin JA012333, Change point - VIN end JA022771, V8, RHD		NTC8868	1
		Change point - VIN begin JA022772, Change point - VIN end KA038254, V8, RHD		NTC8882	1
		Change point - VIN begin KA038255, Change point - VIN end LA081991, V8, RHD		ANR1887	1
		Change point - VIN begin MA081992, Change point - VIN end TA170725, V8, RHD		ANR2916	1
		Change point - VIN begin TA500000, Change point - VIN end TA503890, V8, RHD		ANR2916	1
		Change point - VIN begin TA700000, V8, RHD		ANR3132	1
		Change point - VIN begin TA170726, Change point - VIN end TA199999, V8, RHD		ANR3132	1
		Change point - VIN begin TA503891, Change point - VIN end VA558898, V8, RHD		ANR3132	1
		V8, RHD		QEH102440	1
		V8, RHD		QEH102380	1
		Change point - VIN begin GA394352, Change point - VIN end GA456980, V8, LHD		NTC8862	1

Steering  
Steering Column Lower  
Power Steering Hoses 2/3

Discovery (FA393361-WA799999)

(CAFXRA1A)



CAFXRA1A

Discovery (FA393361-WA799999)

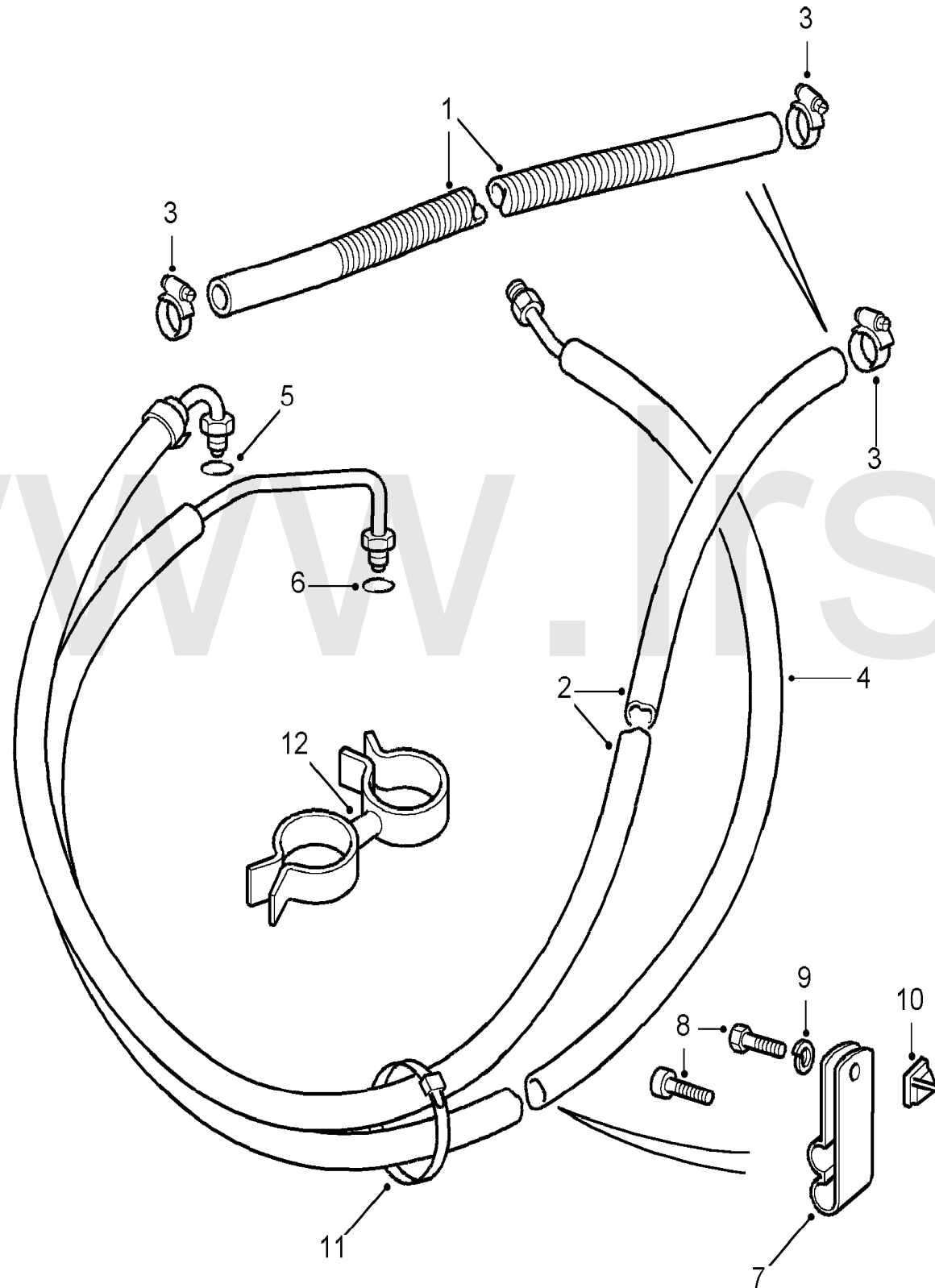
Steering  
Steering Column Lower  
Power Steering Hoses

Petrol V8 L/R EFI, V8 Twin Carb L/R Petrol, 4 Cyl MPi Petrol, With Power Steering

Callout	Name	Application	Remarks & Restrictions	Service No.	Qty		
2	Pipe assembly-steering box to reservoir	Change point - VIN begin HA000001, Change point - VIN end HA012332, V8, LHD		NTC9429	1		
		Change point - VIN begin HA456981, Change point - VIN end HA486551, V8, LHD		NTC9429	1		
		Change point - VIN begin JA012333, Change point - VIN end LA081991, V8, LHD		NTC9429	1		
		Change point - VIN begin MA081992, V8, LHD		ANR2116	1		
		V8, LHD		QEH102370	1		
		Change point - VIN end LA081991, 4 Cyl MPi, RHD		NTC8881	1		
		Change point - VIN begin MA081992, 4 Cyl MPi, RHD		ANR3132	1		
		4 Cyl MPi, RHD		QEH102440	1		
		4 Cyl MPi, RHD		QEH102380	1		
		4 Cyl MPi, LHD		ANR2116	1		
		4 Cyl MPi, LHD		QEH102370	1		
		3	Clip-Hose	V8	25MM	CN100258L	3
4 Cyl MPi	25MM			CN100258L	3		
4	Pipe assembly-pump to steering box	Change point - VIN end HA546980, V8, RHD		NTC2597	1		
		Change point - VIN begin HA456981, Change point - VIN end KA034313, V8, RHD		NTC7952	1		
		Change point - VIN begin KA034314, Change point - VIN end LA081991, V8, RHD		NTC9097	1		
		Change point - VIN begin MA081992, V8, RHD		ANR3131	1		
		V8, RHD		QEP105410	1		
		Change point - VIN end LA081991, V8, LHD		NTC6790	1		
		Change point - VIN begin MA081992, V8, LHD		ANR2914	1		
		V8, LHD		ANR6656	1		
		4 Cyl MPi, RHD		ANR3112	1		
		4 Cyl MPi, LHD		ANR3113	1		
		5	O Ring		6MM	RTC4825	1
						RTC4826	1
6	O Ring			RTC4826	1		
7	Clip-p			NTC2722	2		
8	Screw-flanged head		M6 X 16, Flanged Head	FS106167L	2		
9	Washer		M6, sprung	WL106001L	2		

Steering  
Steering Column Lower  
Power Steering Hoses 3/3

Discovery (FA393361-WA799999)  
(CAFXRA1A)



CAFXRA1A

Discovery (FA393361-WA799999)

Steering  
Steering Column Lower  
Power Steering Hoses

Petrol V8 L/R EFI, V8 Twin Carb L/R Petrol, 4 Cyl MPi Petrol, With Power Steering

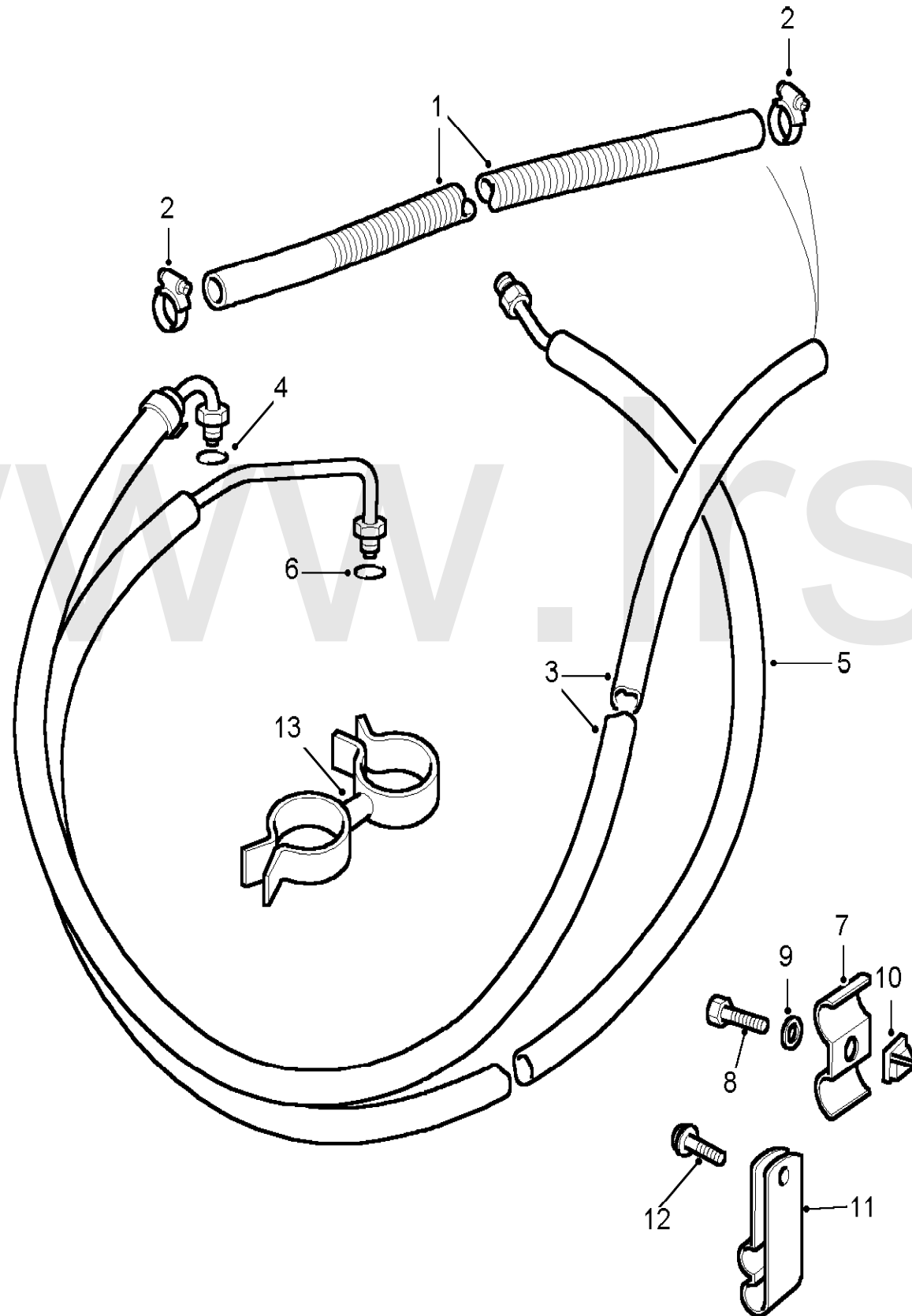
Callout	Name	Application	Remarks & Restrictions	Service No.	Qty
10	Nutsert-blind		M6	NN106021	2
11	Tie-cable		6 1/4"	240431	2
12	Clip-spacer			ANR2985	3

www.rservice.ru

Steering  
Steering Column Lower  
Power Steering Hoses Cont. 1/2

Discovery (FA393361-WA799999)

(CAFXRA2A)



CAFXRA2A

Discovery (FA393361-WA799999)

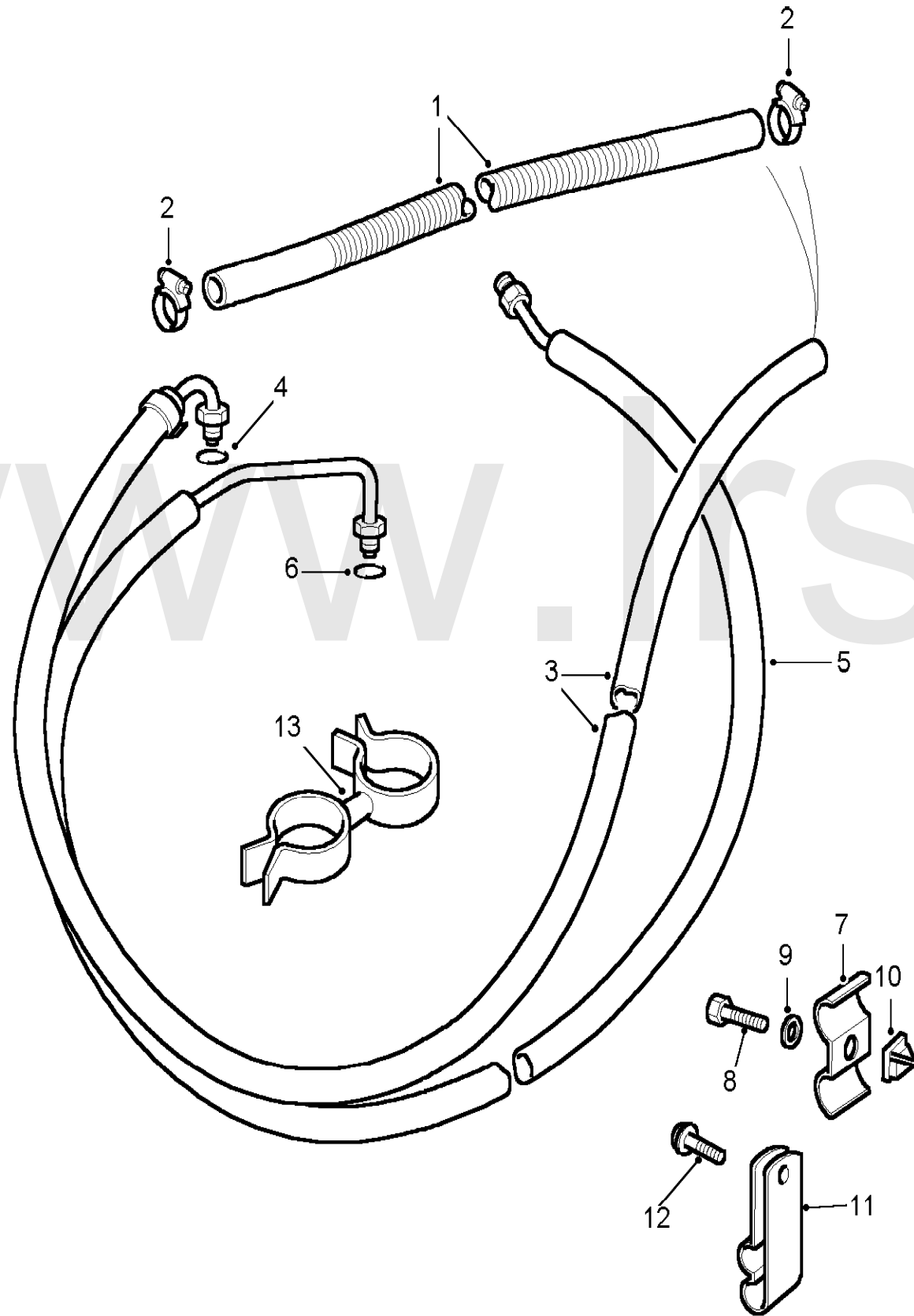
Steering  
Steering Column Lower  
Power Steering Hoses Cont.

TDi Diesel, With Power Steering

Callout	Name	Application	Remarks & Restrictions	Service No.	Qty
1	Hose-power assisted steering reservoir to pump	Change point - VIN end MA086239, With Diesel Engines	high pressure.	NTC6069	1
		Change point - VIN begin MA086240, With Diesel Engines		ANR3133	1
2	Clip-Hose	With Diesel Engines	25MM	CN100258L	2
3	Pipe assembly-steering box to reservoir	Change point - VIN begin GA394352, Change point - VIN end GA456980, With Diesel Engines, RHD		NTC6071	1
		Change point - VIN begin HA000001, Change point - VIN end HA008133, With Diesel Engines, RHD		NTC6071	1
		Change point - VIN begin HA456981, Change point - VIN end HA486551, With Diesel Engines, RHD		NTC6071	1
		Change point - VIN begin HA008134, Change point - VIN end HA012332, With Diesel Engines, RHD		NTC8863	1
		Change point - VIN begin JA012333, Change point - VIN end JA022772, With Diesel Engines, RHD		NTC8863	1
		Change point - VIN begin JA022773, Change point - VIN end LA081991, With Diesel Engines, RHD		NTC8881	1
		Change point - VIN begin MA081992, With Diesel Engines, RHD		ANR3823	1
		With Diesel Engines, RHD		QEH102420	1
		Change point - VIN begin GA394352, Change point - VIN end GA456980, With Diesel Engines, LHD		NTC6072	1
		Change point - VIN begin HA000001, Change point - VIN end HA007519, With Diesel Engines, LHD		NTC6072	1
		Change point - VIN begin HA456981, Change point - VIN end HA486551, With Diesel Engines, LHD		NTC6072	1
		Change point - VIN begin HA007520, Change point - VIN end HA012332, With Diesel Engines, LHD		NTC8864	1
		Change point - VIN begin JA012333, Change point - VIN end LA081991, With Diesel Engines, LHD		NTC8864	1
		Change point - VIN begin MA081992, With Diesel Engines, LHD		ANR3783	1
With Diesel Engines, LHD		QEH102410	1		

Steering  
Steering Column Lower  
Power Steering Hoses Cont. 2/2

Discovery (FA393361-WA799999)  
(CAFXRA2A)



Discovery (FA393361-WA799999)

Steering  
Steering Column Lower  
Power Steering Hoses Cont.

TDi Diesel, With Power Steering

Callout	Name	Application	Remarks & Restrictions	Service No.	Qty
4	O Ring	With Diesel Engines	6MM	RTC4825	1
5	Pipe assembly-pump to steering box	Change point - VIN end MA086239, With Diesel Engines, RHD Change point - VIN begin MA086240, With Diesel Engines, RHD With Diesel Engines, RHD Change point - VIN end LA081991, With Diesel Engines, LHD Change point - VIN begin MA081992, With Diesel Engines, LHD With Diesel Engines, LHD		NTC5494 ANR3131 QEP105410 NTC6070 ANR2914 ANR6656	1 1 1 1 1 1
6	O Ring	With Diesel Engines		RTC4826	1
7	Clip-Pipe	With Diesel Engines	Both Types Used - Check With Vehicle	NRC6302	2
8	Screw-flanged head	With Diesel Engines	Both Types Used - Check With Vehicle, M6 X 16, Flanged Head	FS106167L	2
9	Washer	With Diesel Engines	M6, sprung	WL106001L	2
10	Nutsert-blind	With Diesel Engines	M6	NN106021	2
11	Clip-p	With Diesel Engines	Both Types Used - Check With Vehicle	NTC2722	2
12	Screw	With Diesel Engines	Both Types Used - Check With Vehicle, hexagonal head, M6 x 25	SH106251	2
13	Clip-spacer	With Diesel Engines		ANR2985	1

Steering  
Steering Column Lower  
Power Steering Reservoir 1/1

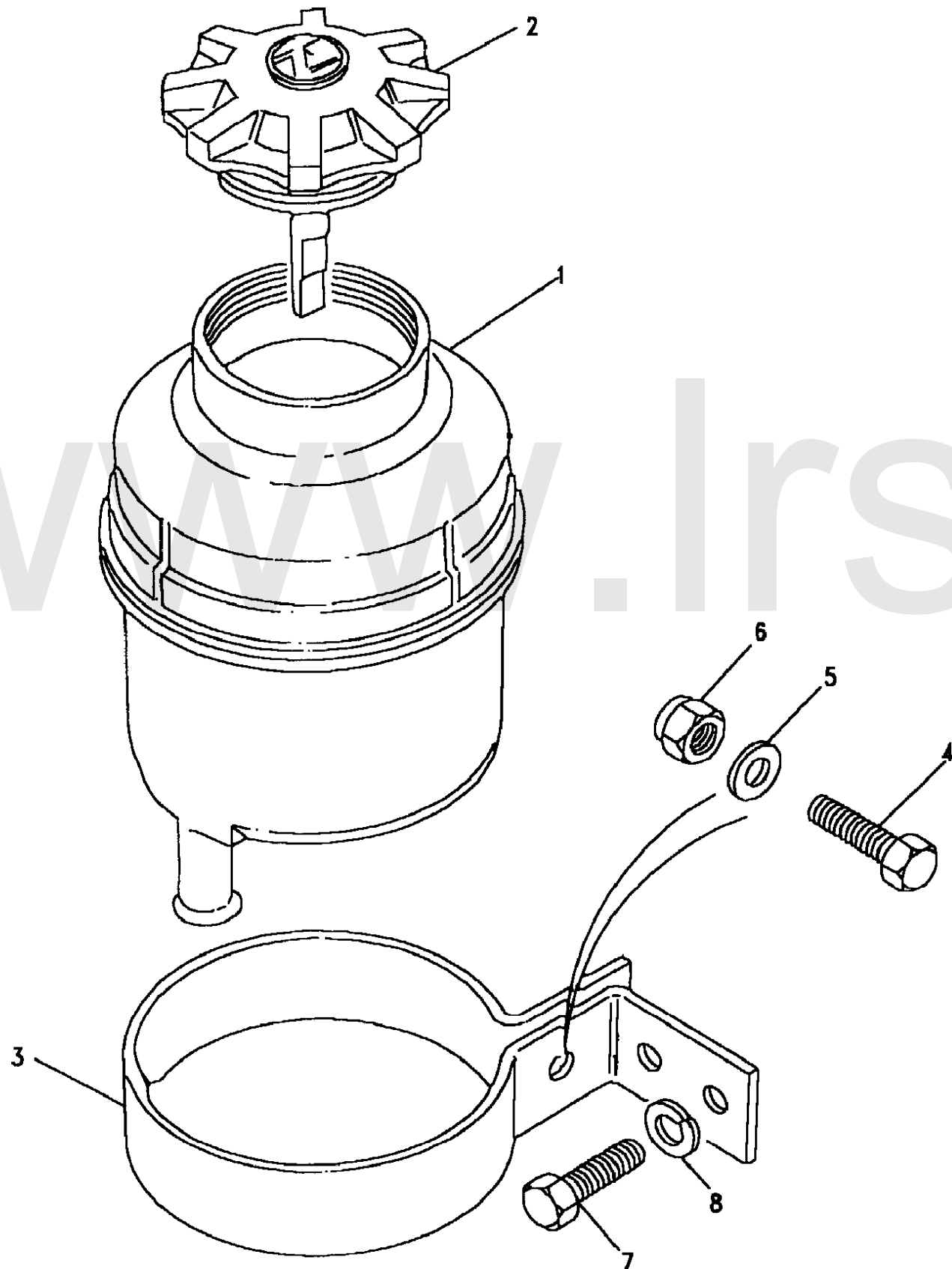
Discovery (FA393361-WA799999)  
(CAFXA1A)

Discovery (FA393361-WA799999)

Steering  
Steering Column Lower  
Power Steering Reservoir

With Diesel Engines, With Power Steering

Callout	Name	Application	Remarks & Restrictions	Service No.	Qty
1	Reservoir assembly power assisted steering fluid	Change point - VIN end KA052813	Also serviced as part of a kit	NTC1791	1
		Change point - VIN begin KA052814, Change point - VIN end TA199999	Also serviced as part of a kit	ANR1998	1
		Change point - VIN begin TA500000, Change point - VIN end VA541191	Also serviced as part of a kit	ANR1998	1
		Change point - VIN begin TA700000, Change point - VIN end VA711215	Also serviced as part of a kit	ANR1998	1
		Change point - VIN begin VA711216	Also serviced as part of a kit	ANR6222	1
		Change point - VIN begin VA541192, Change point - VIN end VA558898	Also serviced as part of a kit	ANR6222	1
		Change point - VIN end KA052813	Also serviced as part of a kit	NTC2723	1
		Change point - VIN end KA052813	Also serviced as part of a kit	NTC6890	1
2	Cap power assisted steering reservoir	Change point - VIN end KA052813	Also serviced as part of a kit	NTC2723	1
3	Bracket assembly power assisted steering pump & alternator			NTC6890	1
4	Screw	M6 X 20, Flanged Head		FS106207L	1
5	Washer	6MM		WA106041L	1
6	Nut - Hex.	M6, hexagonal head, nyloc M6, hexagonal head, nyloc		NY106041L NY106047L	1 1
7	Screw	M8 X 16, hexagonal head M8 X 16, Flanged Head		SH108161L FS108161L	2 2
8	Washer	M8, sprung		WL108001L	2



Steering  
Steering Column Lower  
Power Steering Reservoir 1/1

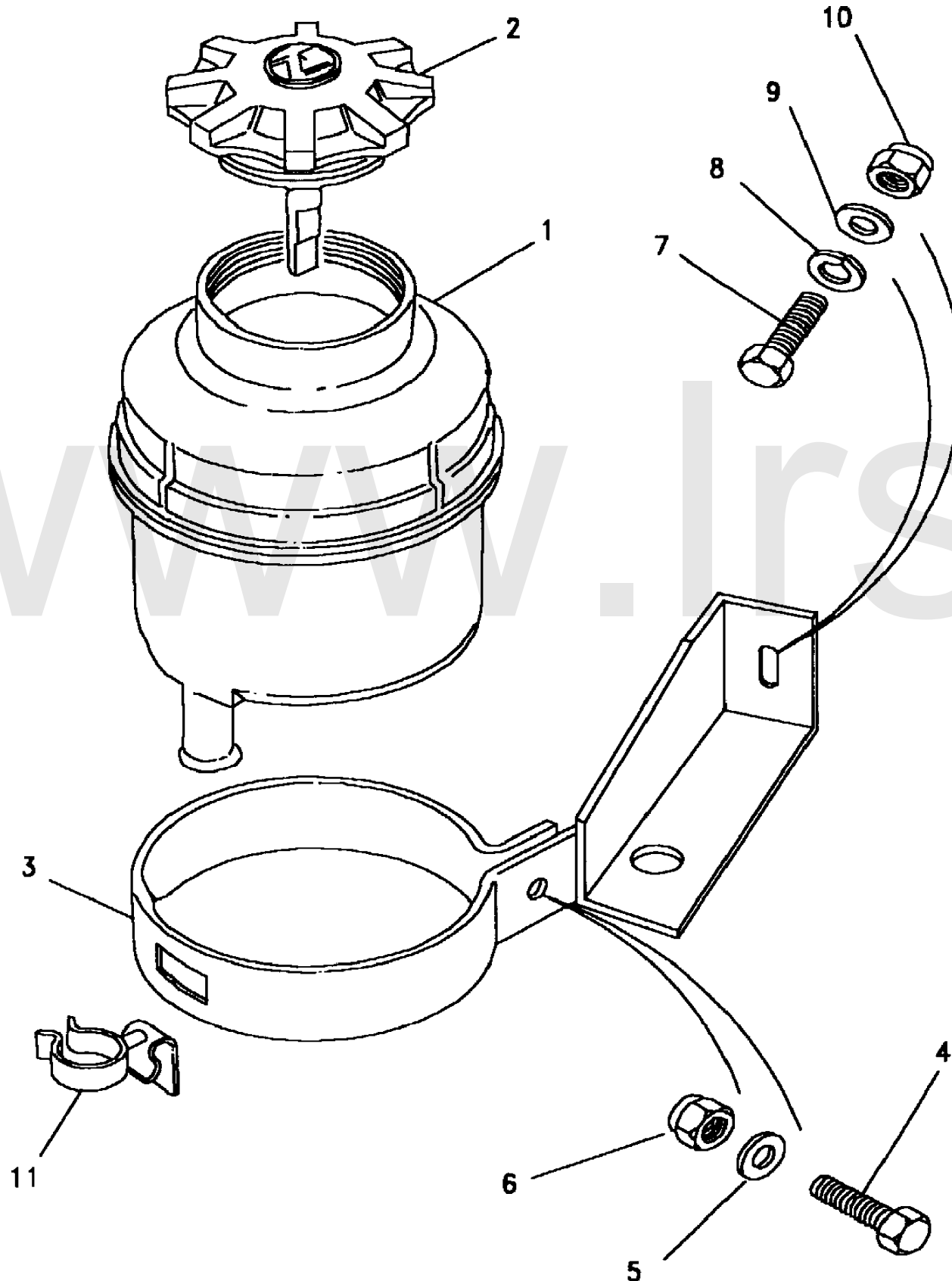
Discovery (FA393361-WA799999)  
(CAFPA2A)

Discovery (FA393361-WA799999)

Steering  
Steering Column Lower  
Power Steering Reservoir

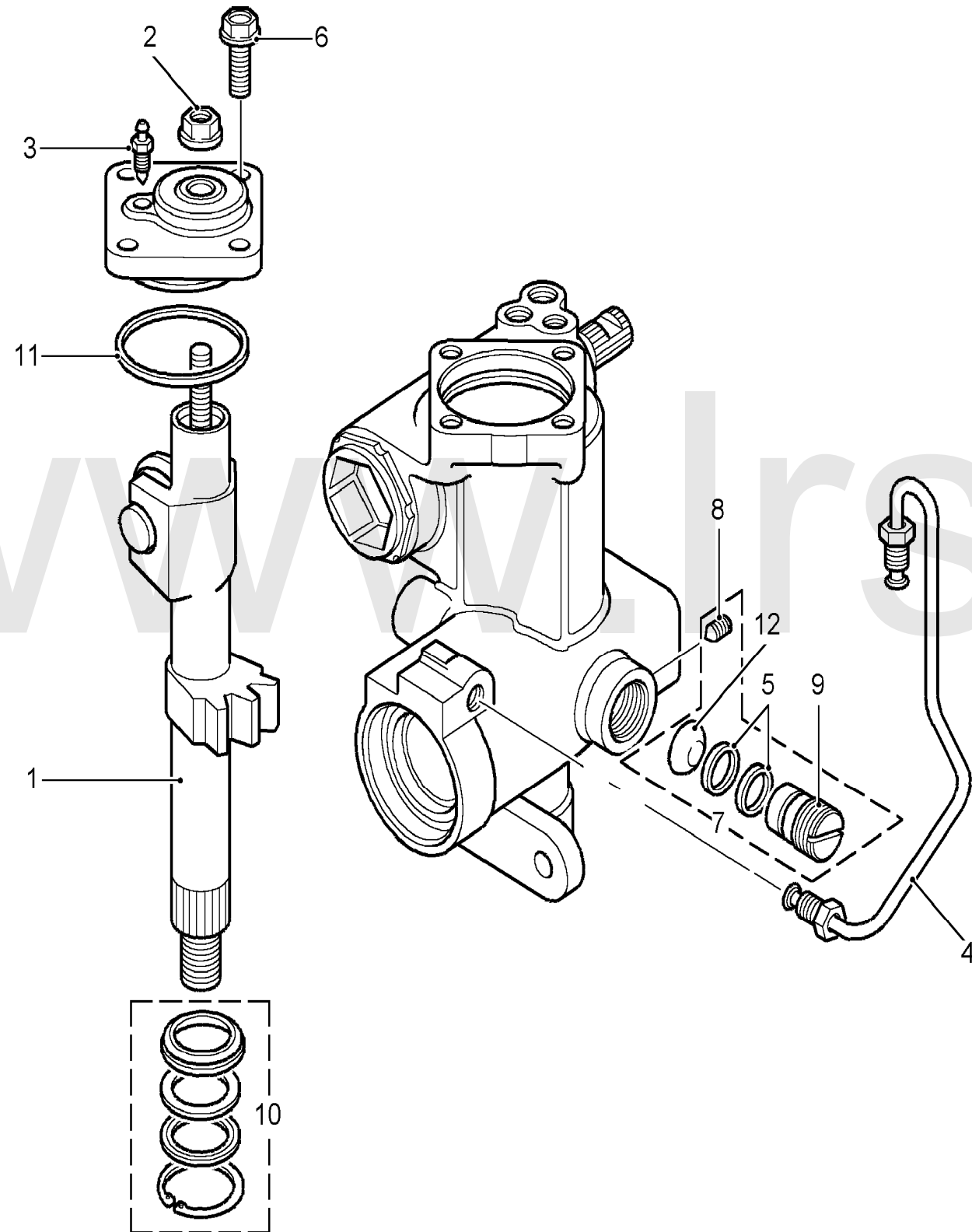
With Petrol Engines, With Power Steering

Callout	Name	Application	Remarks & Restrictions	Service No.	Qty
1	Reservoir assembly power assisted steering fluid	Change point - VIN end KA038821	Also serviced as part of a kit	NTC1791	1
		Change point - VIN begin KA038822, Change point - VIN end TA199999	Also serviced as part of a kit	ANR1998	1
		Change point - VIN begin TA500000, Change point - VIN end VA540882	Also serviced as part of a kit	ANR1998	1
		Change point - VIN begin TA700000, Change point - VIN end VA710578	Also serviced as part of a kit	ANR1998	1
		Change point - VIN begin VA710579	Also serviced as part of a kit	ANR6222	1
		Change point - VIN begin VA540883, Change point - VIN end VA558898	Also serviced as part of a kit	ANR6222	1
		Change point - VIN begin VA710579	Also serviced as part of a kit	ANR6222	1
		Change point - VIN begin VA540883, Change point - VIN end VA558898	Also serviced as part of a kit	ANR6222	1
		Change point - VIN begin VA710579	Also serviced as part of a kit	ANR6222	1
		Change point - VIN begin VA540883, Change point - VIN end VA558898	Also serviced as part of a kit	ANR6222	1
3	Bracket assembly power assisted steering pump & alternator	Change point - VIN end LA081991		ANR1270	1
		Change point - VIN begin MA081992		ANR3700	1
4	Screw		Flanged Head, M6 x 25	FS106255L	1
5	Washer		6MM	WA106041L	2
6	Nut - Hex.		M6, hexagonal head, nyloc	NY106041L	1
7	Screw		M8 X 30, Flanged Head	FS108301L	1
8	Washer		M8, sprung	WL108001L	1
9	Washer-Plain			WC108001L	1
10	Nut - Hex.		M8, flange	FN108041L	1
11	Clip-plastic			PRC5681	1



Steering  
Steering Column Lower  
Sector Shaft 1/1

Discovery (FA393361-WA799999)  
(AHFXGC5A)



AHFXGC5A

Discovery (FA393361-WA799999)

Steering  
Steering Column Lower  
Sector Shaft

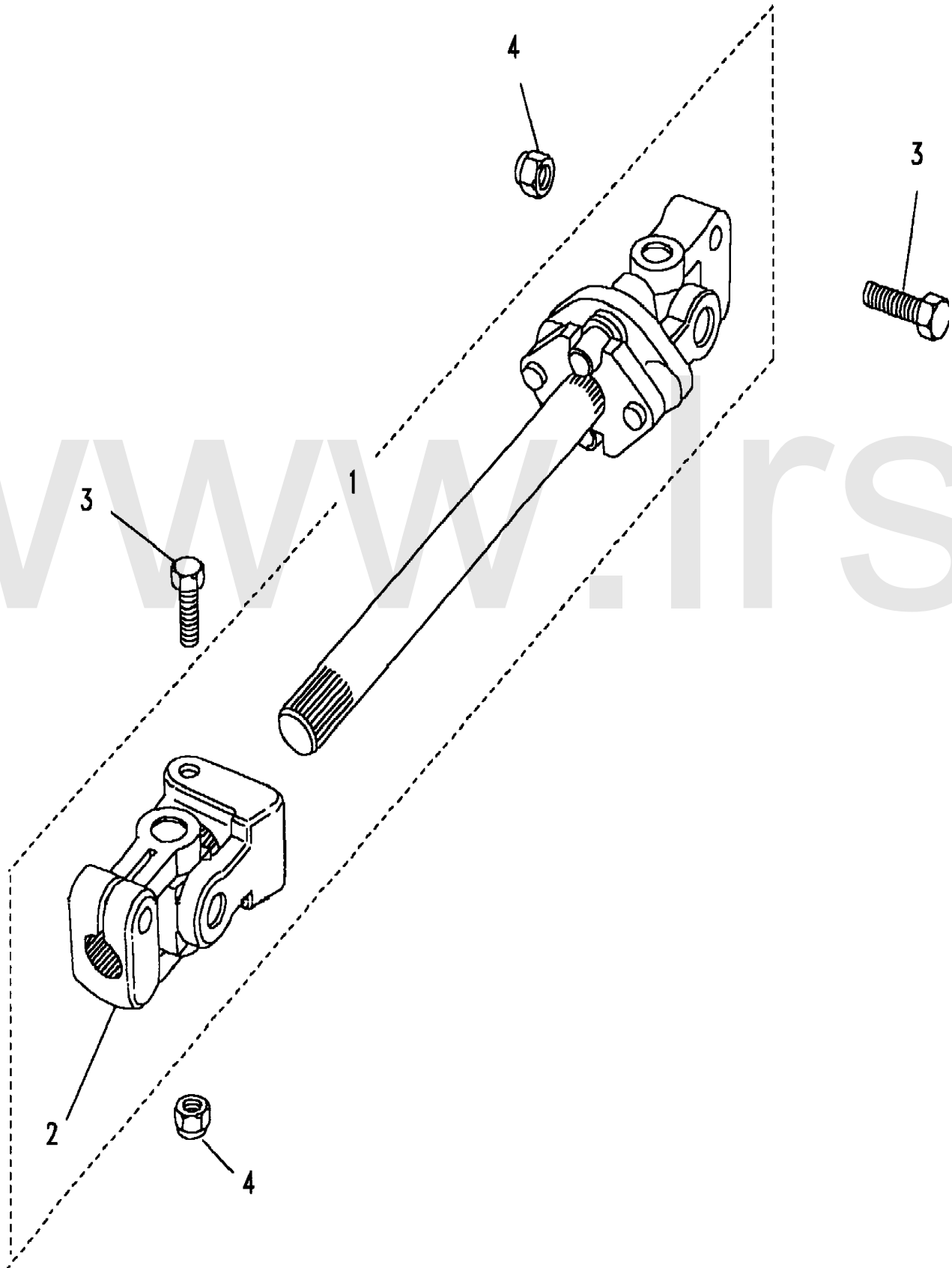
With Power Steering

Callout	Name	Application	Remarks & Restrictions	Service No.	Qty
1	Shaft assembly-steering box sector	RHD	Also serviced as part of a kit	RTC4398	1
		LHD	Also serviced as part of a kit	RTC4399	1
2	Nut - Hex.	RHD	Also serviced as part of a kit	RTC4394	1
3	Screw-bleed			RTC4395	1
4	Pipe assembly power assisted steering	RHD		RTC4400	1
		LHD		RTC4401	1
5	Seal-steering rack pinion			608065	1
6	Screw			RTC4393	4
7	Kit-power assisted steering box seal		Also serviced as part of a kit	STC1040	1
8	Screw-Grub		Also serviced as part of a kit	11011L	1
9	Screw-rack guide power assisted steering		Also serviced as part of a kit	606545	1
10	Kit-steering box sector shaft seal		Also serviced as part of a kit	STC2848	1
11	Seal		Box assembly-steering, Kit	STC2847	1

Steering  
 Steering Column Lower  
 Shaft-From (V) HA002272 To (V) LA081991 1/1  
**Discovery (FA393361-WA799999)**  
 (CAFCAA3A)

**Discovery (FA393361-WA799999)**  
 Steering  
 Steering Column Lower  
 Shaft-From (V) HA002272 To (V) LA081991  
 Change point - VIN begin HA002272, Change point - VIN end LA081991

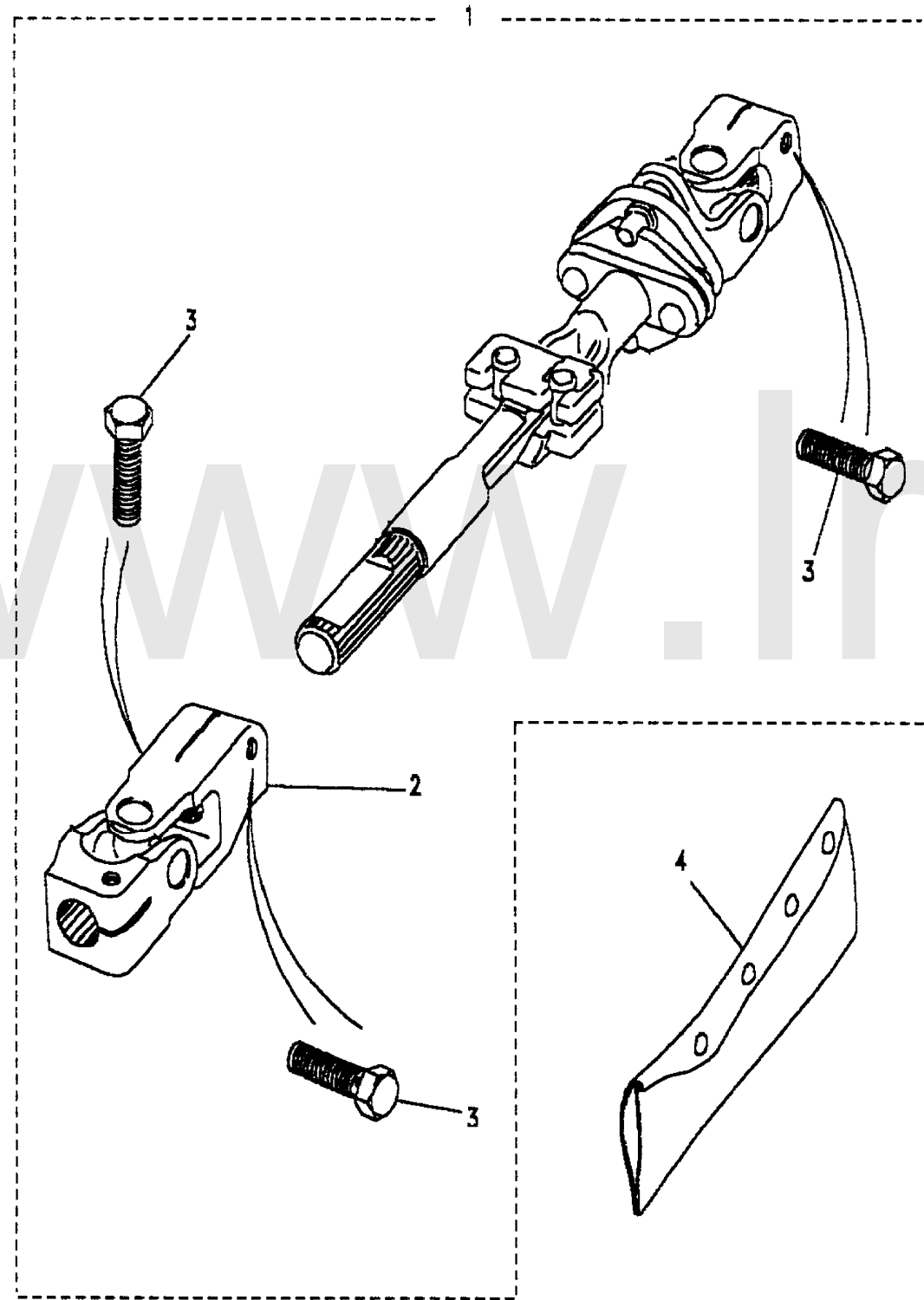
Callout	Name	Application	Remarks & Restrictions	Service No.	Qty
1	Shaft-universal joint steering		Also serviced as part of a kit	NTC8478	1
2	Joint-universal steering linkage		Also serviced as part of a kit, Upper	NRC7387	1
3	Bolt		M8, hexagonal head	BX108081	3
4	Nut - Hex.		M8, nyloc	NY108041L	3



www.irservice.ru

Steering  
Steering Column Lower  
Shaft-From (V) MA081992 1/1

Discovery (FA393361-WA799999)  
(CAFCAA4A)



Discovery (FA393361-WA799999)

Steering  
Steering Column Lower  
Shaft-From (V) MA081992

Change point - VIN begin MA081992

Callout	Name	Application	Remarks & Restrictions	Service No.	Qty
1	Shaft-universal joint steering			ANR3171	1
2	Joint-universal steering linkage		Also serviced as part of a kit	STC2800	1
3	Bolt		Also serviced as part of a kit, M8 X 35	BH108077	3
4	Heatshield steering gear			ANR3518	1

www.trservice.ru

Steering  
Steering Column Lower  
Shaft-To (V) HA002271 1/2

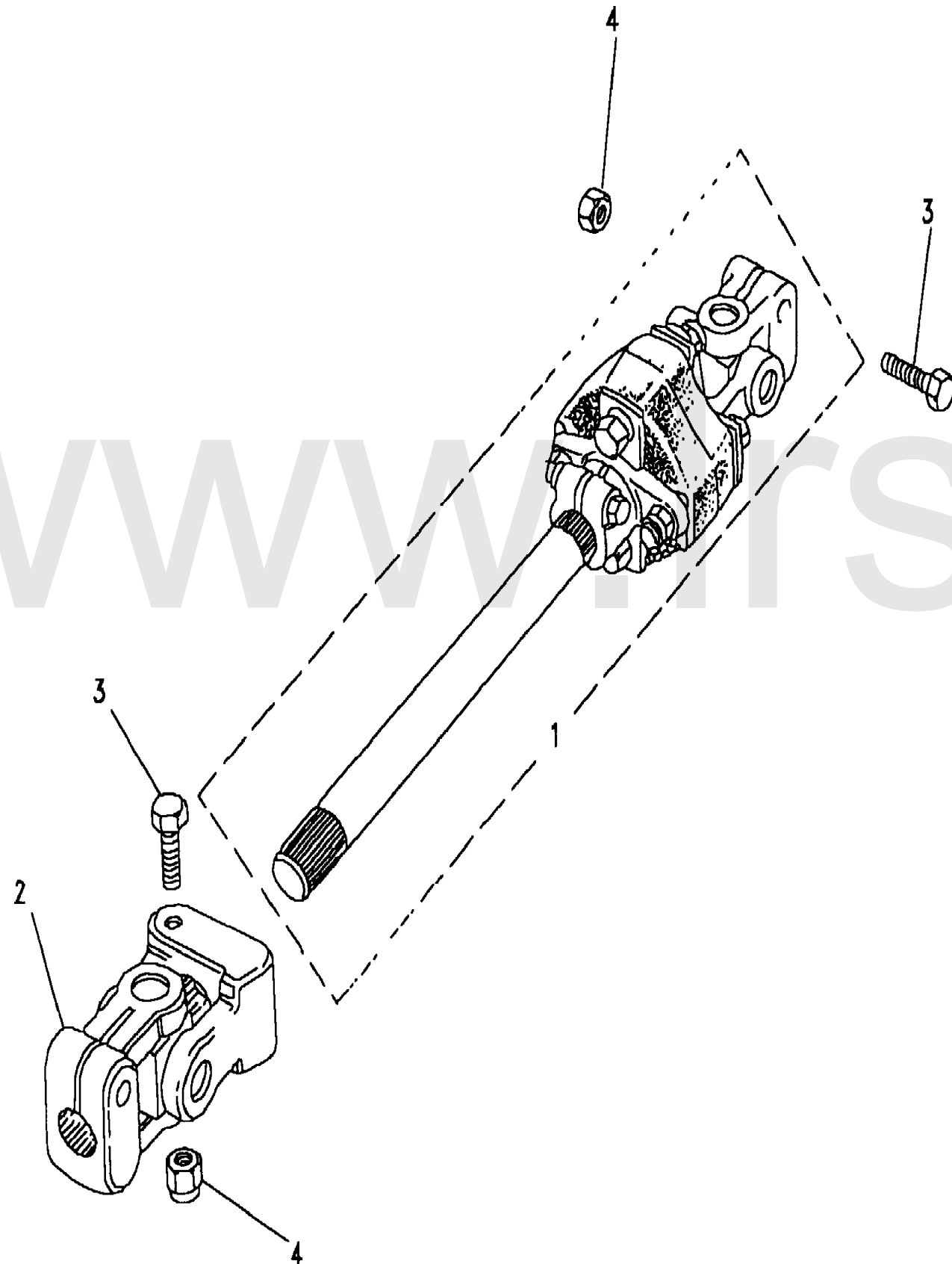
Discovery (FA393361-WA799999)  
(CAFCAA2A)

Discovery (FA393361-WA799999)

Steering  
Steering Column Lower  
Shaft-To (V) HA002271

Change point - VIN end HA002271

Callout	Name	Application	Remarks & Restrictions	Service No.	Qty		
1	Shaft-universal joint steering	Change point - VIN begin GA394352, Change point - VIN end GA456980, RHD	(-) TDI	RTC5876	1		
		Change point - VIN begin HA000001, Change point - VIN end HA002271, RHD	(-) TDI	RTC5876	1		
		Change point - VIN begin HA456981, Change point - VIN end HA486551, RHD	(-) TDI	RTC5876	1		
		Change point - VIN begin GA394352, Change point - VIN end GA456980, TDi, LHD	NO LONGER AVAILABLE	NTC7370	1		
		Change point - VIN begin HA000001, Change point - VIN end HA002271, TDi, LHD	NO LONGER AVAILABLE	NTC7370	1		
		Change point - VIN begin HA456981, Change point - VIN end HA486551, TDi, LHD	NO LONGER AVAILABLE	NTC7370	1		
		Change point - VIN begin GA394352, Change point - VIN end GA456980, RHD		NRC7863	1		
		Change point - VIN begin HA000001, Change point - VIN end HA002271, RHD		NRC7863	1		
		Change point - VIN begin HA456981, Change point - VIN end HA486551, RHD		NRC7863	1		
		Change point - VIN begin GA394352, Change point - VIN end GA456980, LHD		NRC7704	1		
2	Joint-universal steering linkage	Change point - VIN begin HA000001, Change point - VIN end HA002271, LHD		NRC7704	1		
		Change point - VIN begin HA456981, Change point - VIN end HA486551, LHD		NRC7704	1		
		Change point - VIN begin GA394352, Change point - VIN end GA456980	Steering Shaft, M8, hexagonal head	BX108081	3		
		Change point - VIN begin HA000001, Change point - VIN end HA002271	Steering Shaft, M8, hexagonal head	BX108081	3		
		Change point - VIN begin HA456981, Change point - VIN end HA486551	Steering Shaft, M8, hexagonal head	BX108081	3		
		Change point - VIN begin GA394352, Change point - VIN end GA456980	Flanged Head, M8 x 70	FB108141L	2		
		Change point - VIN begin HA000001, Change point - VIN end HA002271	Flanged Head, M8 x 70	FB108141L	2		
		3	Bolt				



Steering  
Steering Column Lower  
Shaft-To (V) HA002271 2/2

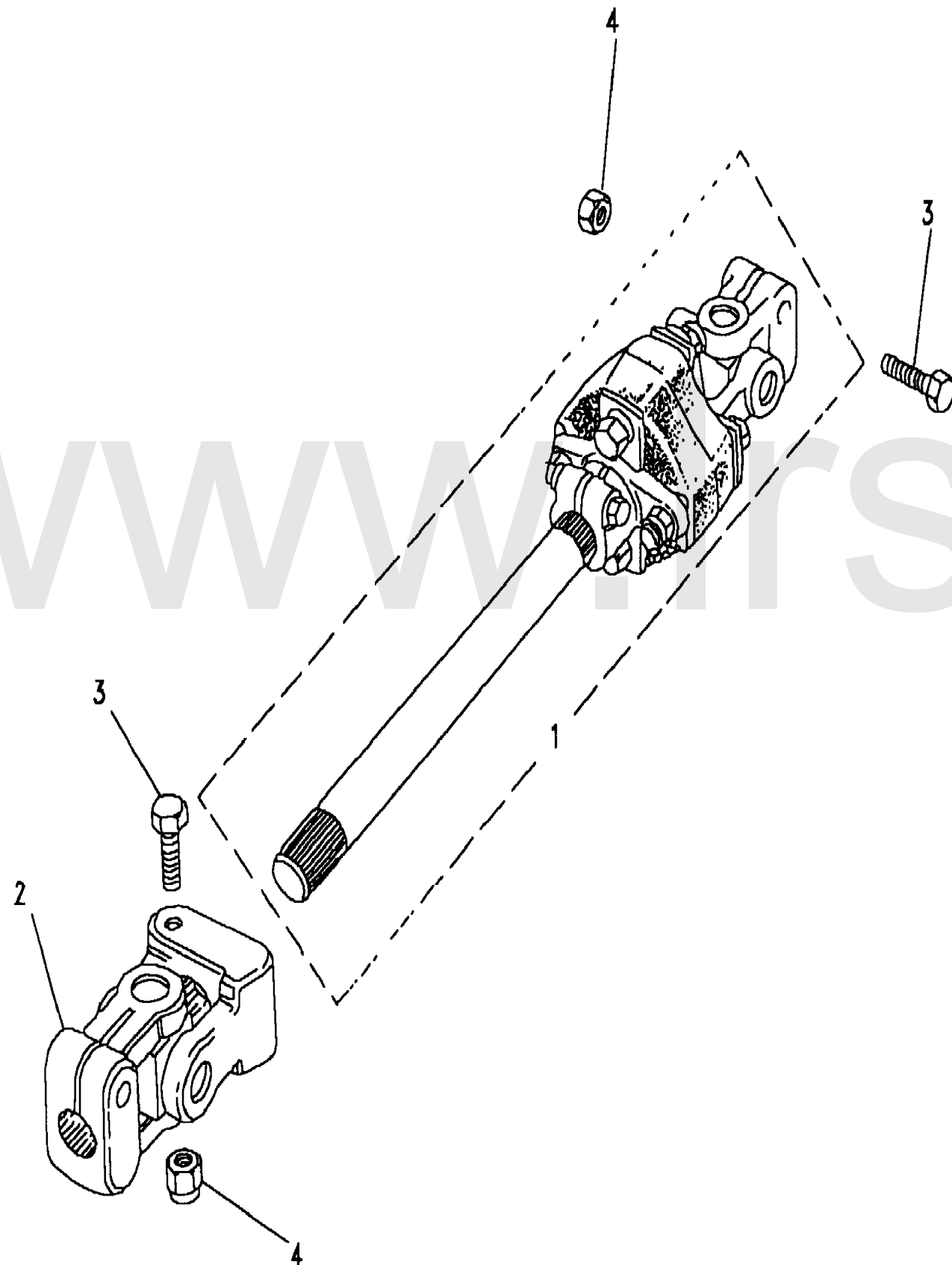
Discovery (FA393361-WA799999)  
(CAFXXA2A)

Discovery (FA393361-WA799999)

Steering  
Steering Column Lower  
Shaft-To (V) HA002271

Change point - VIN end HA002271

Callout	Name	Application	Remarks & Restrictions	Service No.	Qty
3	Bolt	Change point - VIN begin HA456981, Change point - VIN end HA486551	Flanged Head, M8 x 70	FB108141L	2
4	Nut - Hex.	Change point - VIN begin GA394352, Change point - VIN end GA456980	M8, nyloc	NY108041L	3
		Change point - VIN begin HA000001, Change point - VIN end HA002271	M8, nyloc	NY108041L	3
		Change point - VIN begin HA456981, Change point - VIN end HA486551	M8, nyloc	NY108041L	3
		Change point - VIN begin GA394352, Change point - VIN end GA456980	hexagonal head	NT108041L	2
		Change point - VIN begin HA000001, Change point - VIN end HA002271	hexagonal head	NT108041L	2
		Change point - VIN begin HA456981, Change point - VIN end HA486551	hexagonal head	NT108041L	2
[900]	Heatshield assembly steering gear	Change point - VIN begin GA394352, Change point - VIN end GA456980		NTC7369	1
		Change point - VIN begin HA000001, Change point - VIN end HA002271		NTC7369	1
		Change point - VIN begin HA456981, Change point - VIN end HA486551		NTC7369	1
[901]	Locknut	Change point - VIN begin GA394352, Change point - VIN end GA456980	M8	NY108051L	2
		Change point - VIN begin HA000001, Change point - VIN end HA002271	M8	NY108051L	2
		Change point - VIN begin HA456981, Change point - VIN end HA486551	M8	NY108051L	2



Steering  
Steering Column Lower  
Steering Box-Power 1/2

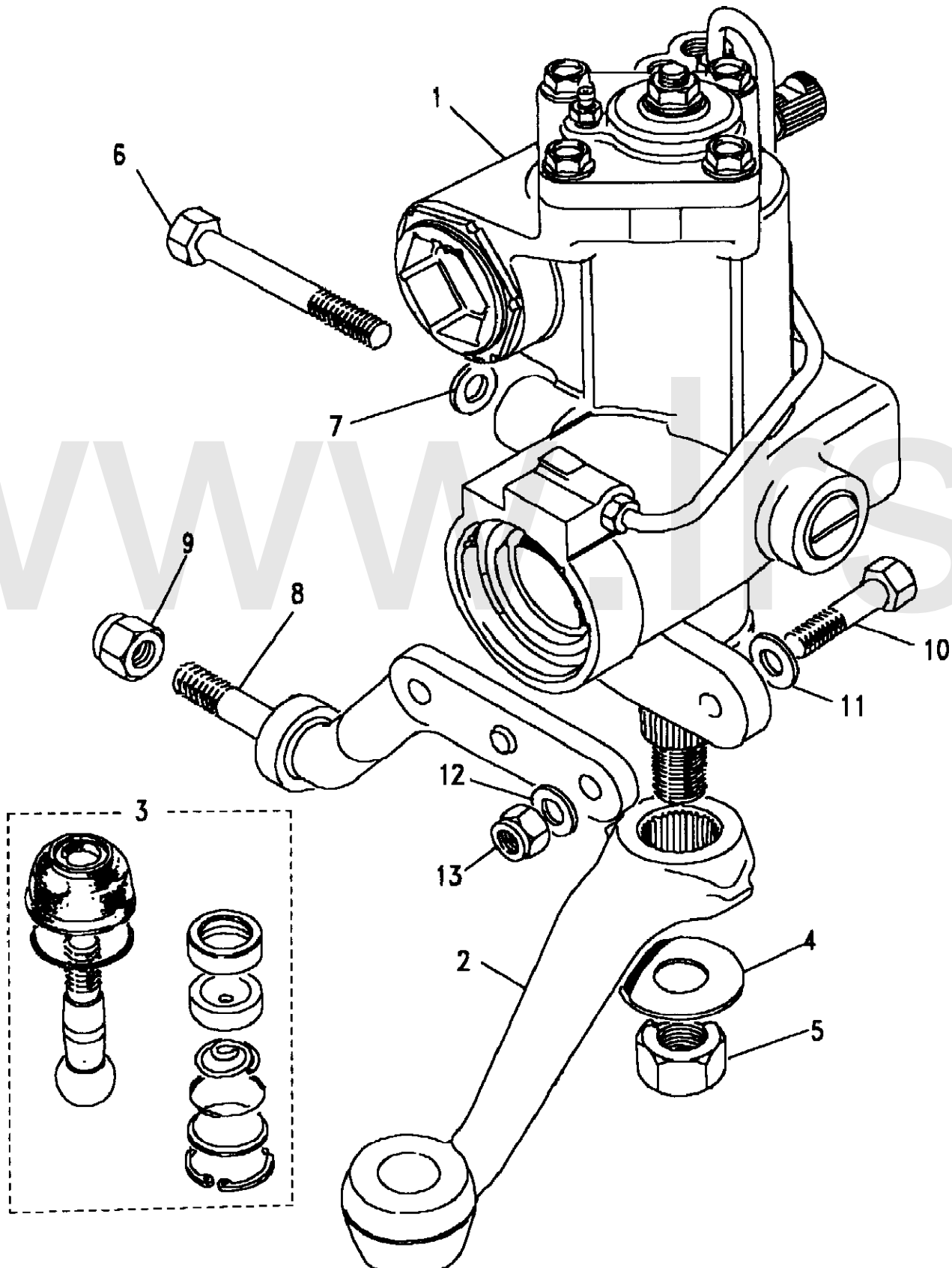
Discovery (FA393361-WA799999)  
(CAFXGC1A)

Discovery (FA393361-WA799999)

Steering  
Steering Column Lower  
Steering Box-Power

With Power Steering

Callout	Name	Application	Remarks & Restrictions	Service No.	Qty		
1	Box assembly-steering	Change point - VIN end JA018110, RHD	New	NTC8416	1		
		Change point - VIN begin JA018111, Change point - VIN end JA032984, RHD	Adwest, New, lightweight	STC398	1		
		Change point - VIN begin JA032985, RHD	Adwest, New, lightweight	STC837	1		
		Change point - VIN begin JA032985, Change point - VIN end MA118114, RHD	Adwest, New, lightweight	STC887	1		
		Change point - VIN begin MA118115, RHD	Adwest, New, lightweight	STC2846	1		
		RHD	Adwest, exchange, lightweight	STC8384E	1		
		Change point - VIN end JA018110, LHD	New	NTC8417	1		
		Change point - VIN begin JA018111, Change point - VIN end JA032984, LHD	New	STC399	1		
		Change point - VIN begin JA032985, Change point - VIN end MA118114, LHD	Adwest, New, lightweight	STC888	1		
		Change point - VIN begin MA118115, LHD	Adwest, New, lightweight	STC2845	1		
		LHD	Adwest, exchange, lightweight	STC8383E	1		
		2	Lever-drop arm steering	Change point - VIN end JA018109, RHD		RTC6396	1
				Change point - VIN end JA018109, RHD		STC1044	1
				Change point - VIN begin JA018110, RHD		NTC9236	1
Change point - VIN end JA018109, LHD				RTC6397	1		
Change point - VIN end JA018109, LHD				STC1045	1		
Change point - VIN begin JA018110, LHD				NTC9235	1		
3	Joint-ball-outer steering gear			Change point - VIN end JA018109	RH	RTC4198	1
		Change point - VIN end JA018109	RH	STC3295	1		
		Change point - VIN begin JA018110	Also serviced as part of a kit, L/H thread, LH	RTC5870	1		
4	Washer-steering box drop arm nut tab	Change point - VIN end JA018109	48MM, Adwest	600265	1		
		Change point - VIN begin JA018110	Adwest, 60MM	STC874	1		
5	Nut - Hex.			NT614041L	1		
6	Bolt		hexagonal head, M12 x 100	BX112201	4		
7	Washer		M12, Plain, Standard	WA112081L	4		



Steering  
Steering Column Lower  
Steering Box-Power 2/2

Discovery (FA393361-WA799999)

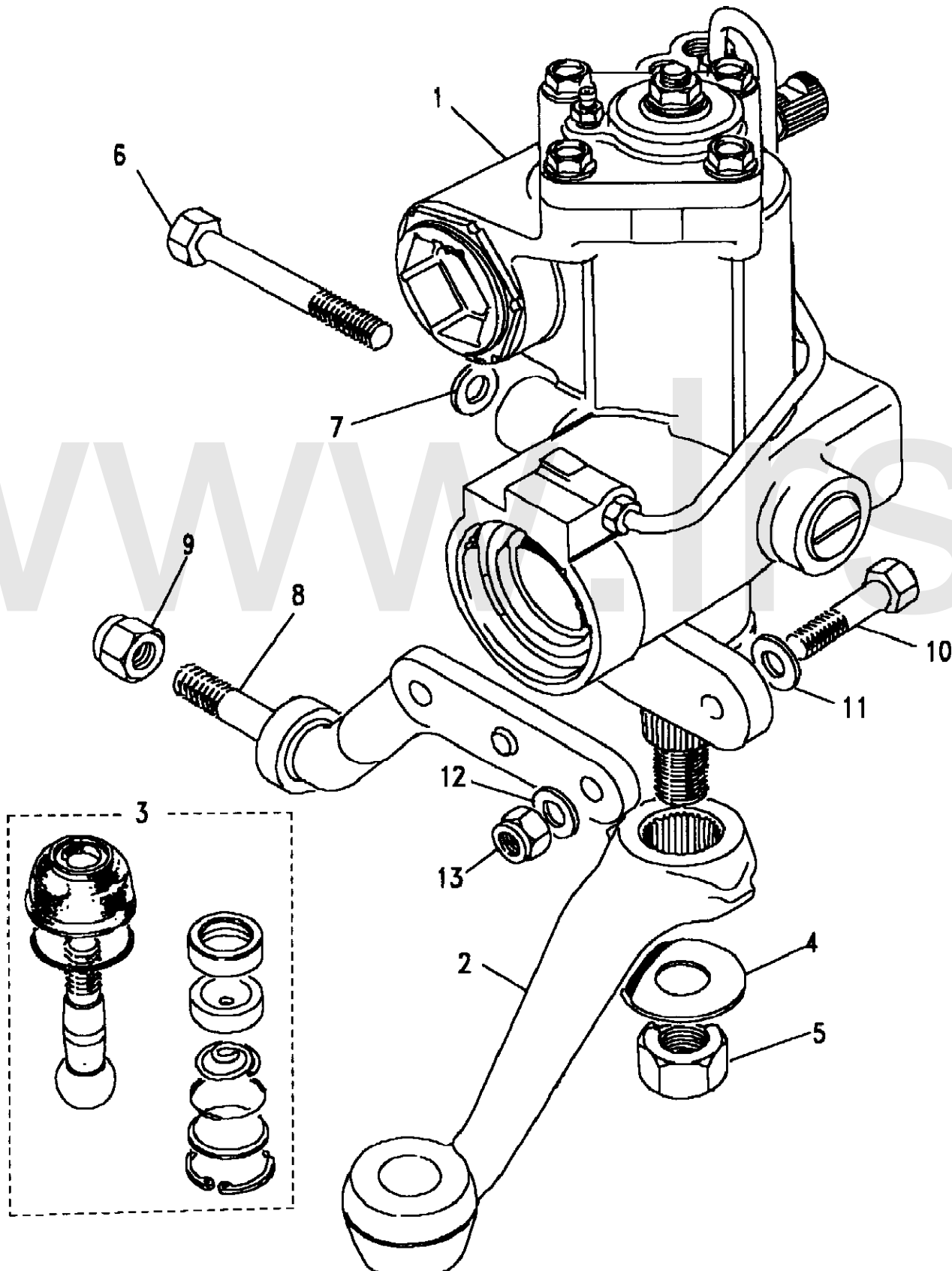
(CAFXGC1A)

Discovery (FA393361-WA799999)

Steering  
Steering Column Lower  
Steering Box-Power

With Power Steering

Callout	Name	Application	Remarks & Restrictions	Service No.	Qty
8	Bar-tie-bent forging	Change point - VIN end LA081464, RHD		594947	1
		Change point - VIN end LA081464, LHD		594946	1
		Change point - VIN begin LA081465		ANR2994	1
9	Nut-castle	Change point - VIN begin JA018110	Also serviced as part of a kit, M12 nyloc, Hexagonal, 1/2UNF	NC112041	1
				NY608041L	1
10	Bolt	Change point - VIN end LA081464 Change point - VIN begin LA081465	7/16UNF x 2 Use With ANR2994, M12 x 60 steering box centralise	BH607161L	2
				BH112121L	2
				AFU2798L	1
11	Washer-Plain	Change point - VIN begin JA018110 Change point - VIN end LA081464 Change point - VIN begin LA081465	Also serviced as part of a kit, M12 x 28 7/16", Plain Use With ANR2994, M12, Plain, Standard	WC112081L	1
				3261L	2
				WA112081L	2
12	Washer	Change point - VIN end LA081464 Change point - VIN begin LA081465	No 10, Plain Use With ANR2994, M12, Plain, Standard	217245	2
				WA112081L	2
13	Nut - Hex.	Change point - VIN end LA081464 Change point - VIN begin LA081465	nyloc, 7/16UNF Use With ANR2994, M12, hexagonal head, nyloc	NY607041L	2
				NY112041L	1
[902]	Washer		1/2"	4905	1
[903]	Kit-steering box sector shaft seal	Change point - VIN begin JA027294 Change point - VIN begin JA027294		STC875	1
				STC889	1



Steering  
Steering Column Lower  
Track Rods & Damper 1/2

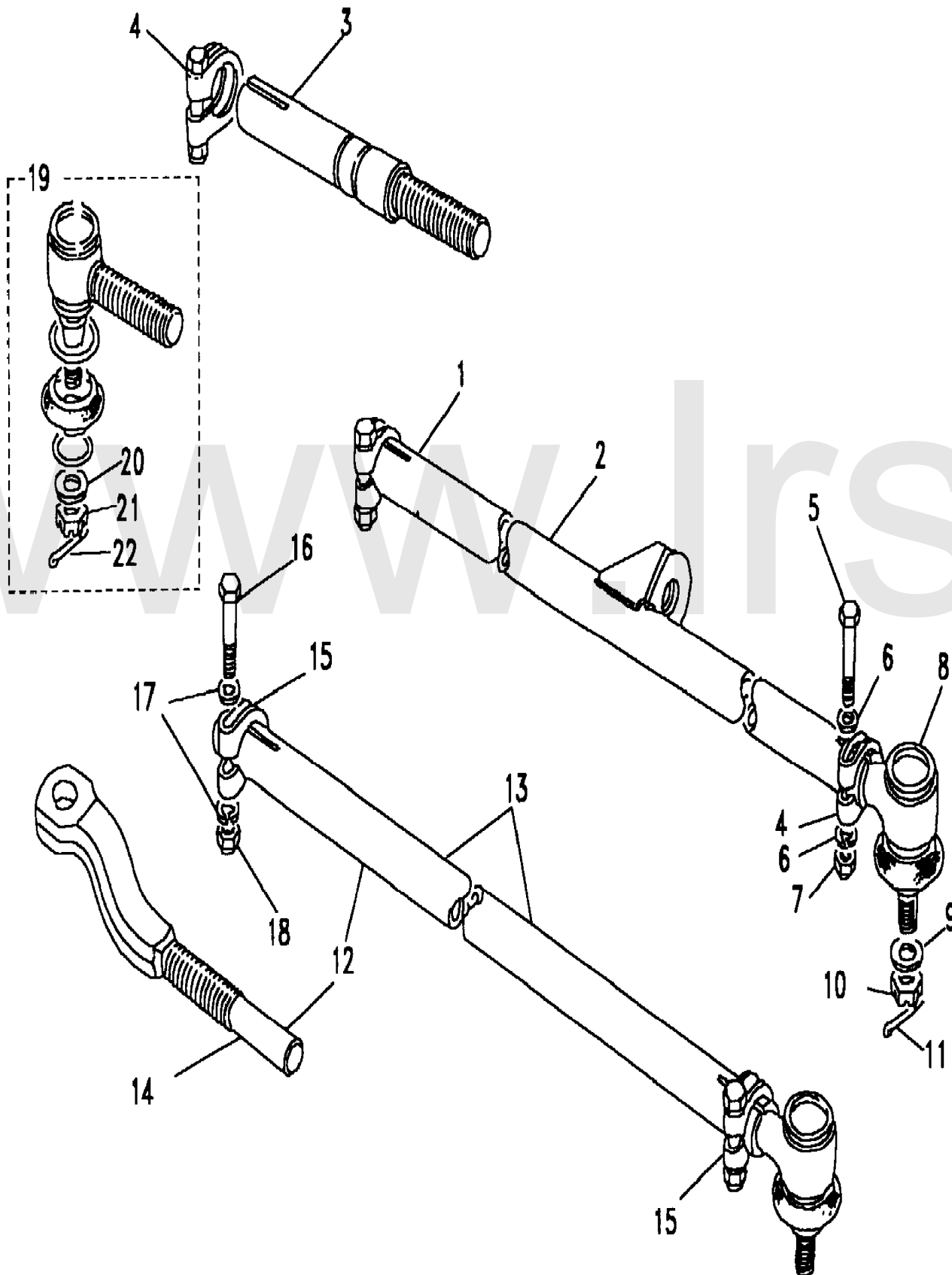
Discovery (FA393361-WA799999)

(CAFXXA1A)

Discovery (FA393361-WA799999)

Steering  
Steering Column Lower  
Track Rods & Damper

Callout	Name	Application	Remarks & Restrictions	Service No.	Qty
1	Track rod power assisted steering		Also serviced as part of a kit	RTC1799	1
2	Tube		Also serviced as part of a kit	NRC145	1
3	Shaft-track rod adjusting		Also serviced as part of a kit	NRC4700	1
4	Clamp		Also serviced as part of a kit	577898	3
5	Bolt		Also serviced as part of a kit	256006	3
6	Washer		Also serviced as part of a kit, M6	WB106041L	6
7	Locknut		Also serviced as part of a kit, 1/4UNF	252210	3
8	Kit-ball joint		Also serviced as part of a kit, RH, R/H thread	RTC5869	2
9	Washer-Plain		Also serviced as part of a kit, M12 x 28	WC112081L	2
10	Nut-castle		Also serviced as part of a kit, M12	NC112041	2
11	Pin-split		Also serviced as part of a kit, 3.2 x 32	PS106321L	1
12	Link assembly-drag	Change point - VIN end JA018174 Change point - VIN begin JA018175	Also serviced as part of a kit	NRC3226 NTC9607	1 1
13	Tube-drag link	Change point - VIN end JA018174 Change point - VIN begin JA018175	Also serviced as part of a kit	NRC1824 NTC8390	1 1
14	End piece-drag link	Change point - VIN end JA018174	Also serviced as part of a kit	NRC1823	1
15	Clamp	Change point - VIN end JA018174	Also serviced as part of a kit	577898	2
16	Bolt	Change point - VIN end JA018174	Also serviced as part of a kit	256006	2
17	Washer	Change point - VIN end JA018174	Also serviced as part of a kit, M6	WB106041L	4
18	Locknut	Change point - VIN end JA018174	Also serviced as part of a kit, 1/4UNF	252210	2
19	Kit-ball joint	Change point - VIN end JA018174 Change point - VIN end JA018174	Also serviced as part of a kit, RH, R/H thread Also serviced as part of a kit, L/H thread, LH	RTC5869 RTC5870	1 1



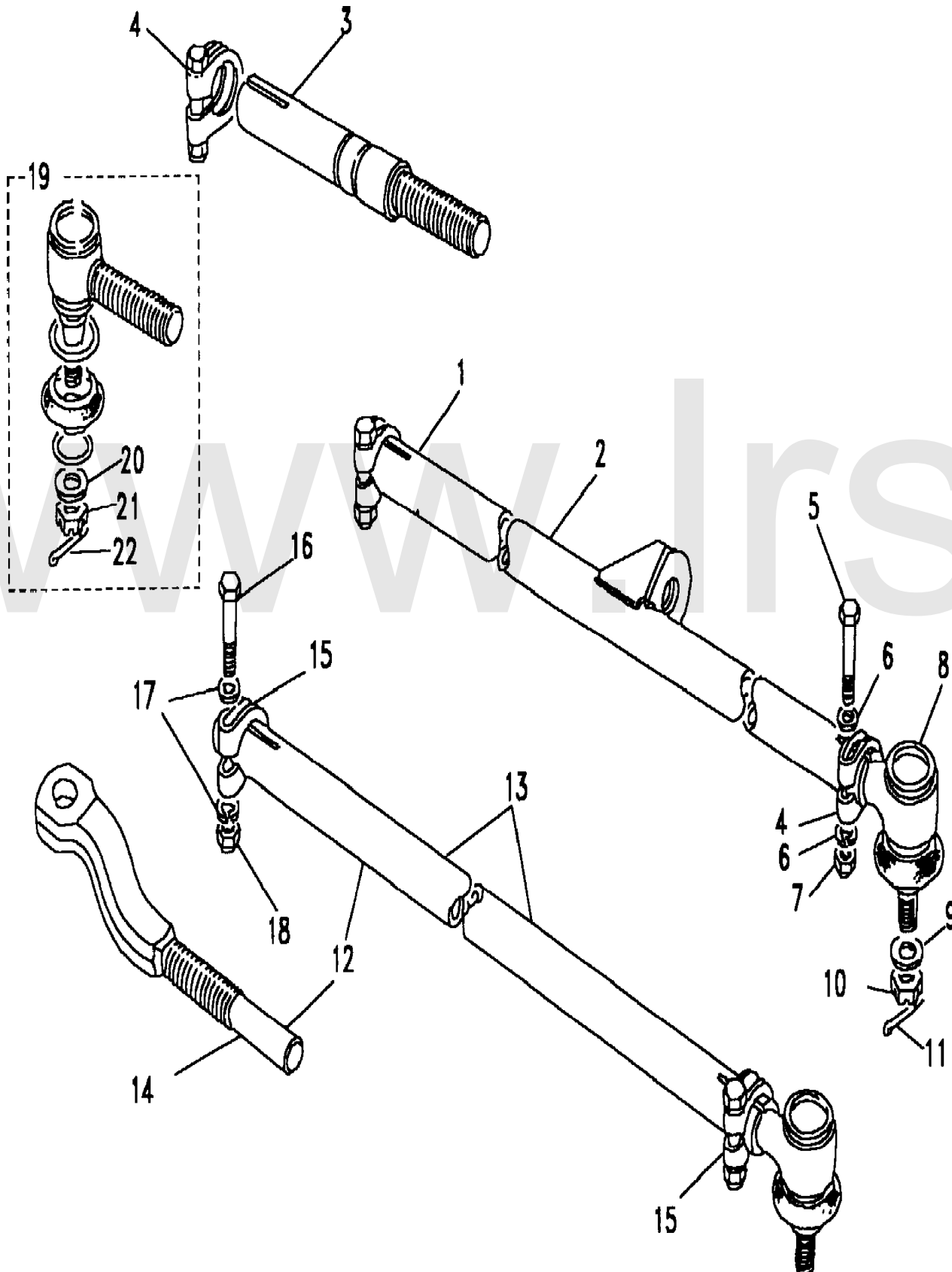
Steering  
Steering Column Lower  
Track Rods & Damper 2/2

Discovery (FA393361-WA799999)  
(CAFKA1A)

Discovery (FA393361-WA799999)

Steering  
Steering Column Lower  
Track Rods & Damper

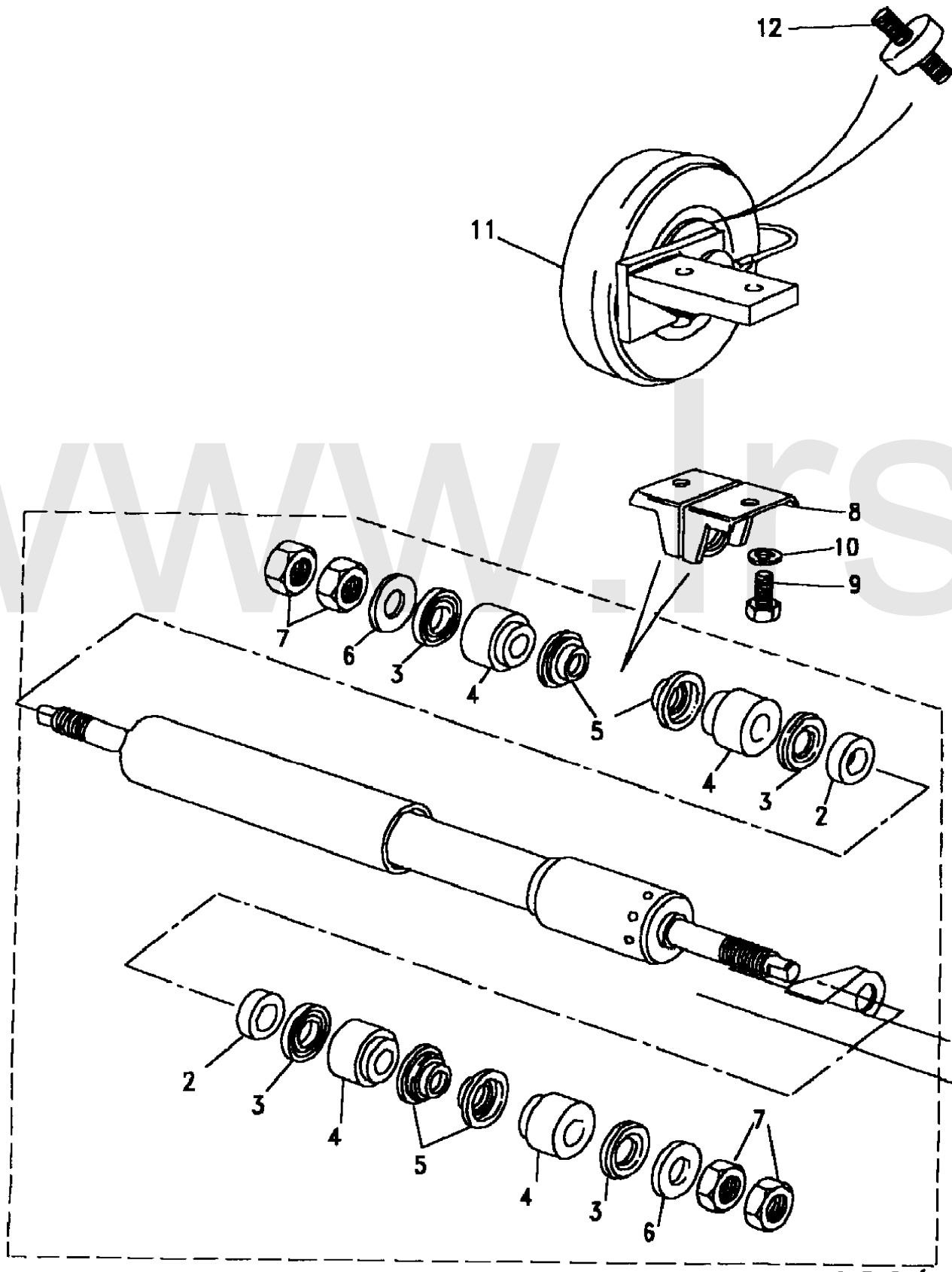
Callout	Name	Application	Remarks & Restrictions	Service No.	Qty
20	Washer-Plain	Change point - VIN end JA018174	Also serviced as part of a kit, M12 x 28	WC112081L	1
21	Nut-castle	Change point - VIN end JA018174	Also serviced as part of a kit, M12	NC112041	2
22	Pin-split	Change point - VIN end JA018174	Also serviced as part of a kit, 3.2 x 32	PS106321L	1



Steering  
Steering Column Lower  
Track Rods & Damper Cont. 1/1

Discovery (FA393361-WA799999)

(CAFXMA1A)



Discovery (FA393361-WA799999)

Steering  
Steering Column Lower  
Track Rods & Damper Cont.

Callout	Name	Application	Remarks & Restrictions	Service No.	Qty
1	Damper assembly-steering		Also serviced as part of a kit	STC786	1
2	Washer		Also serviced as part of a kit	595199	2
3	Washer		Also serviced as part of a kit	90575597	4
4	Washer-rubber		Also serviced as part of a kit	568858	4
5	Washer-cup		Also serviced as part of a kit, Intermediate	543819	4
6	Washer-Plain		Also serviced as part of a kit	2851L	2
7	Nut - Hex.		Also serviced as part of a kit, Narrow	AFU4214	4
8	Bracket			90575596	1
9	Bolt		3/8UNC x 1 1/4	BH406101L	2
10	Washer		3/8", Square	WM600061L	2
11	Damper assembly-harmonic	Change point - VIN end MA098422, With Diesel Engines, (+)"CH"	Also serviced as part of a kit	RTC6825	1
		Change point - VIN end MA098422, With Petrol Engines, (+)"CH"	Also serviced as part of a kit	RTC6825	1
		Change point - VIN end MA098422, With Diesel Engines, (-)"GB"	Also serviced as part of a kit	RTC6825	1
		Change point - VIN begin MA098423, With Diesel Engines	Also serviced as part of a kit	FRC9693	1
		Change point - VIN begin MA098423, With Petrol Engines	Also serviced as part of a kit	FTC1499	1
12	Mounting-rubber	Change point - VIN end MA098422, With Diesel Engines, (+)"CH"	Also serviced as part of a kit	ANR2803	1
		Change point - VIN begin MA098423, With Diesel Engines	Also serviced as part of a kit, M12	ANR2804	1

Steering  
Steering Column Lower  
Worm & Valve 1/1

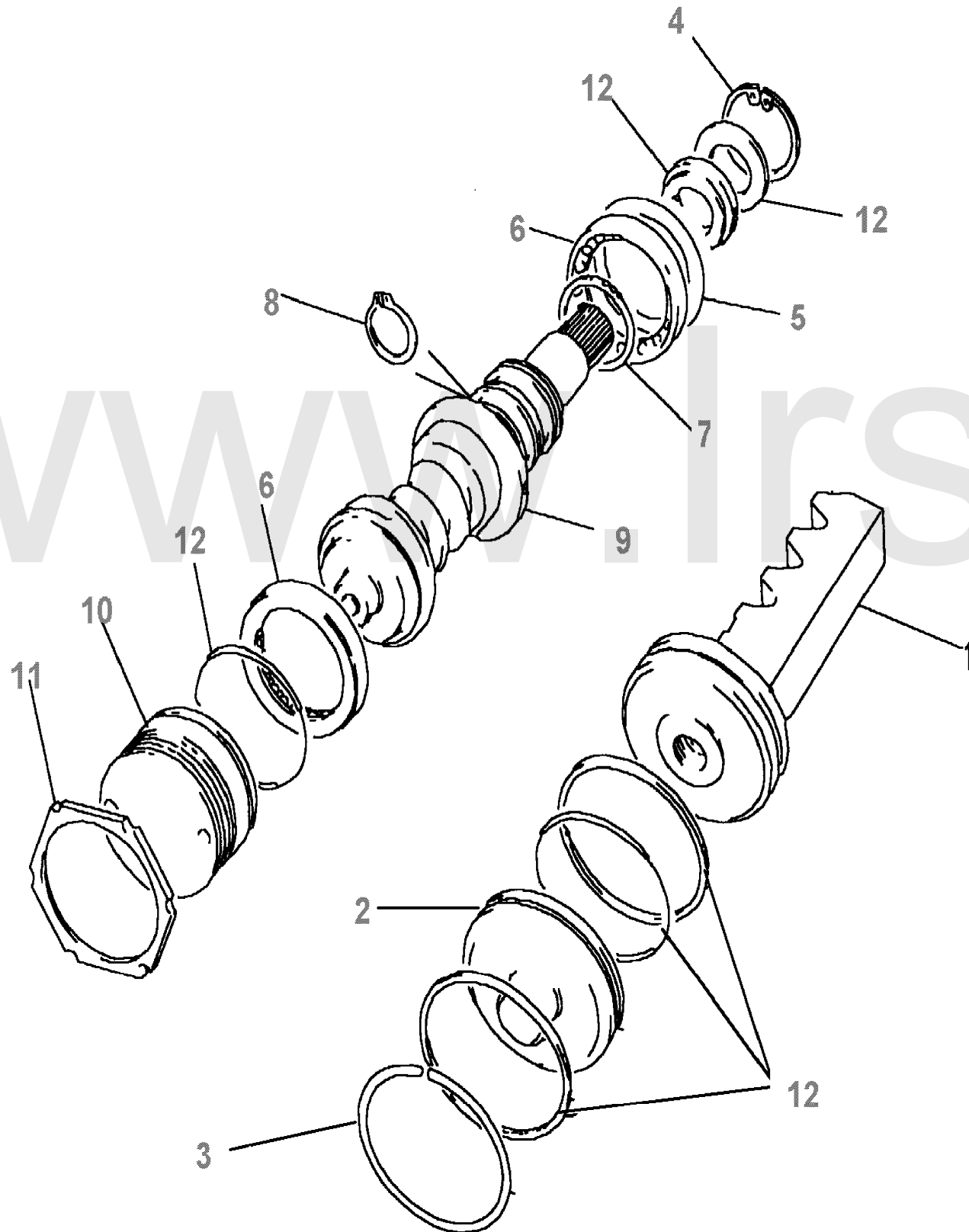
Discovery (FA393361-WA799999)  
(CAFSGC3A)

Discovery (FA393361-WA799999)

Steering  
Steering Column Lower  
Worm & Valve

With Power Steering

Callout	Name	Application	Remarks & Restrictions	Service No.	Qty
1	Piston power assisted steering			RTC4402	1
2	Worm & valve assembly-power assisted steering box	RHD LHD	RH LH	RTC4405 RTC4406	1 1
3	Shim			RTC4410	1
4	Bearing steering gear-power assisted steering			RTC4409	2
5	Screw			RTC4407	1
6	Nut - Hex.			RTC4408	1
7	Ring power assisted steering			RTC4404	1
8	Plug-blanking.			RTC4403	1
9	Ring power assisted steering			608000	3
10	Kit-power assisted steering box seal		Also serviced as part of a kit	STC2847	1



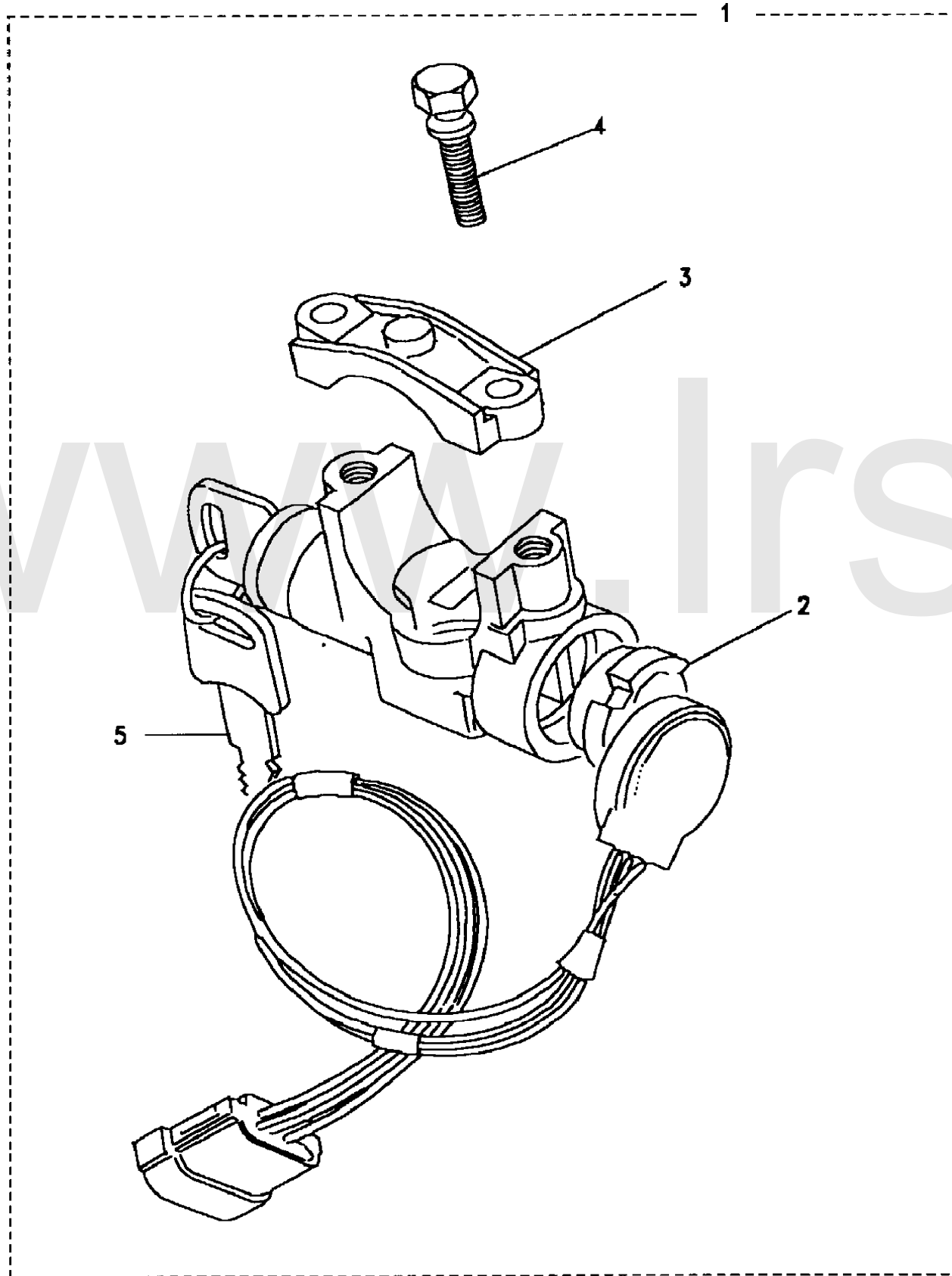
Steering  
Steering Column Upper  
Steering Column Lock 1/1

Discovery (FA393361-WA799999)  
(CAFCA1A)

Discovery (FA393361-WA799999)

Steering  
Steering Column Upper  
Steering Column Lock

Callout	Name	Application	Remarks & Restrictions	Service No.	Qty
1	Lock assembly-steering column	Change point - VIN end LA081991		STC981	1
		Change point - VIN begin MA081992, (-)"J", Less Interlock		STC1435	1
		Change point - VIN begin MA081992, (+)"J", With Interlock		STC1436	1
		Manual Transmission, (+)"CDN/MEX/USA"		STC1435	1
		Automatic Transmission, (+)"CDN/MEX/USA"		STC1436	1
2	Switch-ignition	Change point - VIN end LA081991		PRC3408	1
		Change point - VIN begin MA081992, (-)"J", Less Interlock		STC1746	1
		(+)"CDN/MEX/USA"		STC1746	1
3	Clamp-lock steering column	Change point - VIN end LA081991		589238	1
		Change point - VIN begin MA081992, (-)"J", Less Interlock (+)"CDN/MEX/USA"		STC3721	1
4	Bolt-shear-lock steering column	Change point - VIN end LA081991	M8 x 20	NTC4610	2
		Change point - VIN begin MA081992, (-)"J", Less Interlock	M8 x 12	STC2867	2
		(+)"CDN/MEX/USA"	M8 x 12	STC2867	2
5	Key-blank owner	Change point - VIN end LA081991		MXC6548	1
		Change point - VIN begin MA081992		CWE10032L	1
		(+)"CDN/MEX/USA"		CWE10032L	1

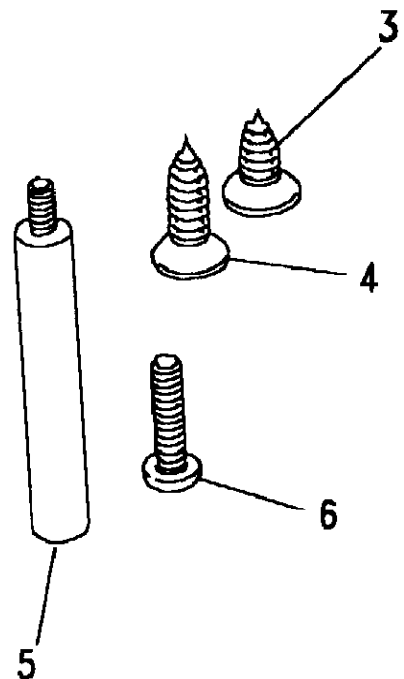
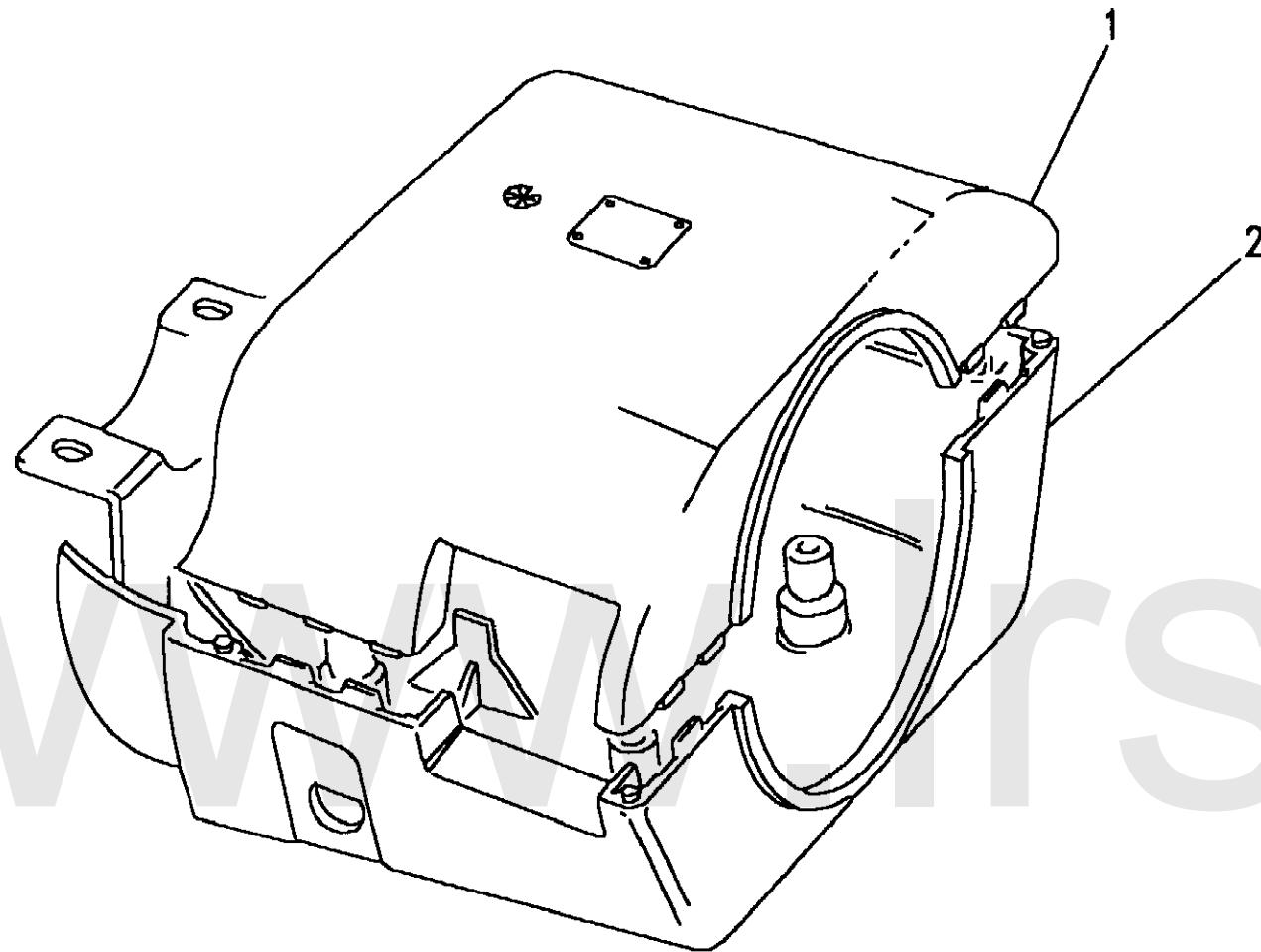


Steering  
Steering Column Upper  
Steering Column Shroud 1/1

Discovery (FA393361-WA799999)  
(CAFCA2A)

Discovery (FA393361-WA799999)

Steering  
Steering Column Upper  
Steering Column Shroud



Callout	Name	Application	Remarks & Restrictions	Service No.	Qty
1	Cowl-upper half left hand indicator system	Change point - VIN end LA081991	Sonar Blue	MWC8326JUL	1
		Change point - VIN end LA081991	Bahama Beige	MWC8326SUC	1
2	Cowl-lower half left hand indicator system	Change point - VIN end LA081991	Sonar Blue	MXC2858JUL	1
		Change point - VIN end LA081991	Bahama Beige	MXC2858SUC	1
		Change point - VIN begin MA081992	Ash Grey, upper & lower	QRB10006LNF	1
3	Screw			DA606031	2
4	Screw			DA606061L	2
5	Spacer		Lower	MWC 1847	2
6	Screw		M8 X 16	SE104161L	4
		Change point - VIN begin MA081992		QYP10007	3

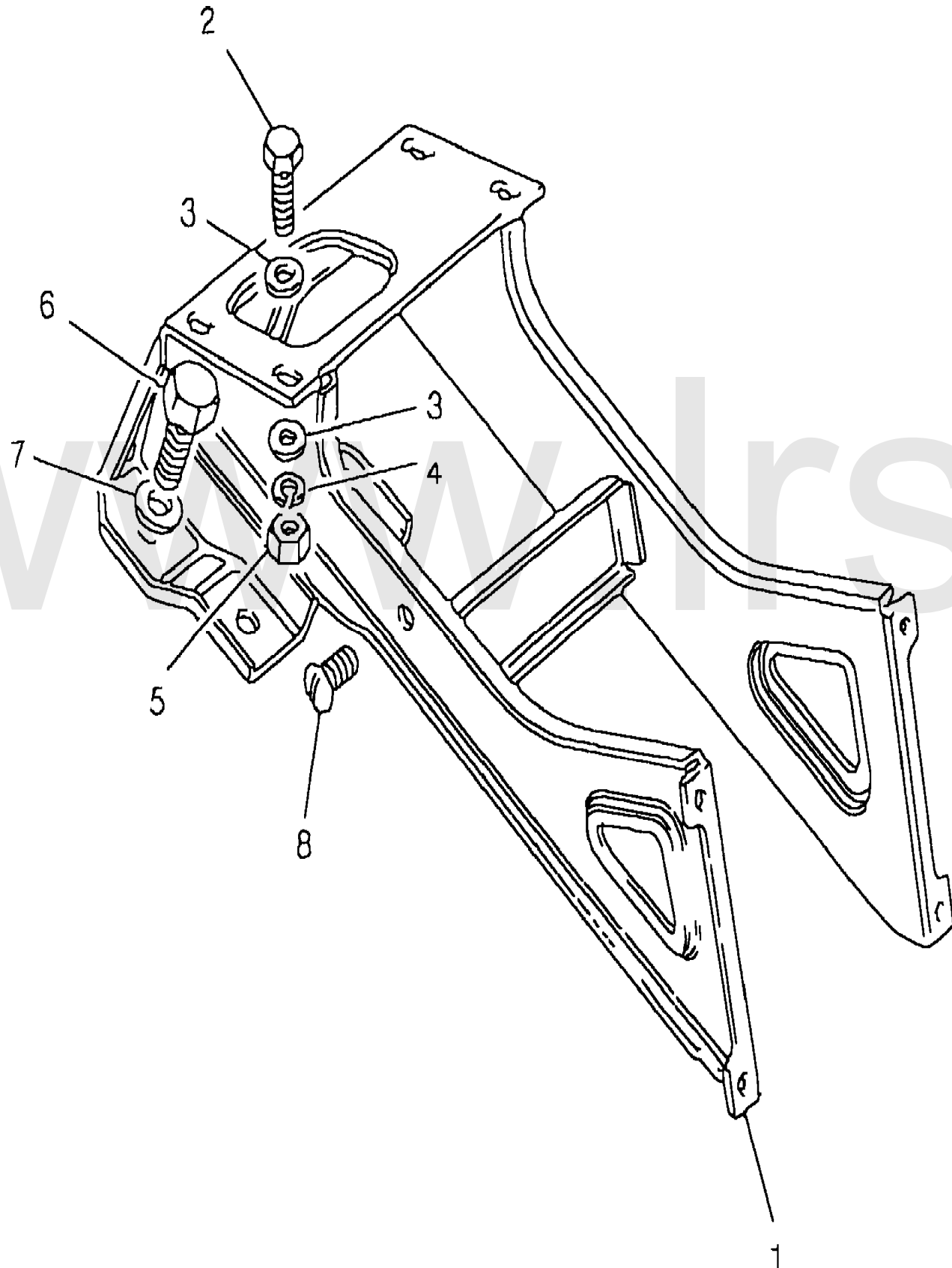
www.rservice.ru

Steering  
Steering Column Upper  
Steering Column Top Support 1/1

Discovery (FA393361-WA799999)  
(CAFXE1A)

Discovery (FA393361-WA799999)

Steering  
Steering Column Upper  
Steering Column Top Support



Callout	Name	Application	Remarks & Restrictions	Service No.	Qty
1	Bracket-steering column	Change point - VIN end JA034313, LHD	Upper	ALR1475	1
		Change point - VIN begin KA034314, Change point - VIN end MA081992, LHD	Upper	ALR3723	1
		Change point - VIN begin MA081992, LHD	Upper	ANR3003	1
		Change point - VIN end JA034313, RHD	Upper	ALR1476	1
		Change point - VIN begin KA034314, Change point - VIN end MA081992, RHD	Upper	ALR3722	1
		Change point - VIN begin MA081992, RHD	Upper	ANR3004	1
		2	Bracket-steering column	Change point - VIN begin MA081992, LHD	Lower
Change point - VIN begin MA081992, LHD	Lower			AHU700010	1
Change point - VIN begin MA081992, RHD	Lower			ANR3656	1
3	Screw		hexagonal head, 5/16UNF x 3/4	SH605061L	4
4	Washer-Plain			RTC613	8
5	Washer-Spring		Also serviced as part of a kit, 5/16"	WM600051L	4
6	Nut - Hex.		hexagonal head, 5/16UNF	NH605041L	4
7	Screw			255249	3
8	Washer-Plain			3036L	3
9	Screw		Self Tapping	72628	X
			Self Tapping, No 14 x 3/4	AB614061L	1

Steering  
Steering Column Upper  
Steering Wheel & Column 1/3

Discovery (FA393361-WA799999)

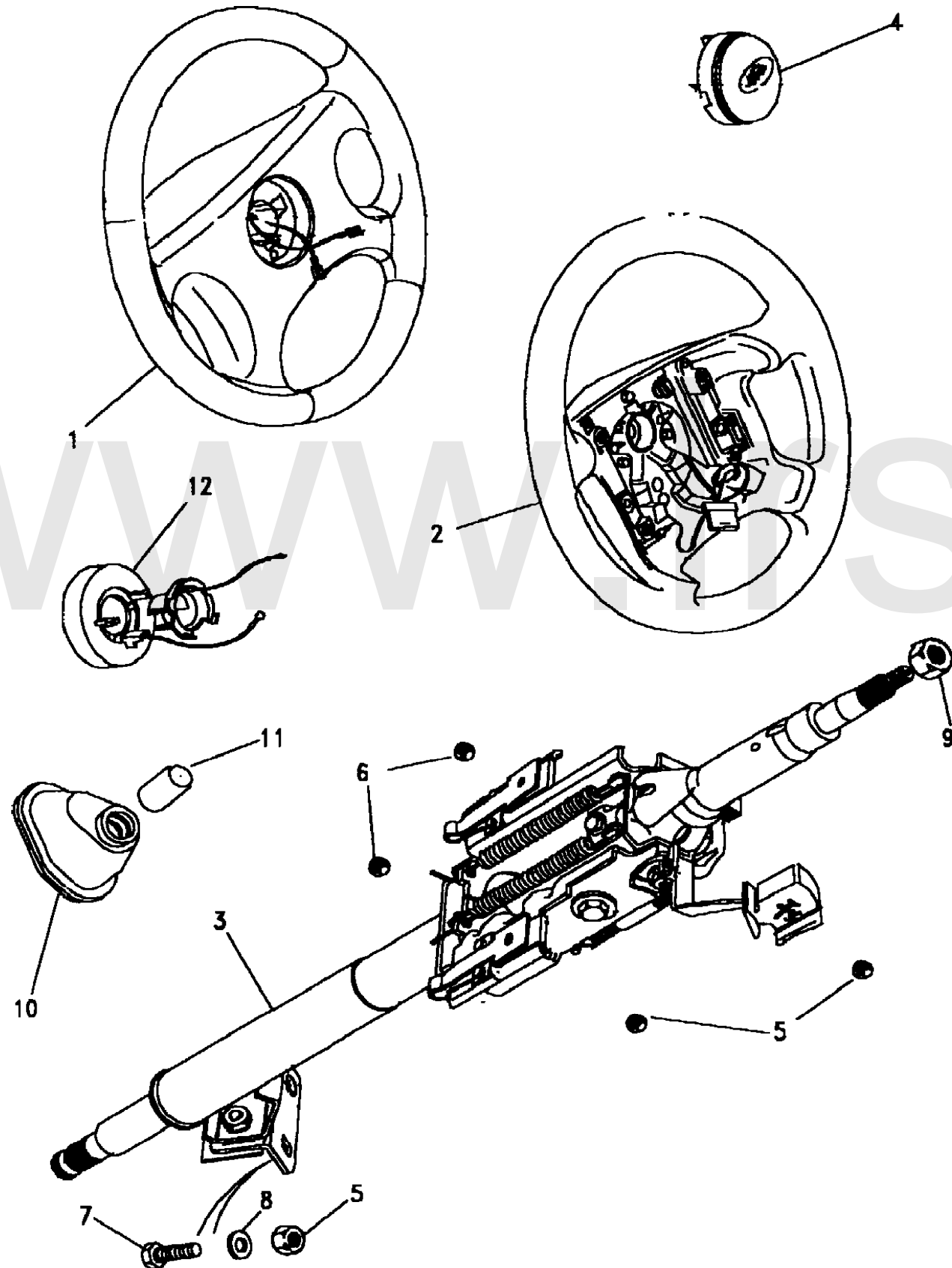
(CAFXAA1B)

Discovery (FA393361-WA799999)

Steering  
Steering Column Upper  
Steering Wheel & Column

Change point - VIN begin MA081992

Callout	Name	Application	Remarks & Restrictions	Service No.	Qty
1	Wheel assembly-steering	Change point - VIN begin MA081992, Change point - VIN end TA199999, Less Driver Air Bag, Less Cruise Control	Vinyl, Ash Grey	NTC9940LNF	1
		Change point - VIN begin TA500000, Change point - VIN end VA540093, Less Driver Air Bag, Less Cruise Control	Vinyl, Ash Grey	NTC9940LNF	1
		Change point - VIN begin TA700000, Change point - VIN end VA709343, Less Driver Air Bag, Less Cruise Control	Vinyl, Ash Grey	NTC9940LNF	1
		Change point - VIN begin MA081992, Change point - VIN end TA199999, Less Driver Air Bag, Less Cruise Control	Ash Grey, Leather	ANR3041LNF	1
		Change point - VIN begin TA500000, Change point - VIN end VA540093, Less Driver Air Bag, Less Cruise Control	Ash Grey, Leather	ANR3041LNF	1
		Change point - VIN begin TA700000, Change point - VIN end VA709343, Less Driver Air Bag, Less Cruise Control	Ash Grey, Leather	ANR3041LNF	1
		Change point - VIN begin VA709344, Less Driver Air Bag, Less Cruise Control	Vinyl, Ash Grey	ANR6574LNF	1
		Change point - VIN begin VA540094, Change point - VIN end VA558898, Less Driver Air Bag, Less Cruise Control	Vinyl, Ash Grey	ANR6574LNF	1
		Change point - VIN begin VA709344, Less Driver Air Bag, Less Cruise Control	Ash Grey, Leather	ANR6576LNF	1
		Change point - VIN begin VA540094, Change point - VIN end VA558898, Less Driver Air Bag, Less Cruise Control	Ash Grey, Leather	ANR6576LNF	1
		Change point - VIN begin MA081992, Change point - VIN end TA199999, Less Driver Air Bag, With Cruise Control	Vinyl, Ash Grey	NTC9941LNF	1
		Change point - VIN begin TA500000, Change point - VIN end VA540093, Less Driver Air Bag, With Cruise Control	Vinyl, Ash Grey	NTC9941LNF	1
		Change point - VIN begin TA700000, Change point - VIN end VA709343, Less Driver Air Bag, With Cruise Control	Vinyl, Ash Grey	NTC9941LNF	1



Steering  
Steering Column Upper  
Steering Wheel & Column 2/3

Discovery (FA393361-WA799999)

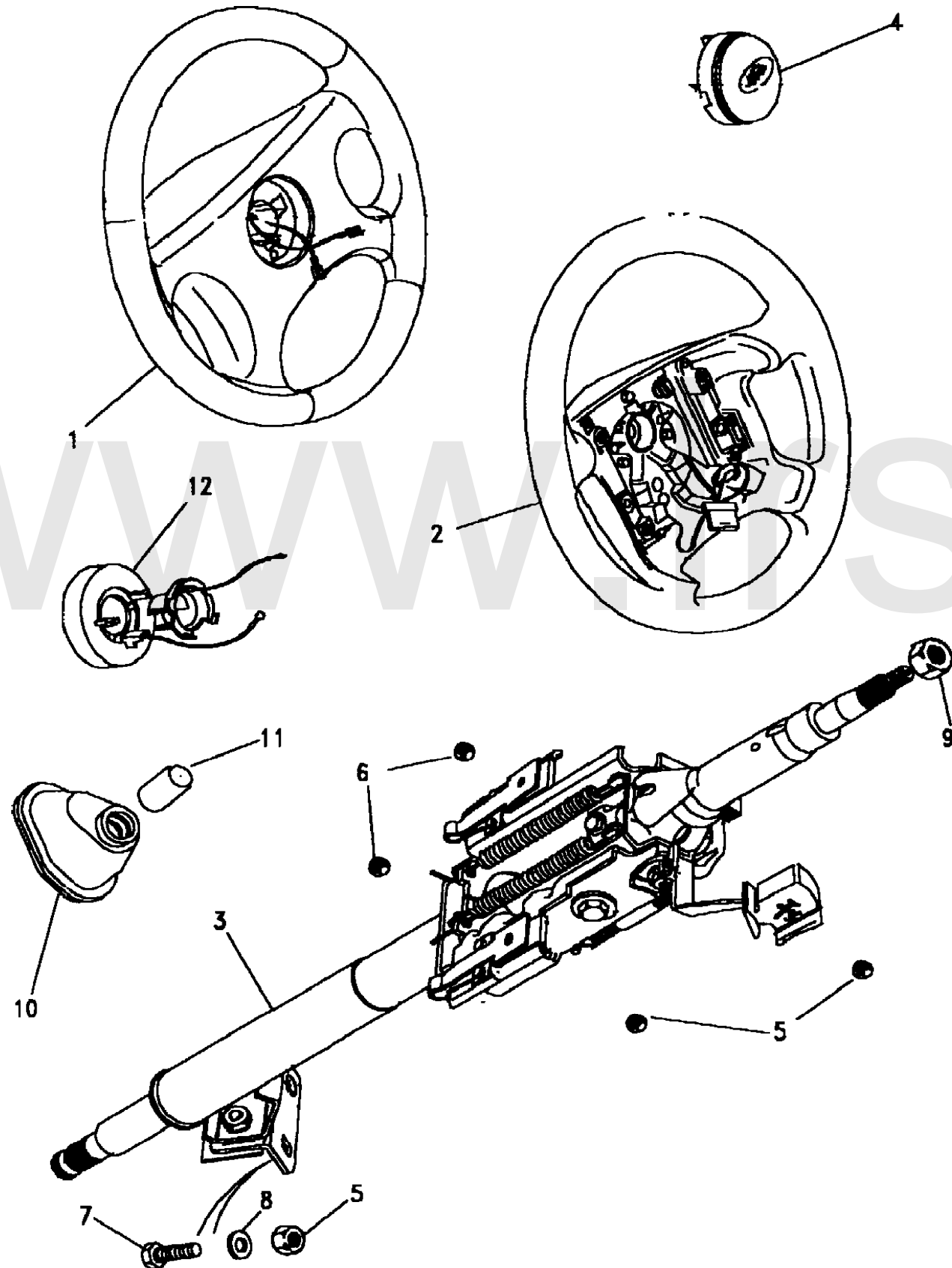
(CAFXAA1B)

Discovery (FA393361-WA799999)

Steering  
Steering Column Upper  
Steering Wheel & Column

Change point - VIN begin MA081992

Callout	Name	Application	Remarks & Restrictions	Service No.	Qty
1	Wheel assembly-steering	Change point - VIN begin MA081992, Change point - VIN end TA199999, Less Driver Air Bag, With Cruise Control	Ash Grey, Leather	ANR3042LNF	1
		Change point - VIN begin TA500000, Change point - VIN end VA540093, Less Driver Air Bag, With Cruise Control	Ash Grey, Leather	ANR3042LNF	1
		Change point - VIN begin TA700000, Change point - VIN end VA709343, Less Driver Air Bag, With Cruise Control	Ash Grey, Leather	ANR3042LNF	1
		Change point - VIN begin VA709344, Less Driver Air Bag, With Cruise Control	Vinyl, Ash Grey	ANR6575LNF	1
		Change point - VIN begin VA540094, Change point - VIN end VA558898, Less Driver Air Bag, With Cruise Control	Vinyl, Ash Grey	ANR6575LNF	1
		Change point - VIN begin VA709344, Less Driver Air Bag, With Cruise Control	Ash Grey, Leather	ANR6577LNF	1
		Change point - VIN begin VA540094, Change point - VIN end VA558898, Less Driver Air Bag, With Cruise Control	Ash Grey, Leather	ANR6577LNF	1
		With Driver Air Bag, Less Cruise Control	Vinyl, Ash Grey	NTC9687LNF	1
		With Driver Air Bag, Less Cruise Control	Ash Grey, Leather	ANR3043LNF	1
		With Driver Air Bag, With Cruise Control	Vinyl, Ash Grey	NTC9942LNF	1
2	Wheel assembly-steering	With Driver Air Bag, With Cruise Control	Ash Grey, Leather	ANR3044LNF	1
		Passive Restraint, Less Cruise Control		ANR3653	1
3	Column assembly-tilt steering system	Passive Restraint, With Cruise Control		ANR3654	1
		Change point - VIN end WA773562	Ash Grey	NTC9939LNF	1
4	Horn push assembly steering wheel	Change point - VIN begin WA773563		QTN100260LNF	1
		Nut - Hex.		QYH10005	4
5	Washer-Plain			CLP9089L	2
7	Screw	M8 X 16, hexagonal head		SH108161L	2
		M8 X 16, Flanged Head		FS108161L	2
8	Washer		8MM	WA108051L	2



Steering  
Steering Column Upper  
Steering Wheel & Column 3/3

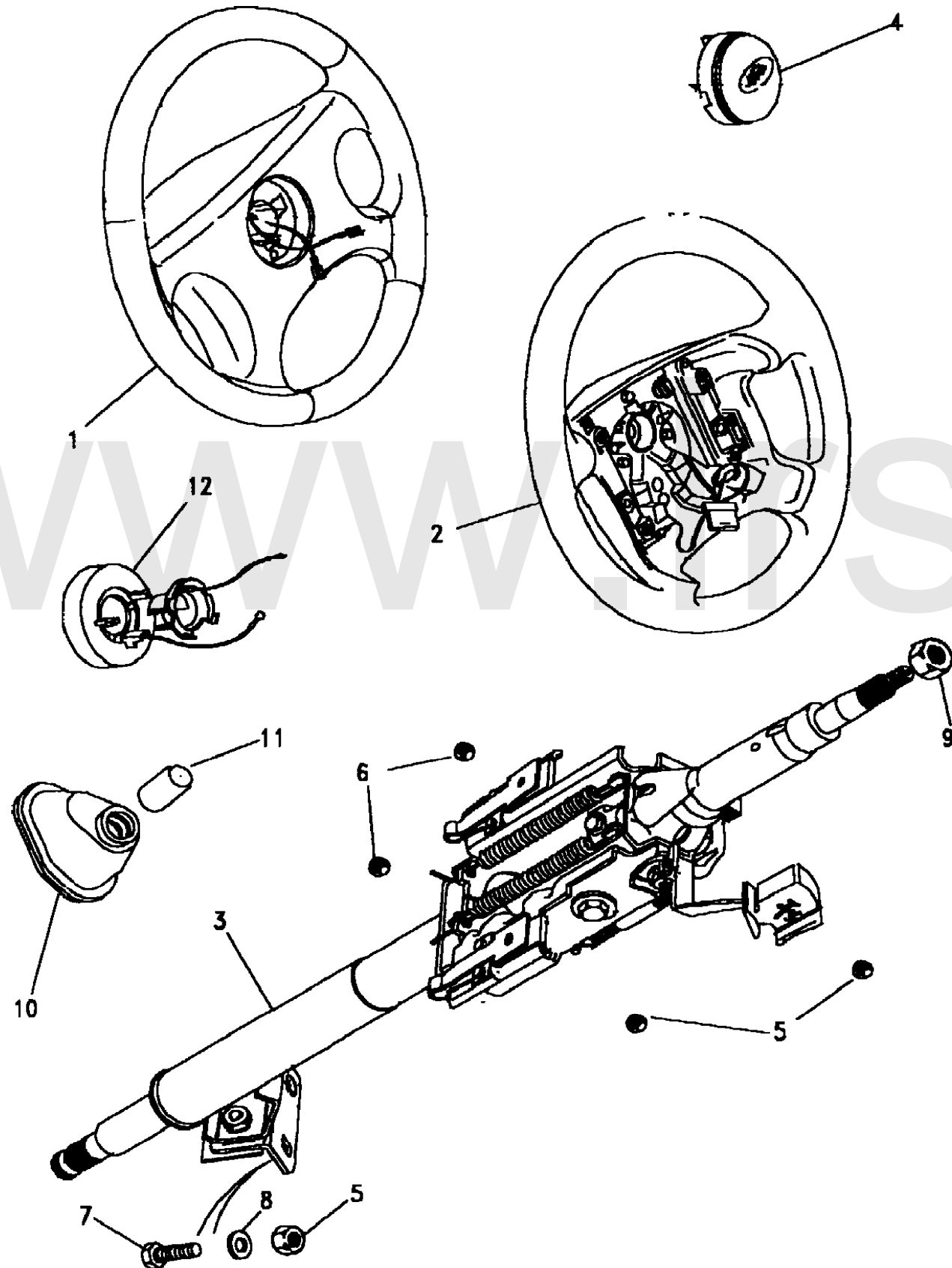
Discovery (FA393361-WA799999)  
(CAFXAA1B)

Discovery (FA393361-WA799999)

Steering  
Steering Column Upper  
Steering Wheel & Column

Change point - VIN begin MA081992

Callout	Name	Application	Remarks & Restrictions	Service No.	Qty
9	Nut - Hex.		M12	DBP3067L	1
10	Grommet-sealing	Change point - VIN begin MA081992, Change point - VIN end TA165165 Change point - VIN begin TA500000, Change point - VIN end TA502446 Change point - VIN begin TA700000 Change point - VIN begin TA165166, Change point - VIN end TA199999 Change point - VIN begin TA502447, Change point - VIN end VA558898	Also serviced as part of a kit Also serviced as part of a kit Also serviced as part of a kit Also serviced as part of a kit Also serviced as part of a kit	ANR2933 ANR2933 ANR5053 ANR5053 ANR5053	1 1 1 1 1
11	Bush	Change point - VIN begin TA700000 Change point - VIN begin TA165166, Change point - VIN end TA199999 Change point - VIN begin TA502447, Change point - VIN end VA558898	Also serviced as part of a kit Also serviced as part of a kit Also serviced as part of a kit	ANR4747 ANR4747 ANR4747	1 1 1
12	Kit-indicator trip/slip ring		For Steering Wheels Only With Horn Push	STC2910	1



Steering  
Steering Column Upper  
Steering Wheel & Column 1/1

Discovery (FA393361-WA799999)

(CAFCAA1A)

Discovery (FA393361-WA799999)

Steering  
Steering Column Upper  
Steering Wheel & Column

Change point - VIN end LA081991

Callout	Name	Application	Remarks & Restrictions	Service No.	Qty
1	Column assembly steering system			NTC7818	1
2	Wheel assembly-steering soft feel		Sonar Blue	NTC5043JUL	1
			Bahama Beige	NTC5043SUC	1
3	Cover steering wheel nut			NTC6160	1
4	Badge steering wheel	Change point - VIN end JA016881	Sonar Blue	NTC7825JUL	1
		Change point - VIN end JA016881	Bahama Beige	NTC7825SUC	1
		Change point - VIN begin JA016882, Change point - VIN end LA081991	Sonar Blue	BTR855JUL	1
		Change point - VIN begin JA016882, Change point - VIN end LA081991	Bahama Beige	BTR855SUC	1
5	Ring-self cancelling			NTC3853	1
6	Washer-Spring			575883	1
7	Nut - Hex.			577389	1
8	Screw			255249	3
9	Washer-Plain			2851L	3
10	Washer-Plain			3036L	3
11	Nut - Hex.		hexagonal head, 3/8, UNF, nyloc	NY606041L	3
12	Gasket-sealing			575733	1
13	Screw		hexagonal head	SH605091L	2
14	Washer-Plain			RTC613	4
15	Locknut			NY605041L	2

