

Braking Systems
 Brake Actuation
 ABS Modulator 1/1

Discovery (FA393361-WA799999)

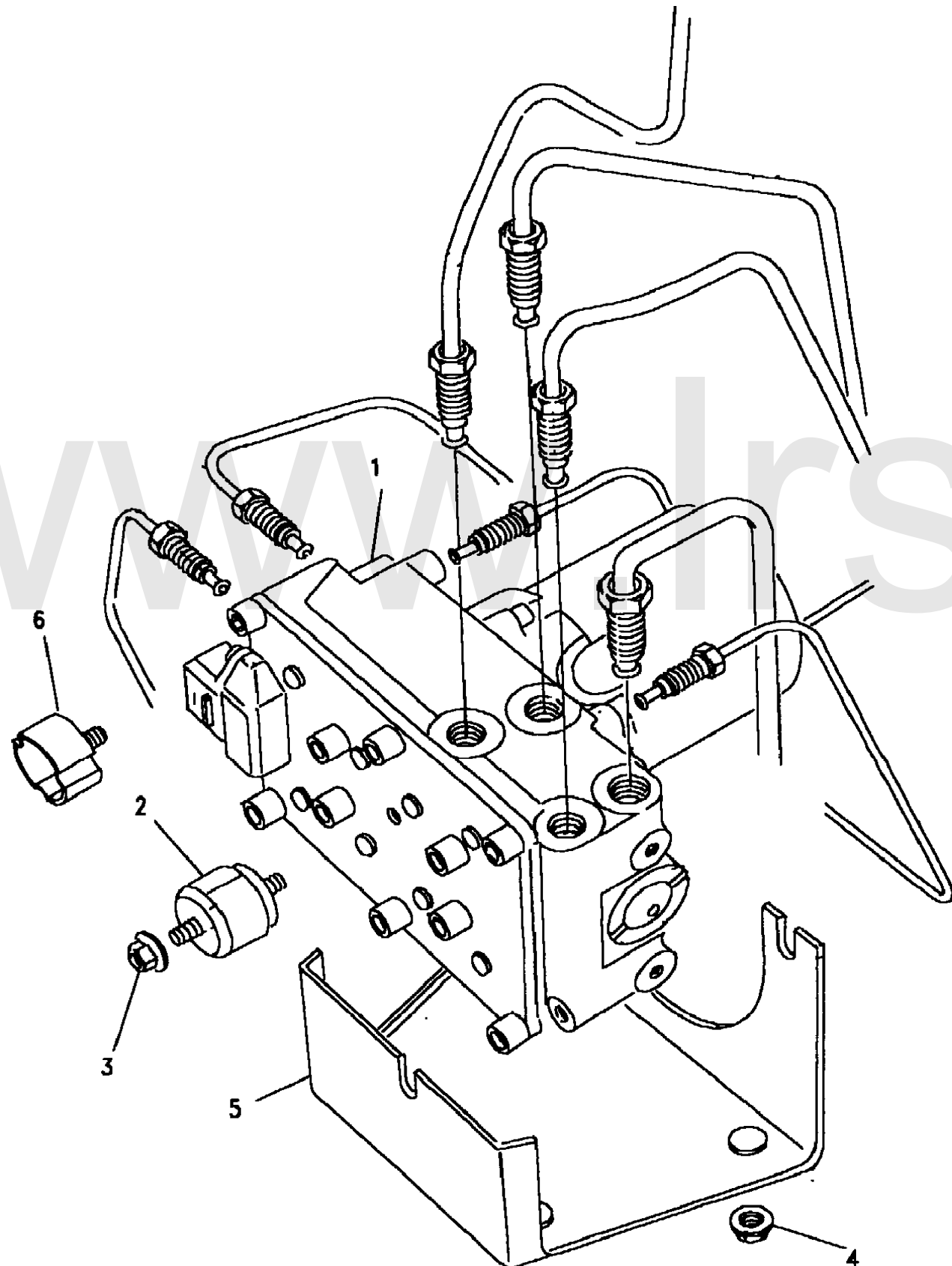
(CAHXAC1A)

Discovery (FA393361-WA799999)

Braking Systems
 Brake Actuation
 ABS Modulator

All Wheel Anti-Lock Braking System

Callout	Name	Application	Remarks & Restrictions	Service No.	Qty
1	Modulator antilock brakes	Change point - VIN end MA163103		STC1651	1
		Change point - VIN begin TA700000		STC3129	1
2	Bush-rubber-modulator antilock brakes	Change point - VIN end TA508779	Hexagonal	ANR3108	3
		Change point - VIN end TA180925	Hexagonal	ANR3108	3
		Change point - VIN begin TA180926		ANR5265	3
		Change point - VIN begin TA508780		ANR5265	3
3	Nut-flange		M6	FN106047L	1
4	Nut - Hex.		M6, nyloc, flange	NY106041	4
5	Bracket-modulator antilock brakes	Change point - VIN end MA163103		ANR2514	1
		Change point - VIN begin TA163104, Change point - VIN end TA180925		ANR4634	1
		Change point - VIN begin TA501920, Change point - VIN end TA508779		ANR4634	1
		Change point - VIN begin TA700000		ANR5262	1
		Change point - VIN begin TA180926, Change point - VIN end TA199999		ANR5262	1
		Change point - VIN begin TA508780, Change point - VIN end VA558898		ANR5262	1
6	Washer-cup			ANR3107	3



Braking Systems
 Brake Actuation
 Master Cylinder & Servo 1/2

Discovery (FA393361-WA799999)

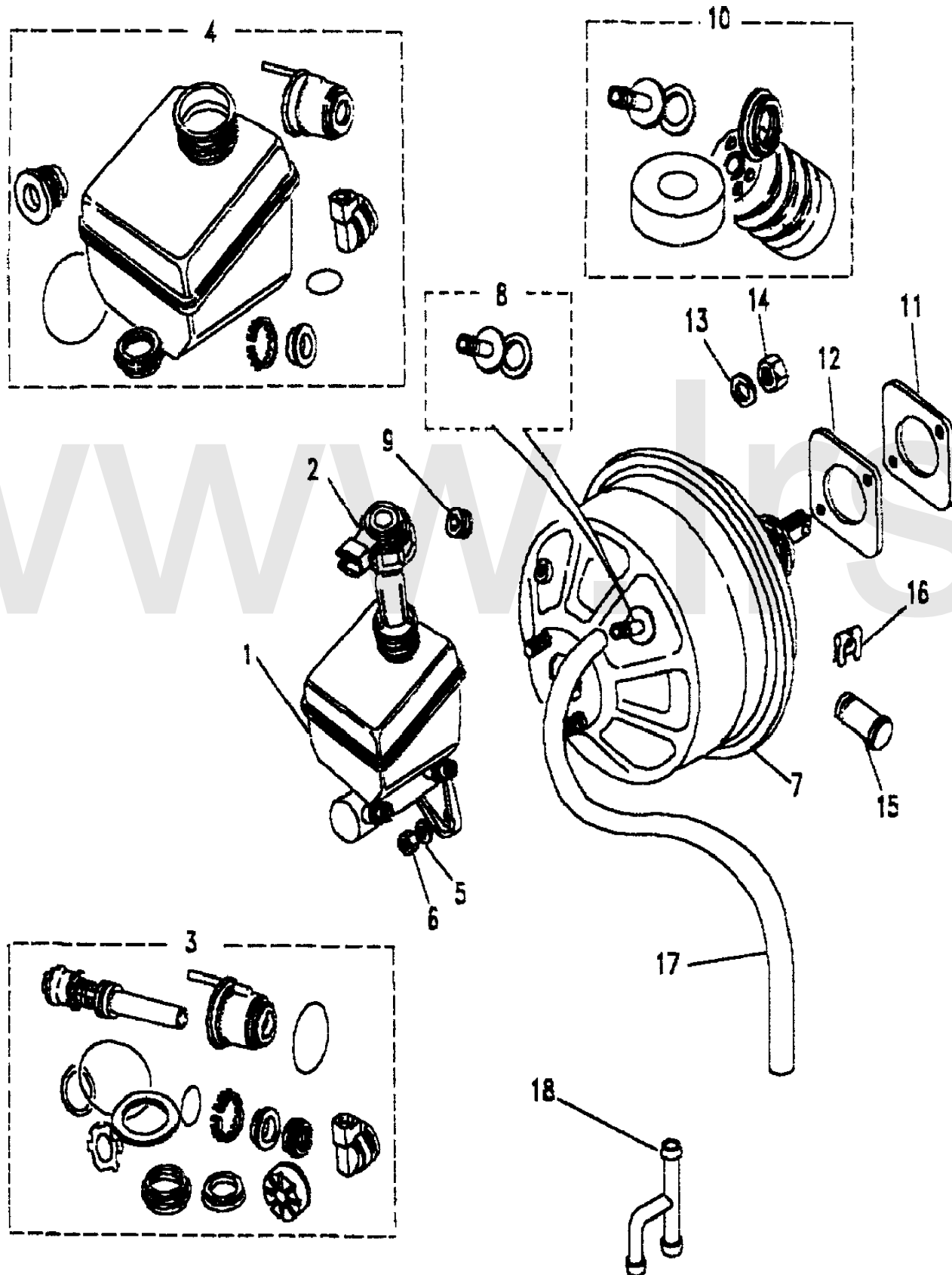
(CAHXAA1A)

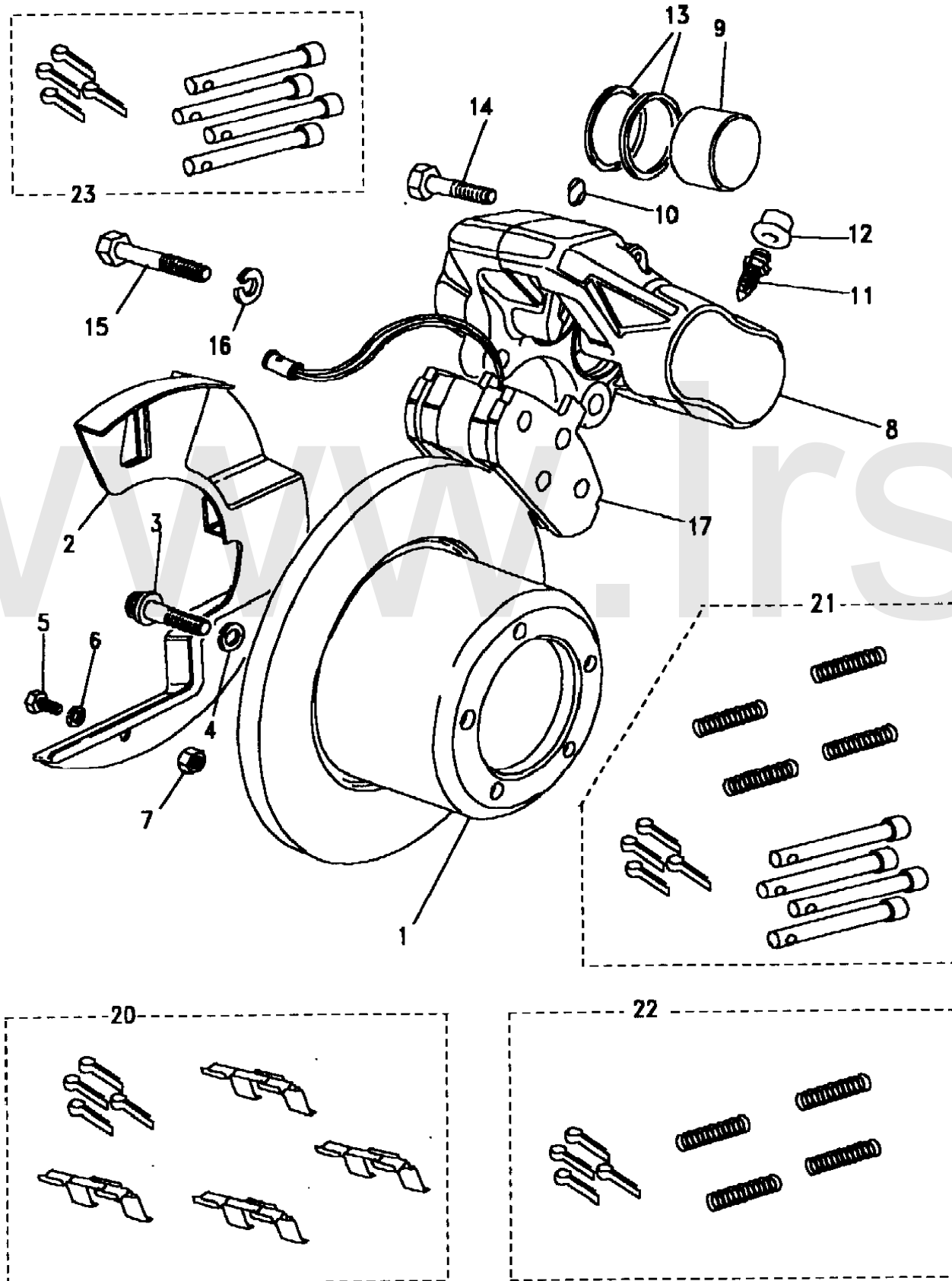
Discovery (FA393361-WA799999)

Braking Systems
 Brake Actuation
 Master Cylinder & Servo

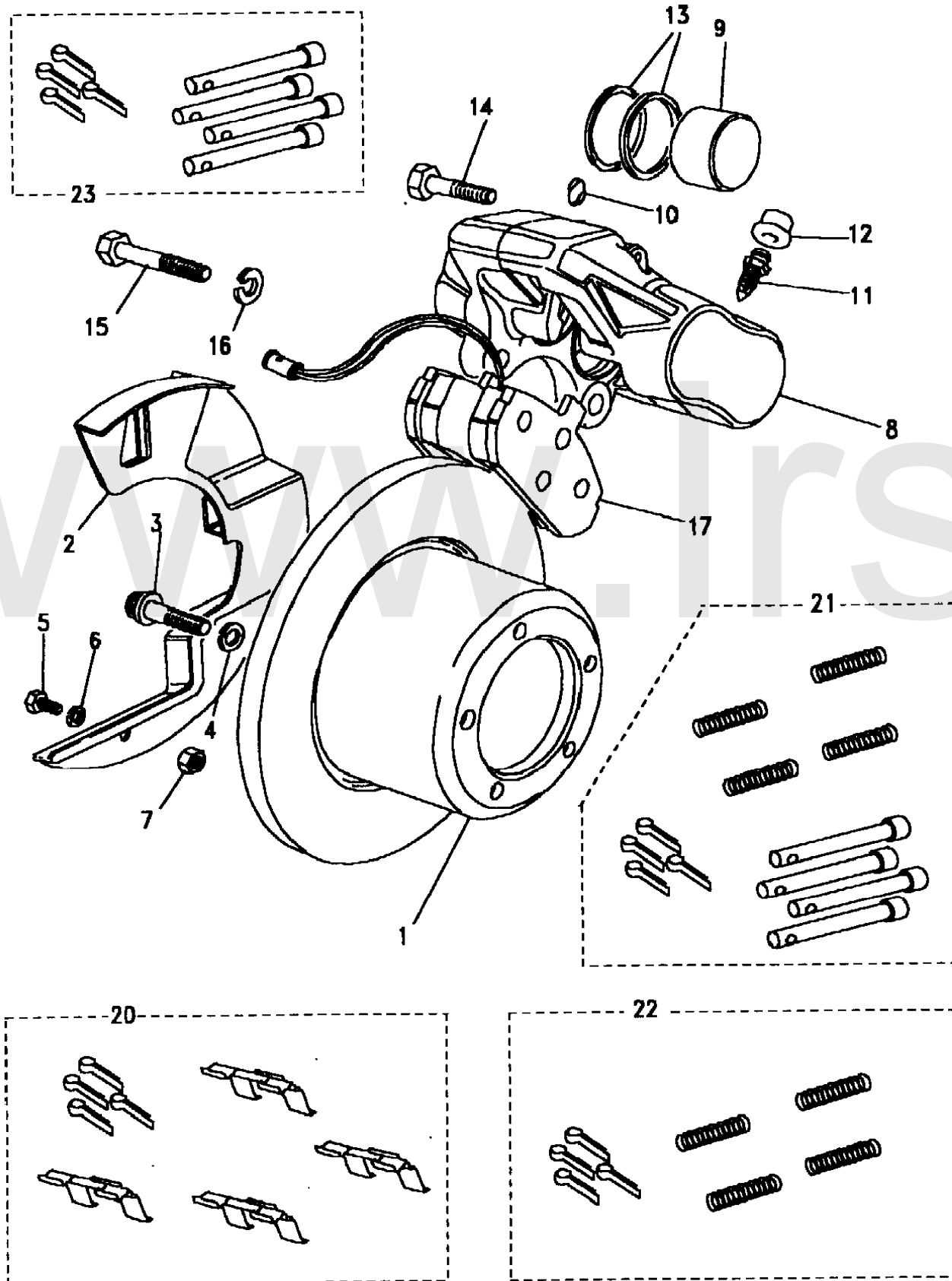
With Servo Assisted Braking System

Callout	Name	Application	Remarks & Restrictions	Service No.	Qty
1	Master cylinder assembly brake	Change point - VIN end LA081991, Less Anti-Lock Braking System Change point - VIN begin MA081992, Less Anti-Lock Braking System All Wheel Anti-Lock Braking System	Also serviced as part of a kit	NTC4991	1
			Also serviced as part of a kit	STC1285	1
			Also serviced as part of a kit	STC1284	1
2	Cap-fluid level warning reservoir indicator	Change point - VIN end LA081991, Less Anti-Lock Braking System	Also serviced as part of a kit	RTC5831	1
3	Kit-repair brake master cylinder	Change point - VIN end LA081991, Less Anti-Lock Braking System Change point - VIN begin MA081992, Less Anti-Lock Braking System All Wheel Anti-Lock Braking System	Also serviced as part of a kit	RTC5834	1
			Also serviced as part of a kit	STC2901	1
			Also serviced as part of a kit	STC2903	1
4	Kit-master cylinder/reservoir & seal brake	Change point - VIN end LA081991, Less Anti-Lock Braking System Change point - VIN begin MA081992, Less Anti-Lock Braking System All Wheel Anti-Lock Braking System	Also serviced as part of a kit	RTC5833	1
			Also serviced as part of a kit	STC2902	1
			Also serviced as part of a kit	STC2904	1
5	Washer	Change point - VIN begin MA081992	master cylinder to servo, 8MM	WA108051L	2
6	Nut - Hex.		master cylinder to servo, M8, nyloc	NY108041L	2
7	Servo assembly brake	Change point - VIN end LA081991 Change point - VIN begin MA081992	Also serviced as part of a kit	NTC4294	1
			Also serviced as part of a kit	STC1286	1
8	Valve-non return brake vacuum	Change point - VIN end LA081991	Also serviced as part of a kit	STC780	1
9	Plug	Change point - VIN end LA081991	Also serviced as part of a kit	90577611	1
10	Kit-repair brake servo	Change point - VIN end LA081991	Also serviced as part of a kit	RTC5832	1
11	Washer-sealing	Change point - VIN begin MA081992	Also serviced as part of a kit	ANR3608	1
12	Spacer			NTC4099	1
13	Washer		8MM	WA108051L	2
14	Nut - Hex.		M8, hexagonal head	NH108041L	2

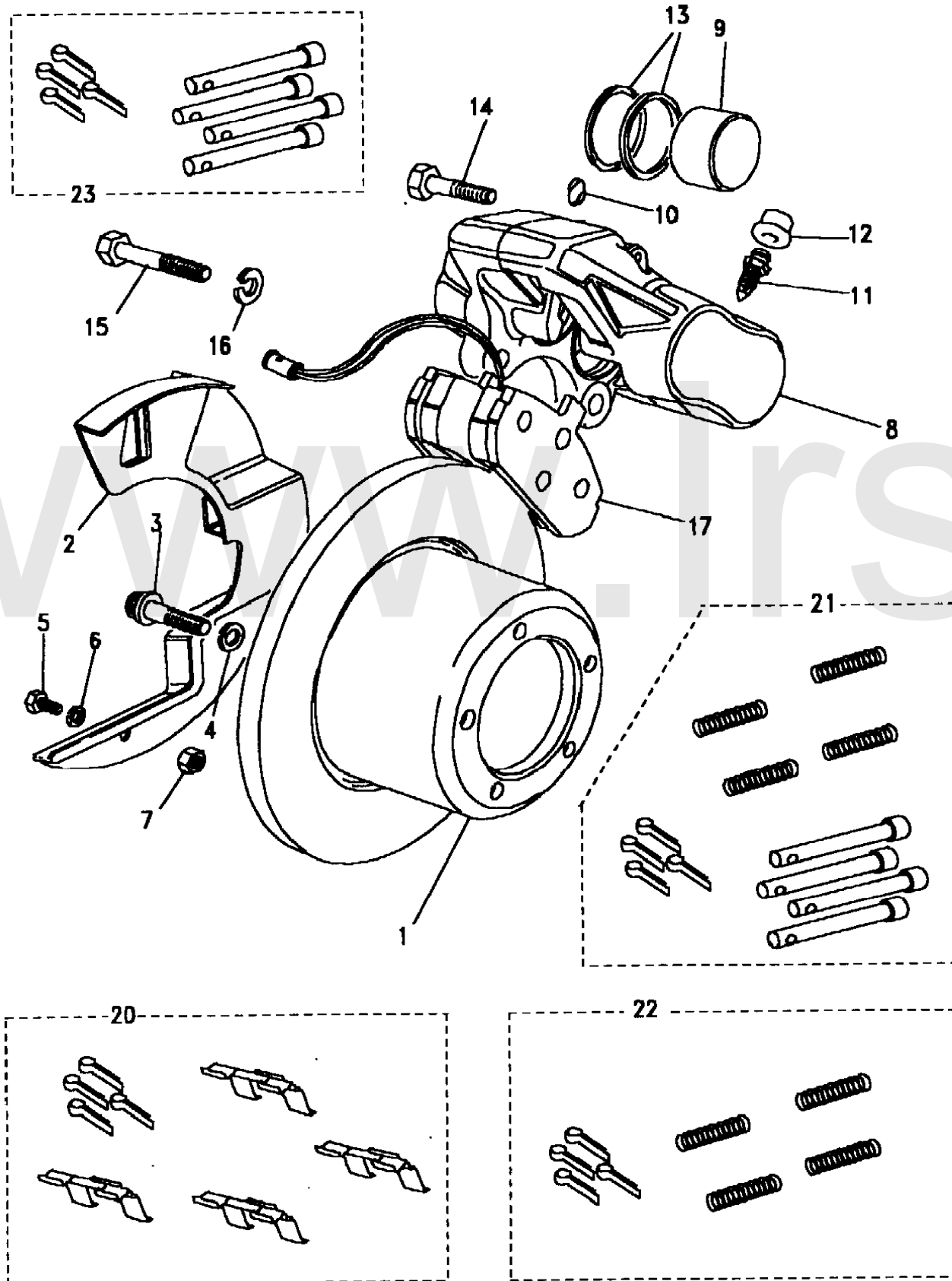




Callout	Name	Application	Remarks & Restrictions	Service No.	Qty
1	Disc-brake.	Disc Brakes Front, Less Ft And Rr Vented Brake Discs	Front	FRC7329	2
		Disc Brakes Front, With Front Vented Brake Discs	Front	FTC902	2
2	Shield-disc front brake		RH	577176	1
			RH	FTC4838	1
			LH	577177	1
			LH	FTC4839	1
3	Bolt		M10	AFU1180	10
			M10	FTC1368	10
4	Washer		3/8", Square	WM600061L	10
5	Screw		(-) MPI	255204	2
		MPI	Shouldered, hexagonal head, M12 x 50	SH112505	2
6	Washer-Spring		1/4 dia, Square	WM600041L	2
7	Nut - Hex.		hexagonal head, 3/8UNF M12	NH606041L NT112041L	2 2
8	Caliper assembly-front brake	Change point - Axle begin 38L00001B, Change point - Axle end 38L03120B, Disc Brakes Front, With Front Vented Brake Discs	RH, Caliper Seals Are Not A Servicable Item - Replace Caliper, vented	RTC6776	1
		Change point - Axle begin 39L00001B, Change point - Axle end 39L05552B, Disc Brakes Front, With Front Vented Brake Discs	RH, Caliper Seals Are Not A Servicable Item - Replace Caliper, vented	RTC6776	1
		Change point - Axle begin 42L00001B, Change point - Axle end 42L00521B, Disc Brakes Front, With Front Vented Brake Discs	RH, Caliper Seals Are Not A Servicable Item - Replace Caliper, vented	RTC6776	1
		Change point - Axle begin 43L00001B, Change point - Axle end 43L18579B, Disc Brakes Front, With Front Vented Brake Discs	RH, Caliper Seals Are Not A Servicable Item - Replace Caliper, vented	RTC6776	1
		Change point - VIN end KA034313	RH, Caliper Seals Are Not A Servicable Item - Replace Caliper, Solid	AEU1718	1
		Change point - VIN end KA034313	LH, Caliper Seals Are Not A Servicable Item - Replace Caliper, Solid	AEU1719	1
		Change point - Axle begin 38L00001B, Change point - Axle end 38L03120B, Disc Brakes Front, With Front Vented Brake Discs	Caliper Seals Are Not A Servicable Item - Replace Caliper, vented, LH	RTC6777	1
		Change point - Axle begin 39L00001B, Change point - Axle end 39L05552B, Disc Brakes Front, With Front Vented Brake Discs	Caliper Seals Are Not A Servicable Item - Replace Caliper, vented, LH	RTC6777	1



Callout	Name	Application	Remarks & Restrictions	Service No.	Qty		
8	Caliper assembly-front brake	Change point - Axle begin 42L00001B, Change point - Axle end 42L00521B, Disc Brakes Front, With Front Vented Brake Discs	Caliper Seals Are Not A Servicable Item - Replace Caliper, vented, LH	RTC6777	1		
		Change point - Axle begin 43L00001B, Change point - Axle end 43L18579B, Disc Brakes Front, With Front Vented Brake Discs	Caliper Seals Are Not A Servicable Item - Replace Caliper, vented, LH	RTC6777	1		
		Change point - Axle begin 38L03121B, Change point - VIN end LA081991, Disc Brakes Front, Less Ft And Rr Vented Brake Discs	Caliper Seals Are Not A Servicable Item - Replace Caliper, RH, Solid	STC1258	1		
		Change point - Axle begin 39L05553B, Change point - VIN end LA081991, Disc Brakes Front, Less Ft And Rr Vented Brake Discs	Caliper Seals Are Not A Servicable Item - Replace Caliper, RH, Solid	STC1258	1		
		Change point - Axle begin 42L00522B, Change point - VIN end LA081991, Disc Brakes Front, Less Ft And Rr Vented Brake Discs	Caliper Seals Are Not A Servicable Item - Replace Caliper, RH, Solid	STC1258	1		
		Change point - Axle begin 43L18580B, Change point - VIN end LA081991, Disc Brakes Front, Less Ft And Rr Vented Brake Discs	Caliper Seals Are Not A Servicable Item - Replace Caliper, RH, Solid	STC1258	1		
		Change point - Axle begin 38L03121B, Change point - VIN end LA081991, Disc Brakes Front, Less Ft And Rr Vented Brake Discs	Caliper Seals Are Not A Servicable Item - Replace Caliper, Solid, LH	STC1259	1		
		Change point - Axle begin 39L05553B, Change point - VIN end LA081991, Disc Brakes Front, Less Ft And Rr Vented Brake Discs	Caliper Seals Are Not A Servicable Item - Replace Caliper, Solid, LH	STC1259	1		
		Change point - Axle begin 42L00522B, Change point - VIN end LA081991, Disc Brakes Front, Less Ft And Rr Vented Brake Discs	Caliper Seals Are Not A Servicable Item - Replace Caliper, Solid, LH	STC1259	1		
		Change point - Axle begin 43L18580B, Change point - VIN end LA081991, Disc Brakes Front, Less Ft And Rr Vented Brake Discs	Caliper Seals Are Not A Servicable Item - Replace Caliper, Solid, LH	STC1259	1		
		Change point - VIN begin MA081992, Disc Brakes Front, Less Ft And Rr Vented Brake Discs	Caliper Seals Are Not A Servicable Item - Replace Caliper, RH, Solid	STC1962	1		
		Change point - VIN begin MA081992, Disc Brakes Front, Less Ft And Rr Vented Brake Discs	Caliper Seals Are Not A Servicable Item - Replace Caliper, Solid, LH	STC1963	1		
		9	Piston front caliper	Disc Brakes Front, Less Ft And Rr Vented Brake Discs	Caliper Seals Are Not A Servicable Item - Replace Caliper	606683	8

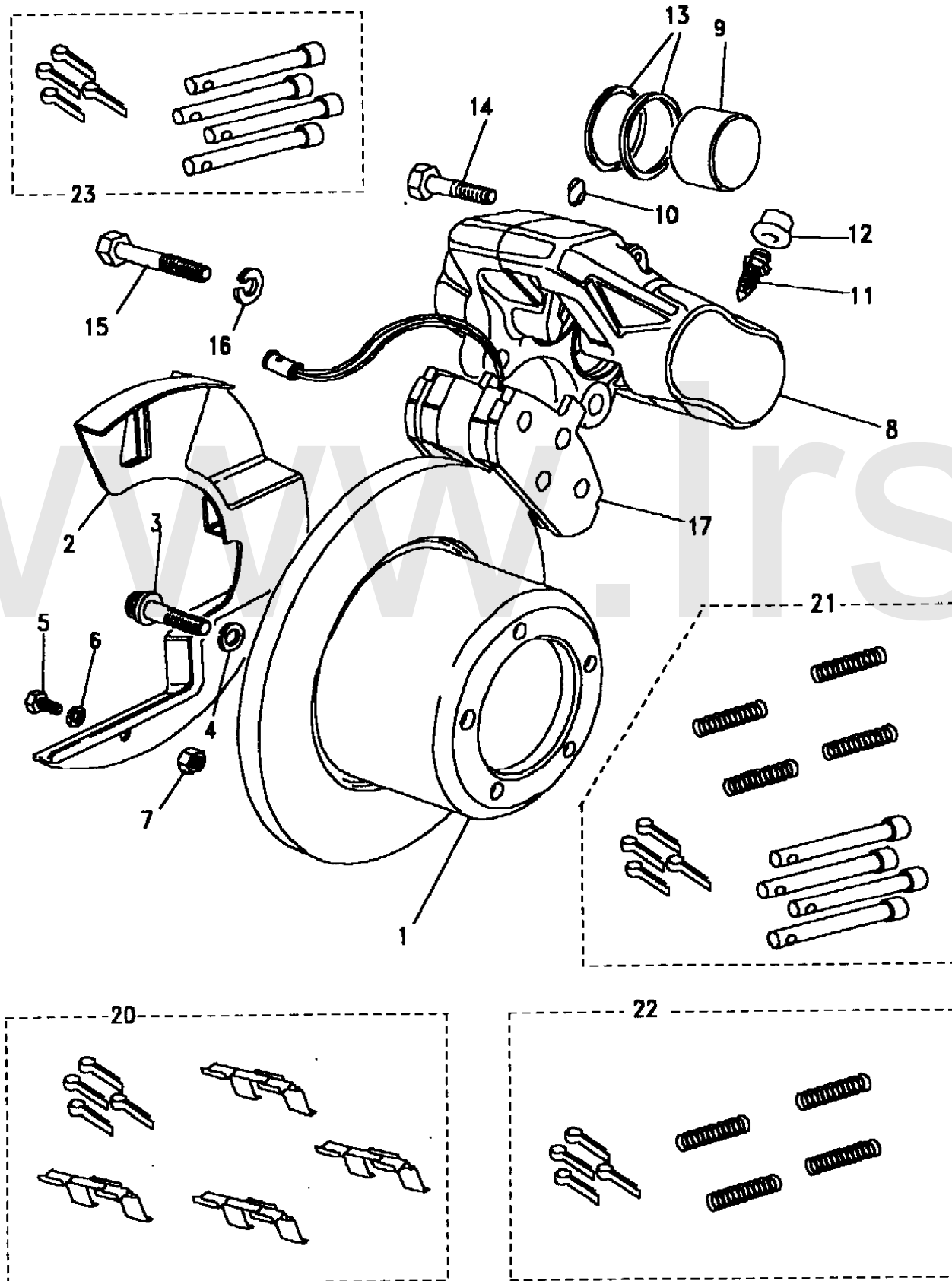


Callout	Name	Application	Remarks & Restrictions	Service No.	Qty
10	Seal	Change point - VIN end KA034313, Disc Brakes Front, Less Ft And Rr Vented Brake Discs	Caliper Seals Are Not A Servicable Item - Replace Caliper	17H8764L	4
11	Screw-bleed brake	Change point - VIN end KA034313, Disc Brakes Front, Less Ft And Rr Vented Brake Discs	Caliper Seals Are Not A Servicable Item - Replace Caliper	RTC1526	6
12	Cap-protective	Change point - VIN end KA034313, Disc Brakes Front, Less Ft And Rr Vented Brake Discs	Caliper Seals Are Not A Servicable Item - Replace Caliper	594091	6
13	Kit-brake caliper piston seal	Change point - VIN end KA034313, Disc Brakes Front, Less Ft And Rr Vented Brake Discs	Caliper Seals Are Not A Servicable Item - Replace Caliper	AEU1547	4
14	Bolt	Change point - VIN end KA034313, Disc Brakes Front, Less Ft And Rr Vented Brake Discs	Caliper Seals Are Not A Servicable Item - Replace Caliper	RTC1136	8
15	Bolt	Change point - Axle end 39L05552B, Disc Brakes Front, Less Ft And Rr Vented Brake Discs	caliper fixing, 7/16", UNF	571910	4
		Change point - Axle end 43L18579B, Disc Brakes Front, Less Ft And Rr Vented Brake Discs	caliper fixing, 7/16", UNF	571910	4
		Change point - Axle end 42L00521B, Disc Brakes Front, Less Ft And Rr Vented Brake Discs	caliper fixing, 7/16", UNF	571910	4
		Change point - Axle end 38L03120B, Disc Brakes Front, Less Ft And Rr Vented Brake Discs	caliper fixing, 7/16", UNF	571910	4
		Change point - Axle begin 38L03121B, Disc Brakes Front, With Front Vented Brake Discs	caliper fixing, M12 x 35	FTC3375	4
		Change point - Axle begin 39L05553B, Disc Brakes Front, With Front Vented Brake Discs	caliper fixing, M12 x 35	FTC3375	4
		Change point - Axle begin 42L00522B, Disc Brakes Front, With Front Vented Brake Discs	caliper fixing, M12 x 35	FTC3375	4
		Change point - Axle begin 43L18580B, Disc Brakes Front, With Front Vented Brake Discs	caliper fixing, M12 x 35	FTC3375	4
16	Washer		7/16", sprung	WM600071L	4

Braking Systems
Front & Rear
Front Disc Brakes 4/6

Discovery (FA393361-WA799999)

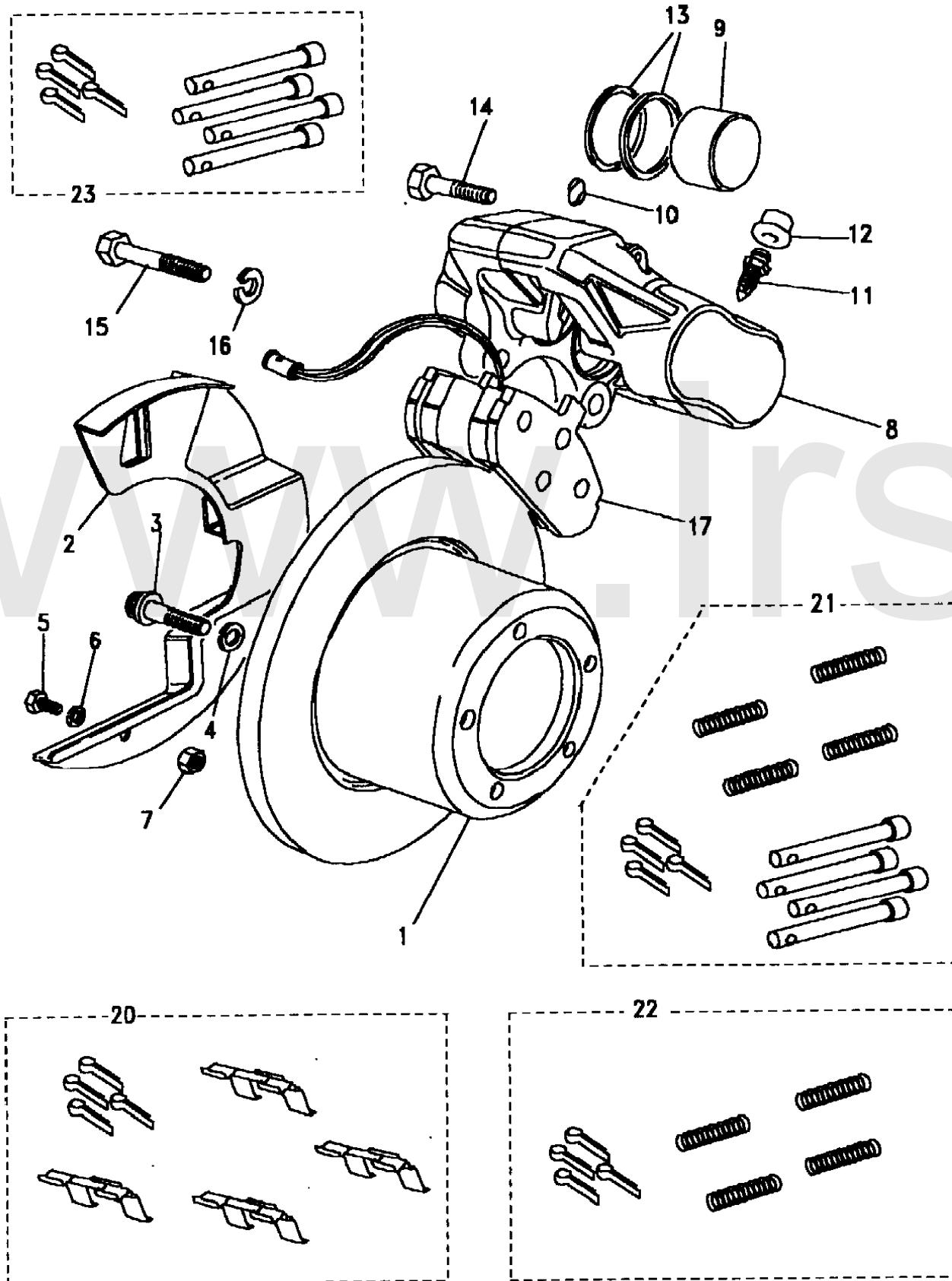
(CAHXGA1A)



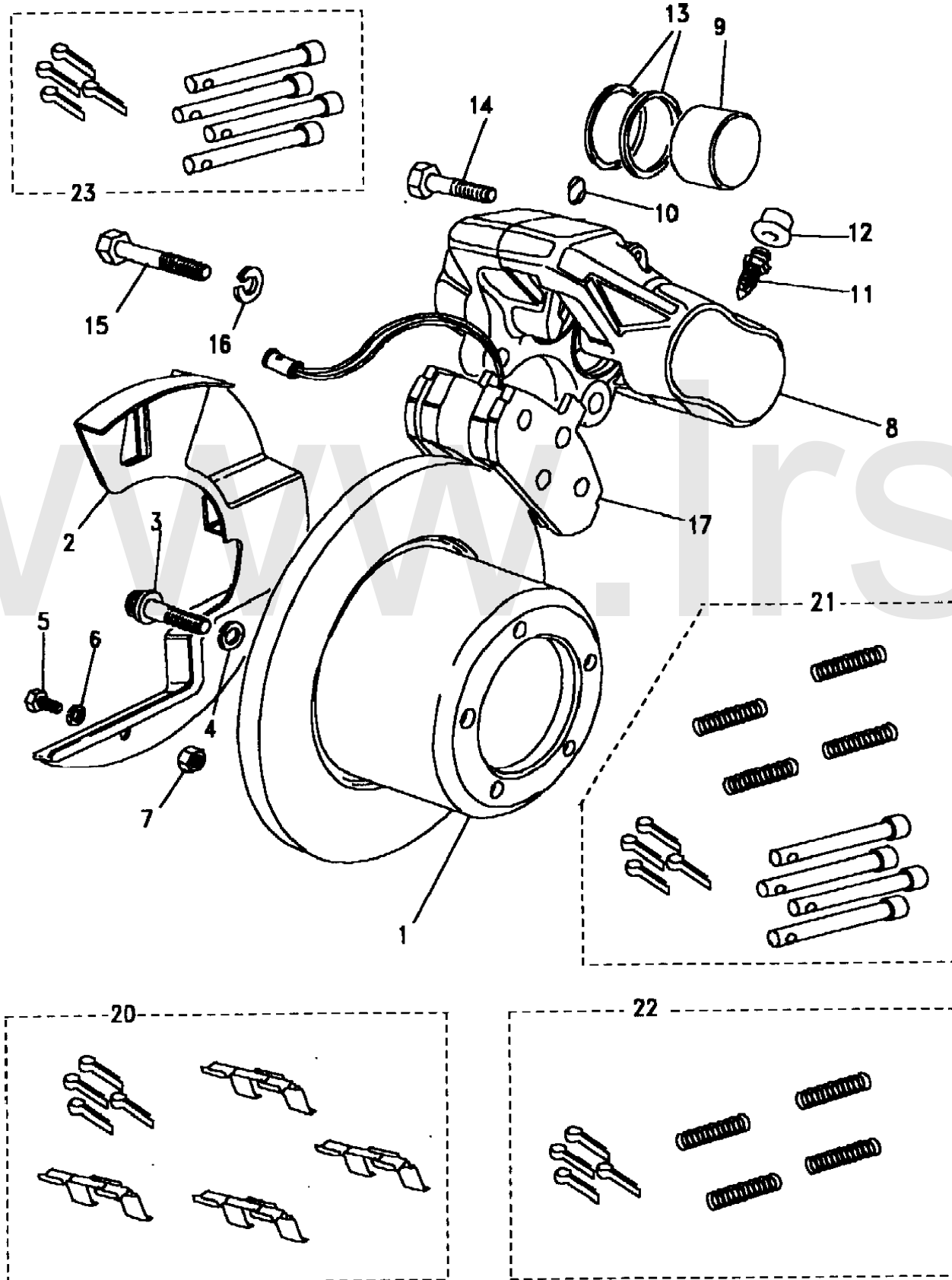
Discovery (FA393361-WA799999)

Braking Systems
Front & Rear
Front Disc Brakes

Callout	Name	Application	Remarks & Restrictions	Service No.	Qty
17	Set-pad front brake system	Change point - VIN end KA034313, Disc Brakes Front, Less Ft And Rr Vented Brake Discs Change point - Axle begin 38L00001B, Change point - Axle end 38L03120B, Disc Brakes Front, With Front Vented Brake Discs Change point - Axle begin 39L00001B, Change point - Axle end 39L05552B, Disc Brakes Front, With Front Vented Brake Discs Change point - Axle begin 42L00001B, Change point - Axle end 42L00521B, Disc Brakes Front, With Front Vented Brake Discs Change point - Axle begin 43L00001B, Change point - Axle end 43L18579B, Disc Brakes Front, With Front Vented Brake Discs Change point - Axle begin 38L03121B, Change point - Axle end 38L99999B, Disc Brakes Front, Less Ft And Rr Vented Brake Discs Change point - Axle begin 39L05553B, Change point - Axle end 39L99999B, Disc Brakes Front, Less Ft And Rr Vented Brake Discs Change point - Axle begin 42L00522B, Change point - Axle end 42L99999B, Disc Brakes Front, Less Ft And Rr Vented Brake Discs Change point - Axle begin 43L18580B, Change point - Axle end 43L99999B, Disc Brakes Front, Less Ft And Rr Vented Brake Discs Change point - VIN begin MA081992, Disc Brakes Front, Less Ft And Rr Vented Brake Discs	Asbestos Free, vented Asbestos Free, vented Asbestos Free, vented Asbestos Free, vented Asbestos Free, vented Asbestos Free, Solid Asbestos Free, Solid Asbestos Free, Solid Asbestos Free, Solid Asbestos Free, Solid	STC8568 STC8571 STC8571 STC8571 STC8571 STC8572 STC8572 STC8572 STC8572 STC8572	1 1 1 1 1 1 1 1 1 1 1
20	Kit-brake pad retaining	Change point - VIN end KA0343313, Disc Brakes Front, Less Ft And Rr Vented Brake Discs	Front, Solid, NLA - Supplied With Pad Set	STC8573	1
21	Kit-brake pad retaining	Change point - Axle begin 38L00001B, Change point - Axle end 38L03120B, Disc Brakes Front, With Front Vented Brake Discs	Front	STC8575	1



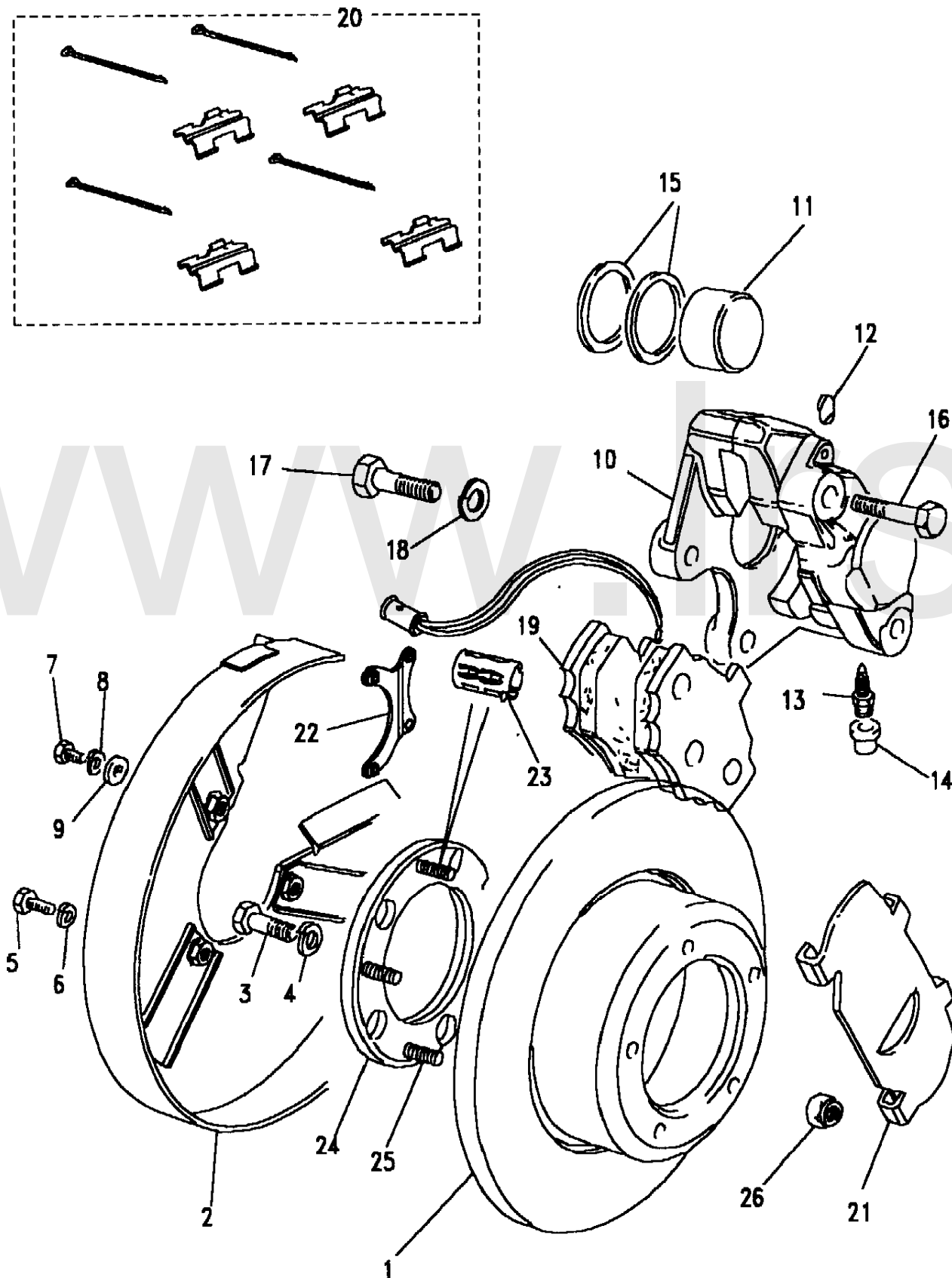
Callout	Name	Application	Remarks & Restrictions	Service No.	Qty
21	Kit-brake pad retaining	Change point - Axle begin 39L00001B, Change point - Axle end 39L05552B, Disc Brakes Front, With Front Vented Brake Discs	Front	STC8575	1
		Change point - Axle begin 42L00001B, Change point - Axle end 42L00521B, Disc Brakes Front, With Front Vented Brake Discs	Front	STC8575	1
		Change point - Axle begin 43L00001B, Change point - Axle end 43L18579B, Disc Brakes Front, With Front Vented Brake Discs	Front	STC8575	1
22	Kit-brake pad retaining	Change point - Axle begin 38L03121B, Change point - Axle end 38L99999B, Disc Brakes Front, Less Ft And Rr Vented Brake Discs	Front, Solid	STC8576	1
		Change point - Axle begin 39L05553B, Change point - Axle end 39L99999B, Disc Brakes Front, Less Ft And Rr Vented Brake Discs	Front, Solid	STC8576	1
		Change point - Axle begin 42L00522B, Change point - Axle end 42L99999B, Disc Brakes Front, Less Ft And Rr Vented Brake Discs	Front, Solid	STC8576	1
		Change point - Axle begin 43L18580B, Change point - Axle end 43L99999B, Disc Brakes Front, Less Ft And Rr Vented Brake Discs	Front, Solid	STC8576	1
		Change point - VIN begin MA081992, Disc Brakes Front, Less Ft And Rr Vented Brake Discs	Front, Solid	STC8576	1
23	Kit-brake pad retaining	Change point - Axle begin 38L03121B, Change point - Axle end 38L99999B, Disc Brakes Front, Less Ft And Rr Vented Brake Discs	Front, Solid	RTC5001	1
		Change point - Axle begin 39L05553B, Change point - Axle end 39L99999B, Disc Brakes Front, Less Ft And Rr Vented Brake Discs	Front, Solid	RTC5001	1
		Change point - Axle begin 42L00522B, Change point - Axle end 42L99999B, Disc Brakes Front, Less Ft And Rr Vented Brake Discs	Front, Solid	RTC5001	1



Callout	Name	Application	Remarks & Restrictions	Service No.	Qty
23	Kit-brake pad retaining	Change point - Axle begin 43L 18580B, Change point - Axle end 43L99999B, Disc Brakes Front, Less Ft And Rr Vented Brake Discs	Front, Solid	RTC5001	1
		Change point - VIN begin MA081992, Disc Brakes Front, Less Ft And Rr Vented Brake Discs	Front, Solid	RTC5001	1
[901]	Kit-brake piston seal	Change point - VIN end KA034313, Disc Brakes Front, Less Ft And Rr Vented Brake Discs	Caliper Seals Are Not A Servicable Item - Replace Caliper, Also serviced as part of a kit, Front	STC1278	2

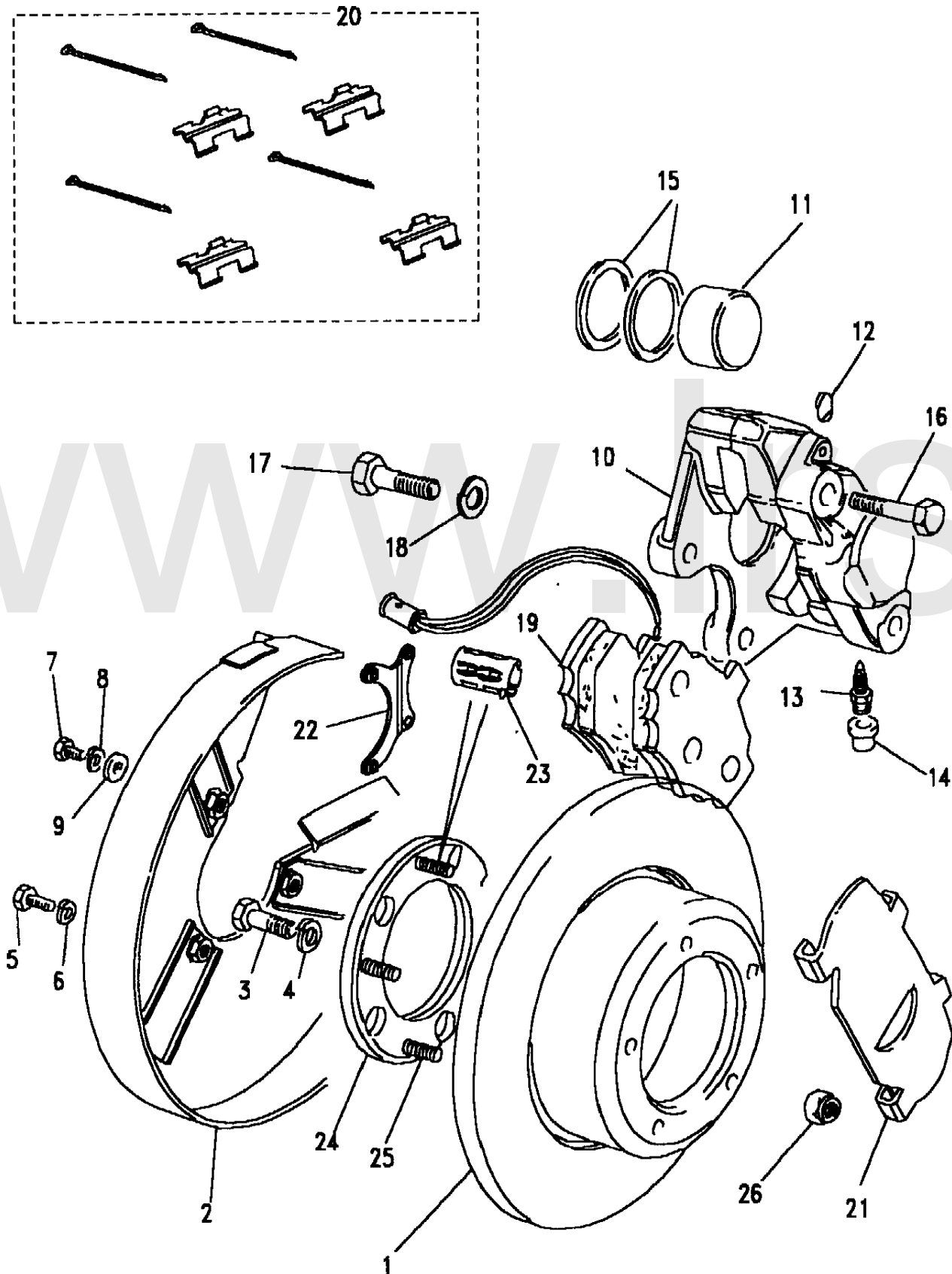
www.irservice.ru

With 4 Wheel Disc-Brake, Less Anti-Lock Braking System, Less Ft And Rr Vented Brake Discs



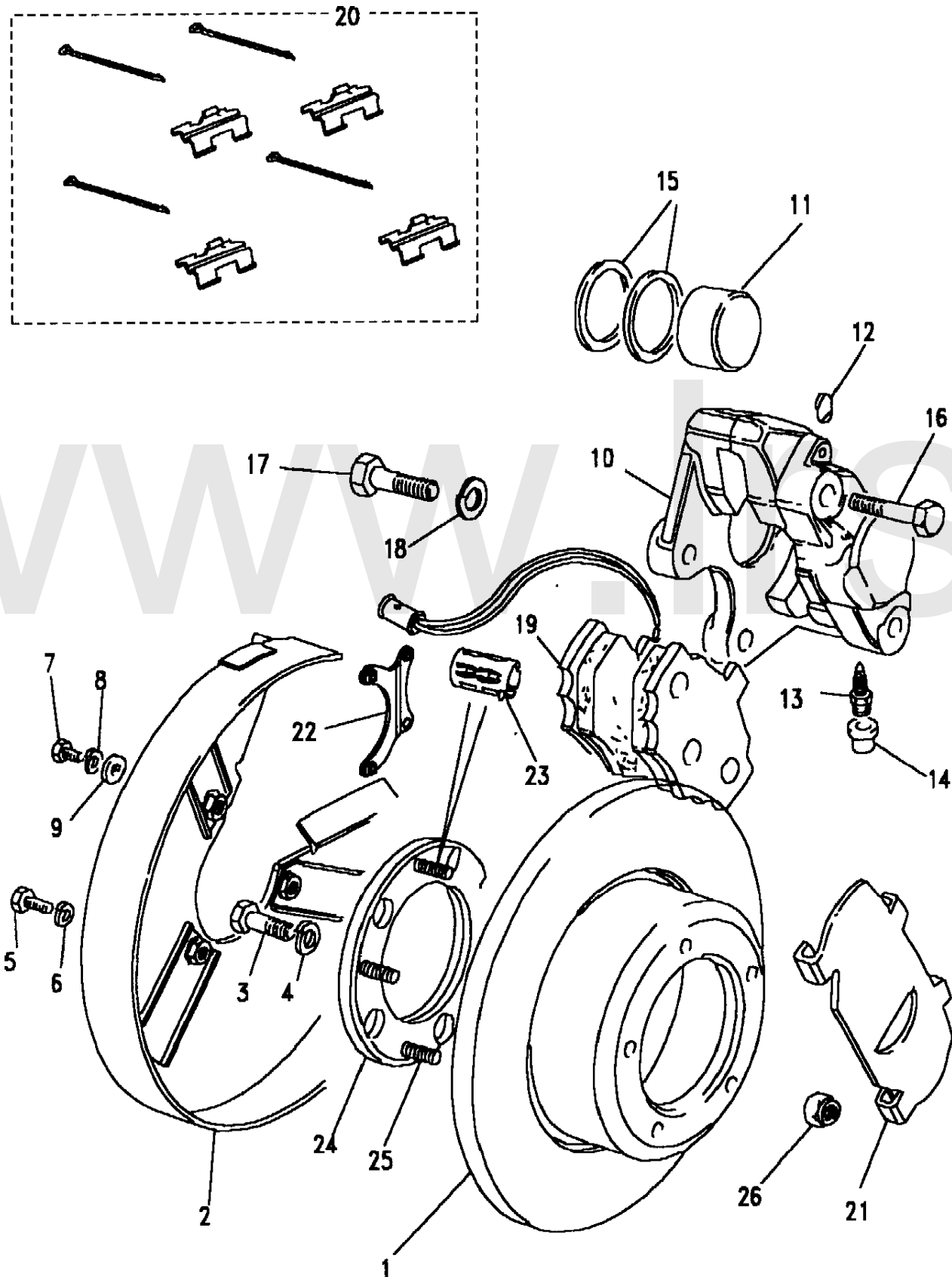
Callout	Name	Application	Remarks & Restrictions	Service No.	Qty		
1	Disc-solid brake		Rear	FTC1381	1		
2	Shield-disc rear brake	Change point - Axle end 32S2118B	RH	FTC2600	1		
		Change point - Axle end 28S44171D	RH	FTC2600	1		
		Change point - Axle end 32S2118B	LH	FTC2601	1		
		Change point - Axle end 28S44171D	LH	FTC2601	1		
		Change point - Axle begin 28S44172D	RH	FTC3320	1		
		Change point - Axle begin 32S2119B	RH	FTC3320	1		
		Change point - Axle begin 28S44172D	LH	FTC3321	1		
		Change point - Axle begin 32S2119B	LH	FTC3321	1		
		3	Bolt	M10		AFU1180	10
				M10		FTC1368	10
4	Washer		3/8", Square	WM600061L	10		
5	Screw		1/4UNF x 3/4	255207	2		
6	Washer-Spring		1/4 dia, Square	WM600041L	2		
7	Screw		hexagonal head, 1/4UNF x 7/8	SH604071L	8		
8	Washer		M6, sprung	WL106001L	8		
9	Washer		6MM	WA106041L	8		
10	Caliper assembly-rear brake	Change point - Axle end 32S2118B	RH	RTC5889	1		
		Change point - Axle end 28S44171D	RH	RTC5889	1		
		Change point - Axle end 32S2118B	LH	RTC5890	1		
		Change point - Axle end 28S44171D	LH	RTC5890	1		
		Change point - Axle begin 28S44172D	RH	STC1264	1		
		Change point - Axle begin 32S2119B	RH	STC1264	1		
		Change point - Axle begin 28S44172D	LH	STC1265	1		
		Change point - Axle begin 32S2119B	LH	STC1265	1		
		11	Piston-rear caliper brake	Change point - Axle end 32S2118B		606696	4
				Change point - Axle end 28S44171D		606696	4

With 4 Wheel Disc-Brake, Less Anti-Lock Braking System, Less Ft And Rr Vented Brake Discs



Callout	Name	Application	Remarks & Restrictions	Service No.	Qty
12	Seal	Change point - Axle end 32S2118B	Also serviced as part of a kit	RTC1137	2
		Change point - Axle end 28S44171D	Also serviced as part of a kit	RTC1137	2
13	Screw-bleed brake	Change point - Axle end 32S2118B	Also serviced as part of a kit	RTC1526	2
		Change point - Axle end 28S44171D	Also serviced as part of a kit	RTC1526	2
14	Cap-protective	Change point - Axle end 32S2118B	Also serviced as part of a kit	594091	2
		Change point - Axle end 28S44171D	Also serviced as part of a kit	594091	2
15	Kit-brake caliper piston seal	Change point - Axle end 32S2118B	Also serviced as part of a kit	AEU1547	2
		Change point - Axle end 28S44171D	Also serviced as part of a kit	AEU1547	2
16	Bolt	Change point - Axle end 32S2118B	Also serviced as part of a kit	27H4353L	2
		Change point - Axle end 28S44171D	Also serviced as part of a kit	27H4353L	2
17	Bolt	Change point - Axle end 32S2118B	caliper fixing, 7/16", UNF	591065	4
		Change point - Axle end 28S44171D	caliper fixing, 7/16", UNF	591065	4
		Change point - Axle begin 28S44172D	caliper fixing, M12 x 35	FTC3375	4
		Change point - Axle begin 32S2119B	caliper fixing, M12 x 35	FTC3375	4
18	Washer		7/16", sprung	WM600071L	4
19	Set-pad rear brake system		with sensor	STC8570	1
			less sensor	STC8569	1
			less sensor	STC9188	1
20	Kit-brake pad retaining		Use With STC8569 And STC8570, Rear	STC8574	1
21	Shim		inner RH, outer LH	591628	2
			Not Required With STC8569 And STC8570, inner LH, outer RH	591629	2
22	Bracket-shield rear brake	Change point - Axle begin 28S44172D		FTC3299	2
		Change point - Axle begin 32S29119B		FTC3299	2
		Change point - Axle begin 28S44172D		FTC3299	2
		Change point - Axle begin 32S2119B		FTC3299	2

With 4 Wheel Disc-Brake, Less Anti-Lock Braking System, Less Ft And Rr Vented Brake Discs



Callout	Name	Application	Remarks & Restrictions	Service No.	Qty
23	Bush		antilock brake system sensor	FTC1374	2
24	Ring-pulsar antilock brakes		Also serviced as part of a kit	FTC1379	2
25	Stud			TD106041	
26	Nut - Hex.		M6, nyloc, flange	NY106041	10
[902]	Piston-rear caliper brake	Change point - Axle end 32S2118B	Also serviced as part of a kit	STC1279	1
		Change point - Axle end 28S44171D	Also serviced as part of a kit	STC1279	1
[903]	Set-pad rear brake system		less sensor	STC9147	1

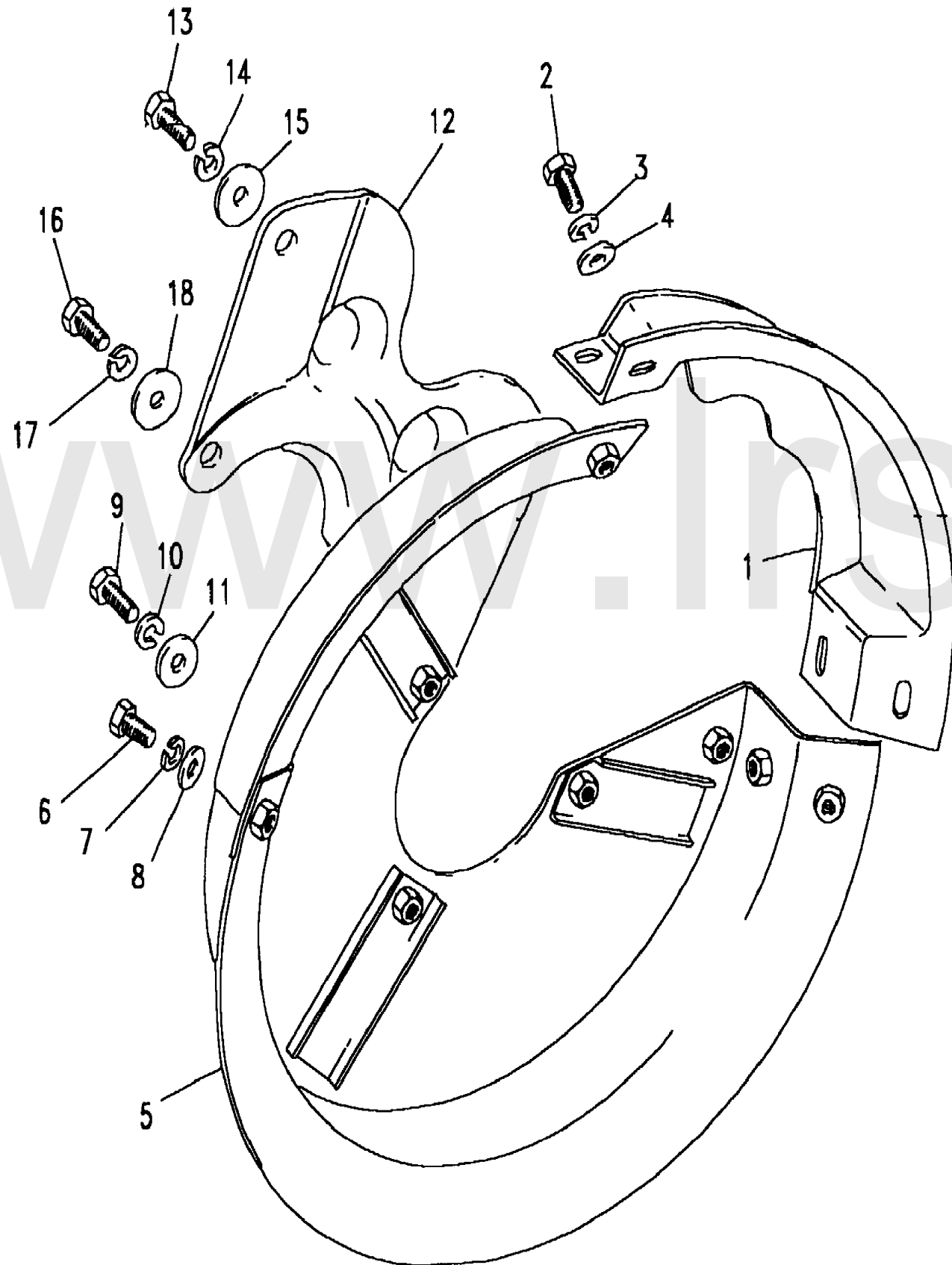
www.service.ru

Braking Systems
Front & Rear
Splash Shield 1/1

Discovery (FA393361-WA799999)
(CAHXKA1A)

Discovery (FA393361-WA799999)

Braking Systems
Front & Rear
Splash Shield

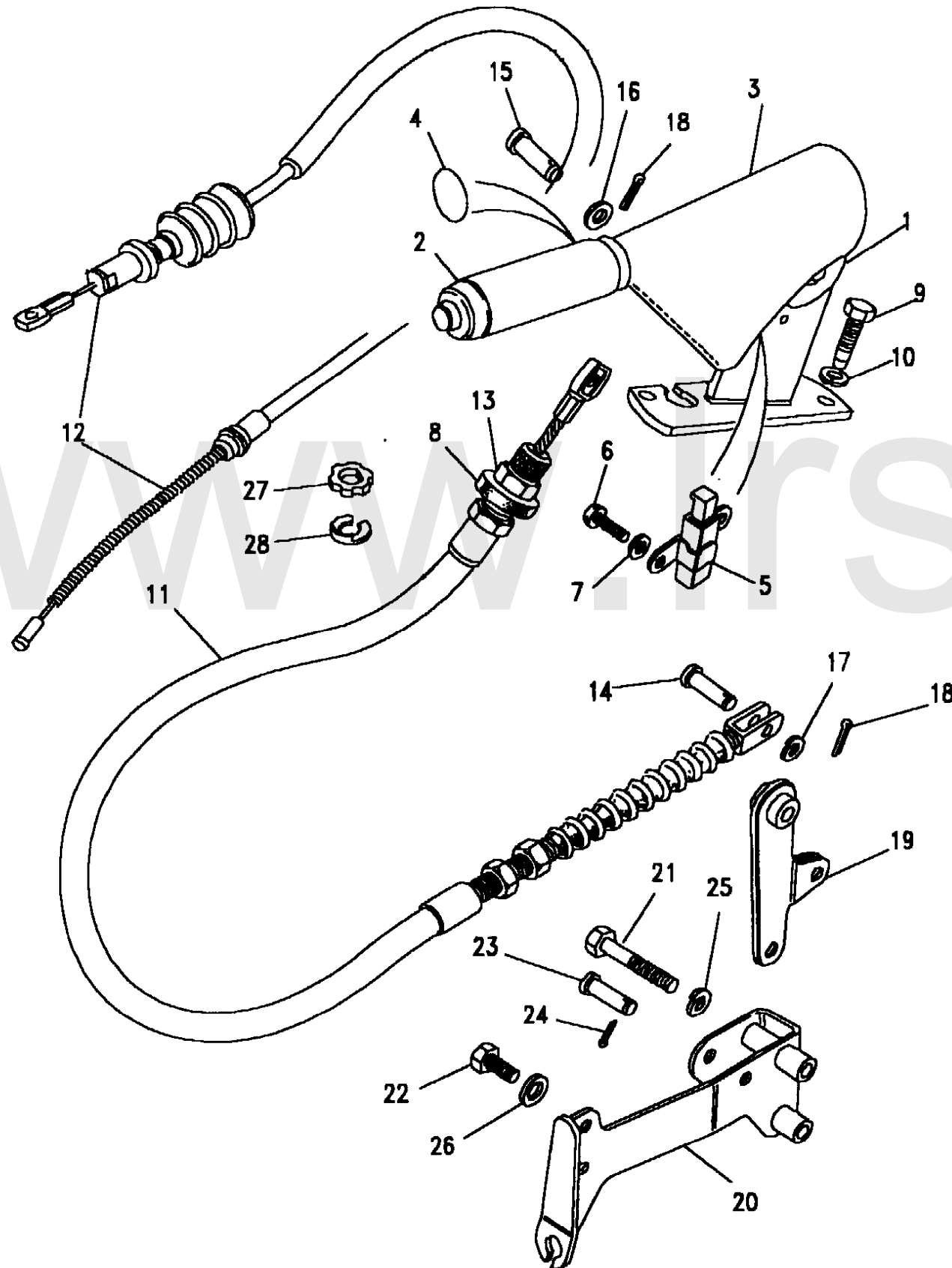


(+)"SF"

Callout	Name	Application	Remarks & Restrictions	Service No.	Qty
1	Cover-caliper brake		RH, top top, LH	NTC3360 NTC3361	1 1
2	Screw		hexagonal head, 1/4UNF x 1/2	SH604047	8
3	Washer-Spring		1/4 dia, Square	WM600041L	8
4	Washer		Standard	3900L	8
5	Shield-disc rear brake		RH LH	624208 90624209	1 1
6	Screw		hexagonal head, 1/4UNF x 1/2	SH604041L	4
7	Washer-Spring		1/4 dia, Square	WM600041L	4
8	Washer		6MM	WA106041L	4
9	Screw		hexagonal head, 1/4UNF x 1/2	SH604047	2
10	Washer-Spring		1/4 dia, Square	WM600041L	2
11	Washer		Standard	3900L	2
12	Cover-caliper brake		RH, Side Side, LH	NRC8416 NRC8417	1 1
13	Screw		hexagonal head, 1/4UNF x 1/2	SH604047	4
14	Washer-Spring		1/4 dia, Square	WM600041L	4
15	Washer-Plain			2215L	4
16	Screw		hexagonal head, 1/4UNF x 3/4	SH604061L	4
17	Washer-Spring		1/4 dia, Square	WM600041L	4
18	Washer-Plain			2215L	4

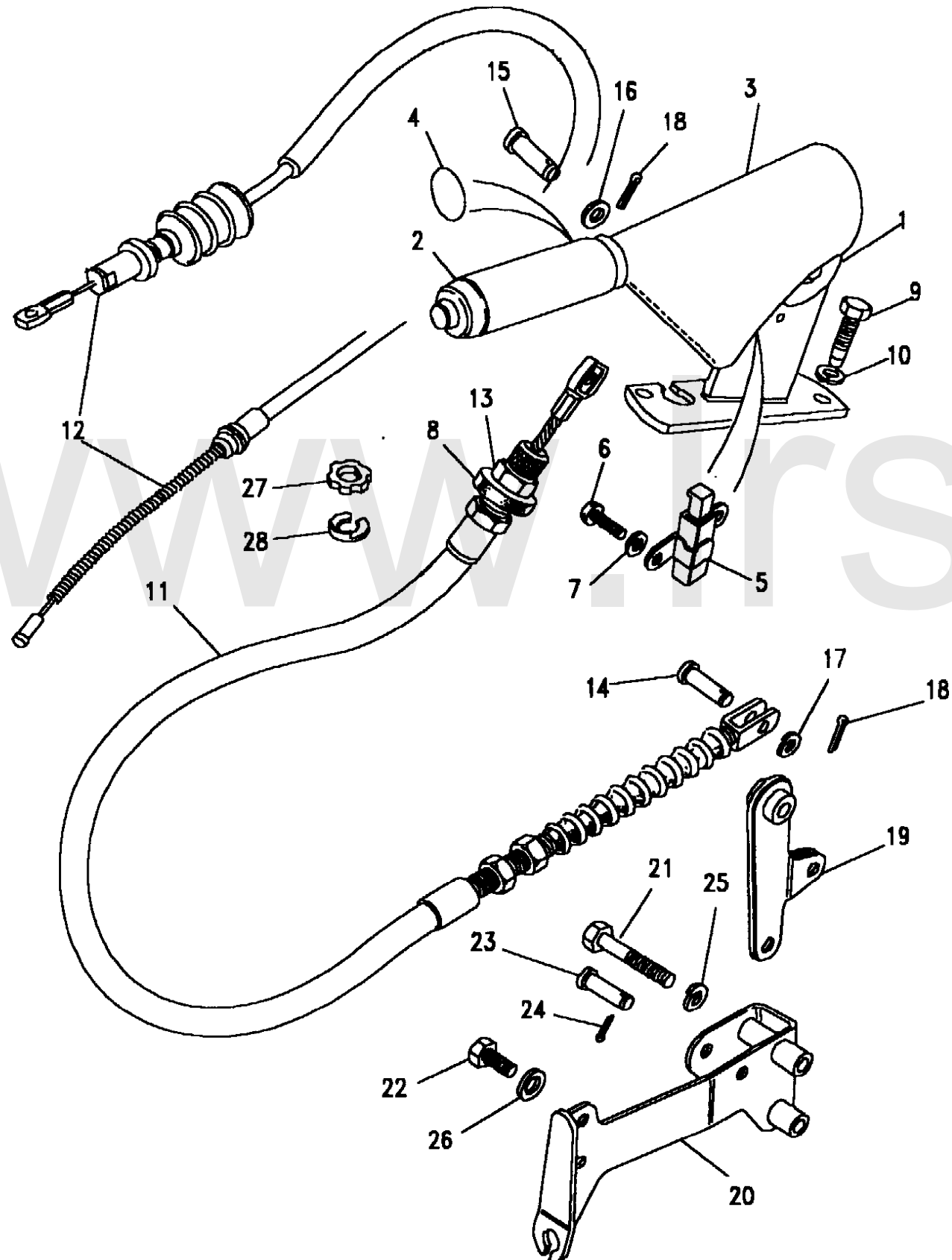
EFI, TDi, Twin Carb

Callout	Name	Application	Remarks & Restrictions	Service No.	Qty		
1	Lever assembly handbrake	Change point - VIN end KA034313	(-) MPI/LTI, Also serviced as part of a kit, Grey	ANR2260LUN	1		
		Change point - VIN begin KA034314, Change point - VIN end KA037912	(-) MPI/LTI, Also serviced as part of a kit, Ash Grey	NTC9399LNF	1		
		Change point - VIN begin KA037913, Change point - VIN end KA063555	(-) MPI/LTI, Also serviced as part of a kit, Ash Grey	ANR2260LNF	1		
		Change point - VIN begin KA063556, Change point - VIN end LA081991	(-) MPI/LTI, Also serviced as part of a kit, Ash Grey	ANR2165LNF	1		
		Change point - VIN begin MA081992, Change point - VIN end VA741829	(-) MPI/LTI, Also serviced as part of a kit, Ash Grey	ANR3243LNF	1		
		Change point - VIN begin VA741830	(-) MPI/LTI, Also serviced as part of a kit, Black	SNB100350PMA	1		
		2	Grip handbrake	Change point - VIN end KA034313	(-) MPI/LTI, Also serviced as part of a kit, Grey	NTC8122LUN	1
				Change point - VIN begin KA034314, Change point - VIN end KA037912	(-) MPI/LTI, Also serviced as part of a kit, Ash Grey	NTC8122LNF	1
Change point - VIN begin MA081992, Change point - VIN end VA741829	(-) MPI/LTI, Also serviced as part of a kit, Ash Grey			NTC8122LNF	1		
3	Gaiter-handbrake	Change point - VIN begin - VIN end VA741829	(-) MPI/LTI, Also serviced as part of a kit, Black	SNE100090PMA	1		
		Change point - VIN end KA034313	(-) MPI/LTI, Also serviced as part of a kit, Grey	MXC7387LUN	1		
		Change point - VIN begin KA034314, Change point - VIN end KA037912	(-) MPI/LTI, Also serviced as part of a kit, Ash Grey	MXC7387LNF	1		
4	Ring-Snap	Change point - VIN begin MA081992, Change point - VIN end VA741829	(-) MPI/LTI, Also serviced as part of a kit, Ash Grey	BTR8835LNF	1		
		Change point - VIN begin VA741830	(-) MPI/LTI, Also serviced as part of a kit, Black	FJL101710PMA	1		
		Change point - VIN end KA034313	(-) MPI/LTI, Also serviced as part of a kit	MXC5333	1		
		Change point - VIN begin KA034314, Change point - VIN end KA037912	(-) MPI/LTI, Also serviced as part of a kit	MXC5333	1		
5	Switch handbrake unit	Change point - VIN begin MA081992, Change point - VIN end VA741829	(-) MPI/LTI, Also serviced as part of a kit	MXC5333	1		
		Change point - VIN end KA035614	(-) MPI/LTI	ADU2888L	1		
6	Screw	Change point - VIN begin KA035615	(-) MPI/LTI	CLP8699L	1		
			(-) MPI/LTI, M8 X 16	SE104161L	2		
7	Washer- shakeproof		(-) MPI/LTI, M4	WE104001L	2		
8	Pad-cable sealing handbrake	Change point - VIN end MA112692	(-) MPI/LTI	NTC1340	1		



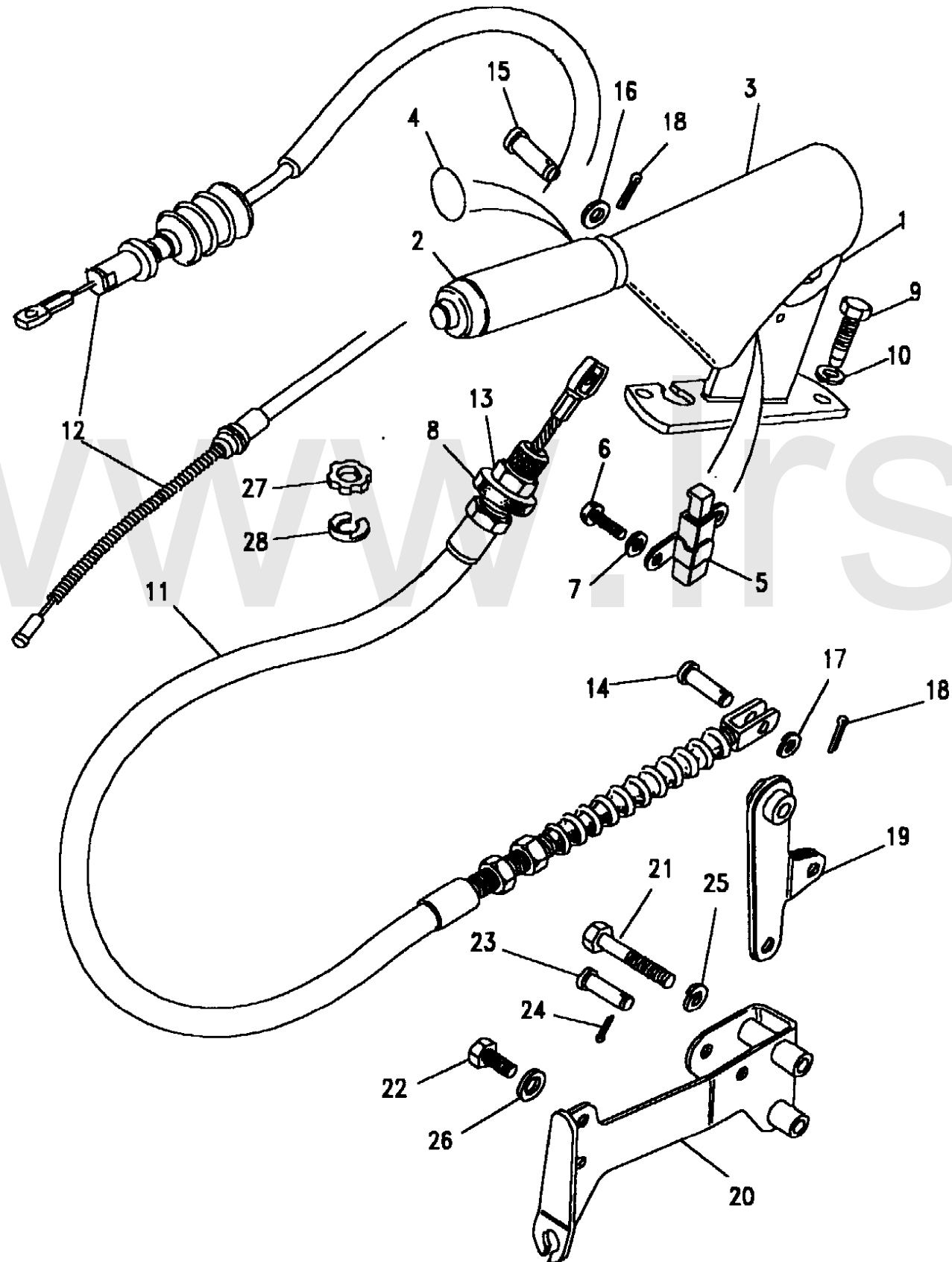
EFI, TDi, Twin Carb

Callout	Name	Application	Remarks & Restrictions	Service No.	Qty
8	Pad-cable sealing handbrake	Change point - VIN begin MA112693	(-) MPI/LTI	ANR3838	1
9	Screw		(-) MPI/LTI	GG108351L	2
10	Washer		(-) MPI/LTI, M8, sprung	WL108001L	2
11	Cable assembly handbrake	Change point - VIN end JA020500 Change point - VIN begin JA020501, Change point - VIN end KA055568 Change point - VIN begin KA055569, Change point - VIN end LA081991	(-) MPI/LTI (-) MPI/LTI (-) MPI/LTI	NTC3414 NTC9400 NTC6125	1 1 1
12	Cable assembly handbrake	Change point - VIN begin MA081992	(-) MPI/LTI	STC1528	1
13	Locknut		(-) MPI/LTI	NTC2796	1
14	Pin-clevis/pivot	Change point - VIN end JA017305 Change point - VIN begin JA017306, Change point - VIN end KA049862 Change point - VIN begin KA048963, Change point - VIN end LA081991 Change point - VIN begin MA081992	(-) MPI/LTI (-) MPI/LTI (-) MPI/LTI (-) MPI/LTI	FRC8547 SYT10004 ANR2734 ANR3593	1 1 1 1
15	Pin-clevis/pivot		(-) MPI/LTI	PC108728L	1
16	Washer		(-) MPI/LTI, 8MM	WA108051L	1
17	Washer		(-) MPI/LTI, M8, sprung	WL108001L	6
18	Pin-split	Change point - VIN end JA017305 Change point - VIN begin JA017306, Change point - VIN end KA049862	(-) MPI/LTI (-) MPI/LTI	FRC8548 EDP7864L	4 4
19	Lever-handbrake cable relay		(-) MPI/LTI	NTC3340	1
20	Bracket-handbrake cable relay lever		(-) MPI/LTI	NTC3341	1
21	Bolt		(-) MPI/LTI, hexagonal head, M8 x 70	BH108141L	2
22	Screw		(-) MPI/LTI, Flanged Head, M8 x 20	FS108201L	2
23	Pin-clevis/pivot		(-) MPI/LTI	PC108728L	1



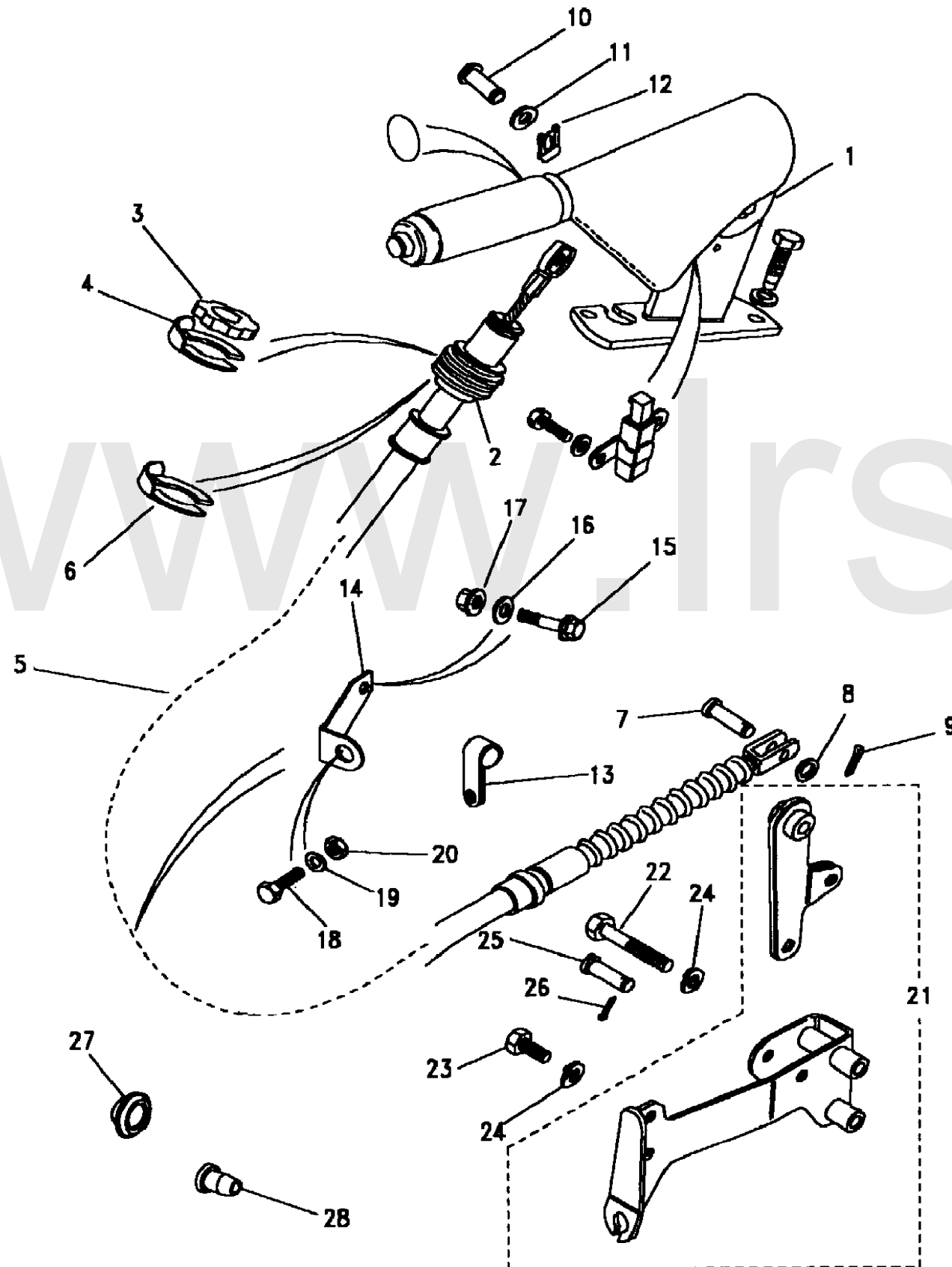
EFI, TDi, Twin Carb

Callout	Name	Application	Remarks & Restrictions	Service No.	Qty
24	Pin-split		(-) MPI/LTI	PS104127L	1
25	Washer		(-) MPI/LTI, M8, sprung	WL108001L	1
26	Washer		M8, sprung	WL108001L	1
27	Knob-handbrake cable adjusting		(-) MPI/LTI	NTC5009	1
28	Clip		(-) MPI/LTI	NTC5147	1
[900]	Sleeve		(-) MPI/LTI, Rubber	STC1418	1



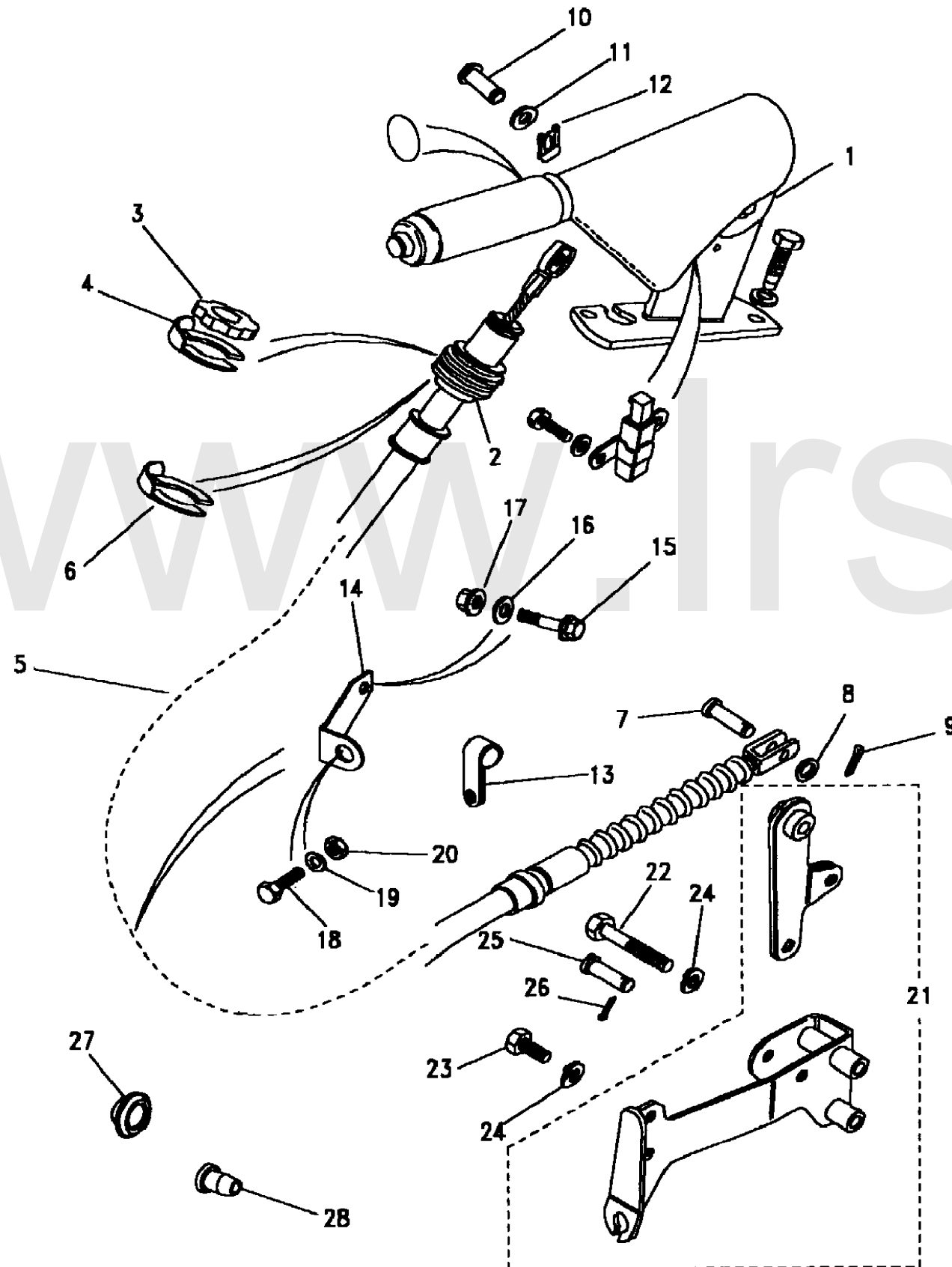
Change point - VIN begin KA038822, MPi

Callout	Name	Application	Remarks & Restrictions	Service No.	Qty
1	Lever assembly handbrake	Change point - VIN begin KA037913, Change point - VIN end KA063555 Change point - VIN begin KA063556, Change point - VIN end LA081991 Change point - VIN begin MA081992	Also serviced as part of a kit, Ash Grey Also serviced as part of a kit, Ash Grey Also serviced as part of a kit, Ash Grey Also serviced as part of a kit, Black	ANR2260LNF ANR2165LNF ANR3243LNF SNB100350PMA	1 1 1 1
2	Seal-handbrake lever/body			NTC5026	2
3	Knob-handbrake cable adjusting			NTC5009	1
4	Clip			NTC5147	1
5	Cable assembly handbrake			NTC6125	1
6	Clip			NTC5147	1
7	Pin-clevis/pivot			PC108321L	1
8	Washer		8MM	WA108051L	1
9	Pin-split			PS104127L	1
10	Pin-clevis/pivot			FRC8547	1
11	Washer-Plain		M8	WB108051L	1
12	Pin-split		safety	FRC8548	1
13	Clip-Pipe		Double	CP108161L	1
14	Bracket-handbrake cable mounting clip			NTC5690	1
15	Screw		M8 X 16, Flanged Head	FS108161L	1
16	Washer		8MM	WA108051L	1
17	Nut - Hex.		M8, flange	FN108041L	1
18	Screw		hexagonal head, M10 x 35	SH110351L	1
19	Washer		M10	WA110061L	1
20	Nut - Hex.		M10, flange M10, flange	FN110041L FN110047	1 1
21	Bracket-handbrake cable relay lever	Change point - VIN end JA055568		STC1157	1



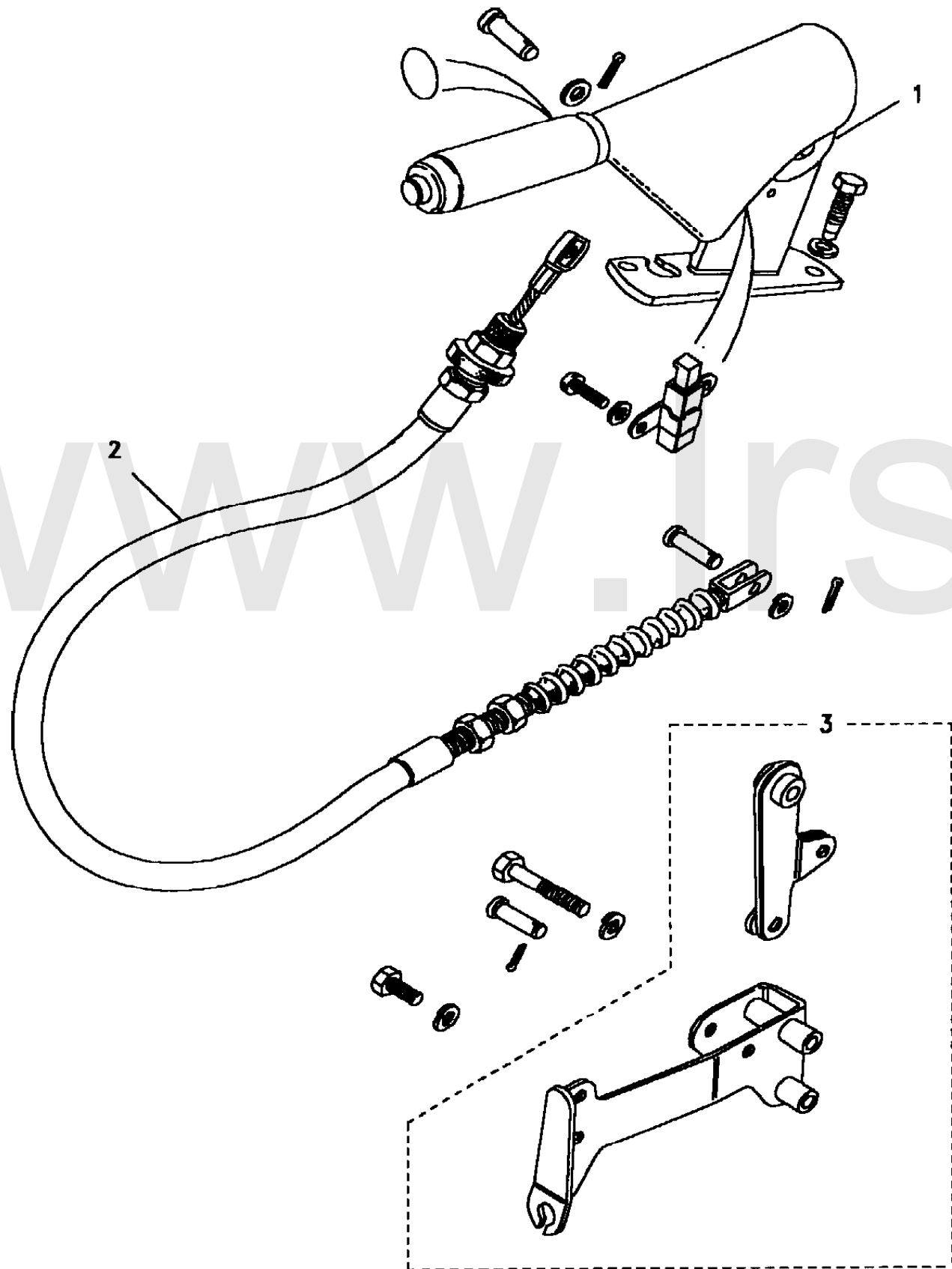
Change point - VIN begin KA038822, MPi

Callout	Name	Application	Remarks & Restrictions	Service No.	Qty
21	Bracket-handbrake cable relay lever	Change point - VIN begin KA055569		ANR2672	1
22	Bolt		Flanged Head, M8 x 70	FB108141L	2
23	Screw		Flanged Head, M8 x 20 Flanged Head, M8 x 20	FS108201L FS108207L	2 2
24	Washer		M8, sprung	WL108001L	4
25	Pin-clevis/pivot			PC108241L	2
26	Pin-split			PS104127L	2
27	Grommet			MUC6384	1
28	Plug			MXC8709	1
[902]	Grip handbrake	Change point - VIN begin KA037913, Change point - VIN end KA063555 Change point - VIN begin MA081992	Also serviced as part of a kit, Ash Grey Also serviced as part of a kit, Ash Grey Also serviced as part of a kit, Black	NTC8122LNF NTC8122LNF SNE100090PMA	1 1 1
[903]	Gaiter-handbrake	Change point - VIN begin KA037913, Change point - VIN end KA063555 Change point - VIN begin MA081992	Also serviced as part of a kit, Ash Grey Also serviced as part of a kit, Ash Grey Also serviced as part of a kit, Black	MXC7387LNF BTR8835LNF FJL101710PMA	1 1 1
[904]	Ring-Snap	Change point - VIN begin KA037913, Change point - VIN end KA063555 Change point - VIN begin MA081992	Also serviced as part of a kit Also serviced as part of a kit	MXC5333 MXC5333	1 1



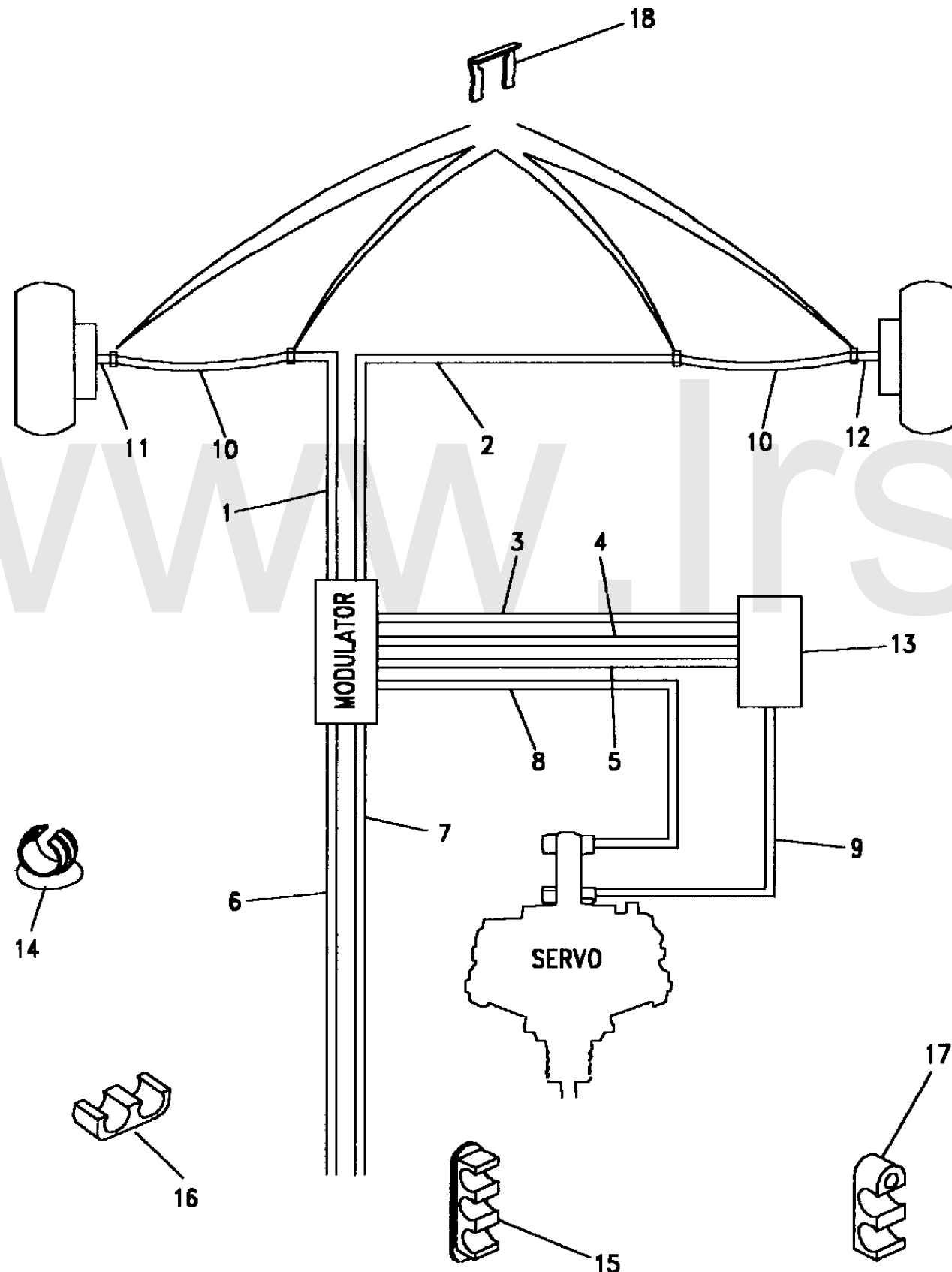
Change point - VIN end KA038821, MPi

Callout	Name	Application	Remarks & Restrictions	Service No.	Qty
1	Lever assembly handbrake		Also serviced as part of a kit, Ash Grey	ANR2260LNF	1
2	Grip handbrake		Also serviced as part of a kit, Ash Grey	NTC8122LNF	1
3	Gaiter-handbrake		Also serviced as part of a kit, Ash Grey	MXC7387LNF	1
4	Ring-Snap		Also serviced as part of a kit	MXC5333	1
5	Cable assembly handbrake			NTC6125	1
6	Bracket-handbrake cable relay lever			STC1157	1
7	Lever-handbrake cable relay			ANR3054	1
8	Pin assembly-clevis			PC108648	1



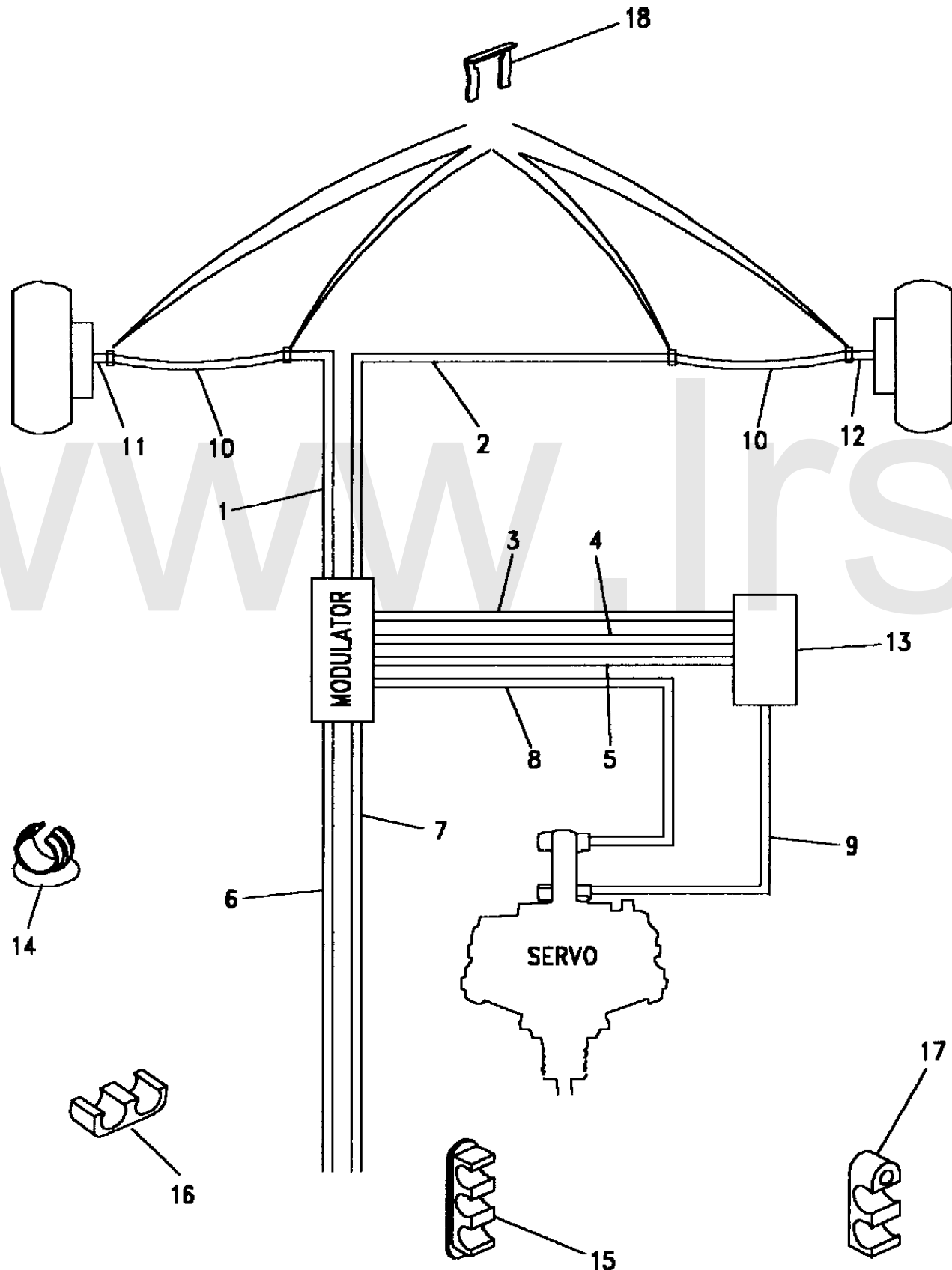
Change point - VIN begin MA081992, All Wheel Anti-Lock Braking System

Callout	Name	Application	Remarks & Restrictions	Service No.	Qty
1	Pipe assembly-antilock brakes		modulator to front hose, Front, LH	ANR2016	1
2	Pipe assembly-antilock brakes	RHD	modulator to front hose, Front, RH	ANR2407	1
		LHD	modulator to front hose, Front, RH	ANR2406	1
3	Pipe assembly-antilock brakes		valve to modulator, Front	ANR2023	1
4	Pipe assembly-antilock brakes		valve to modulator, Centre	ANR2024	1
5	Pipe assembly-antilock brakes		valve to separator	ANR2893	1
6	Pipe assembly-antilock brakes		modulator to rear connector	ANR3180	1
7	Pipe assembly-antilock brakes		modulator to rear connector	ANR3181	1
8	Pipe assembly-antilock brakes	RHD	Master Cylinder To Modulator	ANR2892	1
		LHD	Master Cylinder To Modulator	ANR3165	1
9	Pipe assembly brake	RHD	master cylinder to valve	ANR2410	1
		LHD	master cylinder to valve	ANR2411	1
10	Hose brake		Front	ANR1765	1
11	Pipe assembly brake		jump hose to caliper, Front, RH	ANR1769	1
12	Pipe assembly brake		jump hose to caliper, Front, LH	ANR1767	1
13	Valve Brake			ANR3194	1
14	Clip - Brake Pipe	Change point - VIN begin MA081992, RHD		NTC9543L	3
		Change point - VIN begin MA081992, LHD		NTC1176	4
15	Clip-brake pipe treble	RHD		ADU8846L	3
		RHD	4.75MM	AFU1217	2



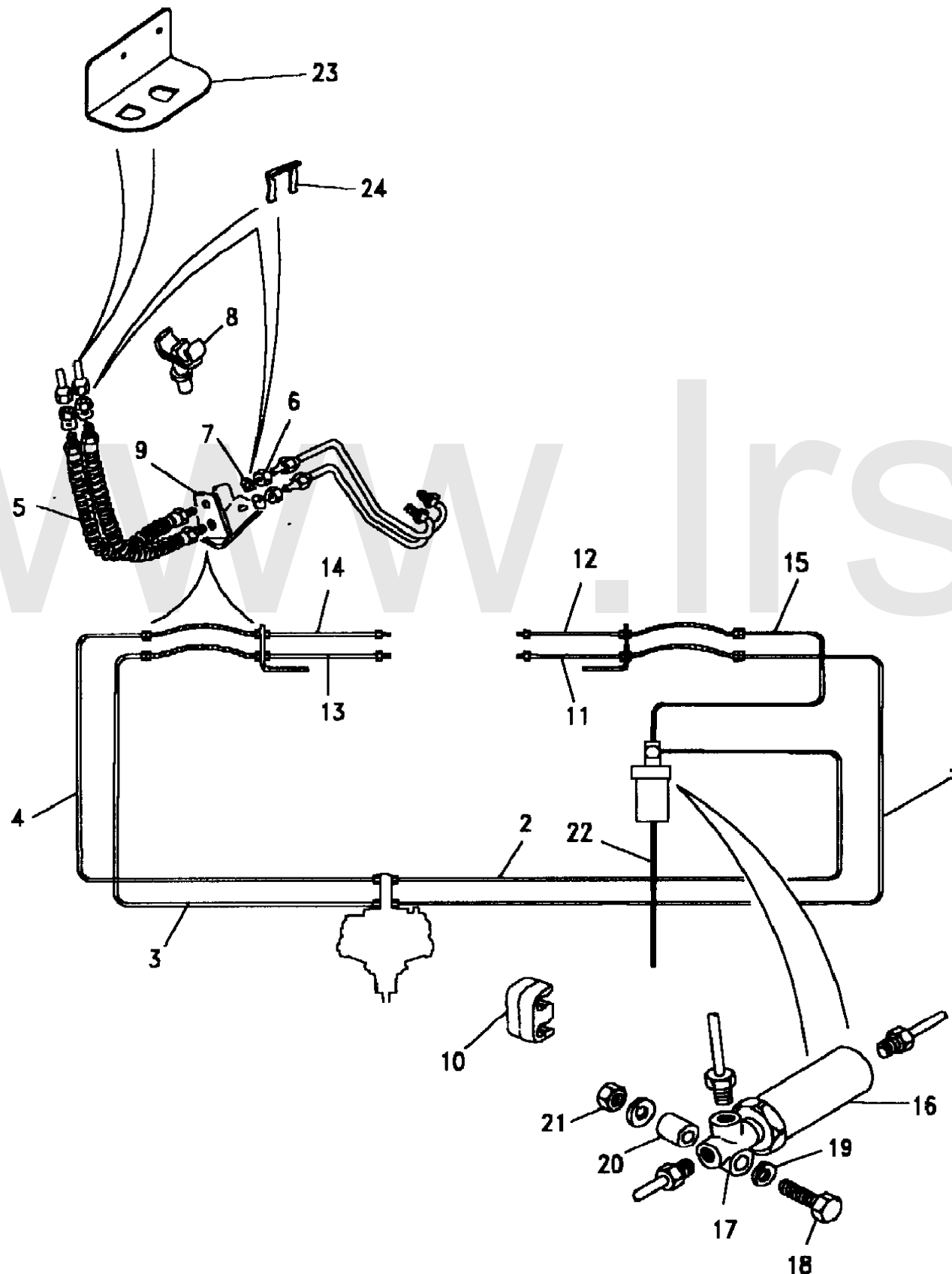
Change point - VIN begin MA081992, All Wheel Anti-Lock Braking System

Callout	Name	Application	Remarks & Restrictions	Service No.	Qty
16	Clip-brake pipe double			AAU7803	3
17	Clip-brake pipe double			NTC9530	3
18	Clip			BNP2227L	4
[900]	Bracket-hose brake	LHD	Front, RH hose to axle bracket, Front, LH	FTC4045 FTC4046	1 1
		LHD	BRACKET TO BODY, Front, LH	ANR1795	2
		RHD	Front, RH	ANR1796	2
[901]	Nut - Hex.		M6, nyloc, flange	NY106041	2
[902]	Washer		6MM	WA106041L	2
[903]	Screw		valve to body, Flanged Head	SE106551	1
[904]	Nut-flange		valve to body, M6	FN106047L	1
[905]	Clip		2 Holes	NTC9531	7
[906]	Clip-brake pipe treble	RHD		SGK100990	3



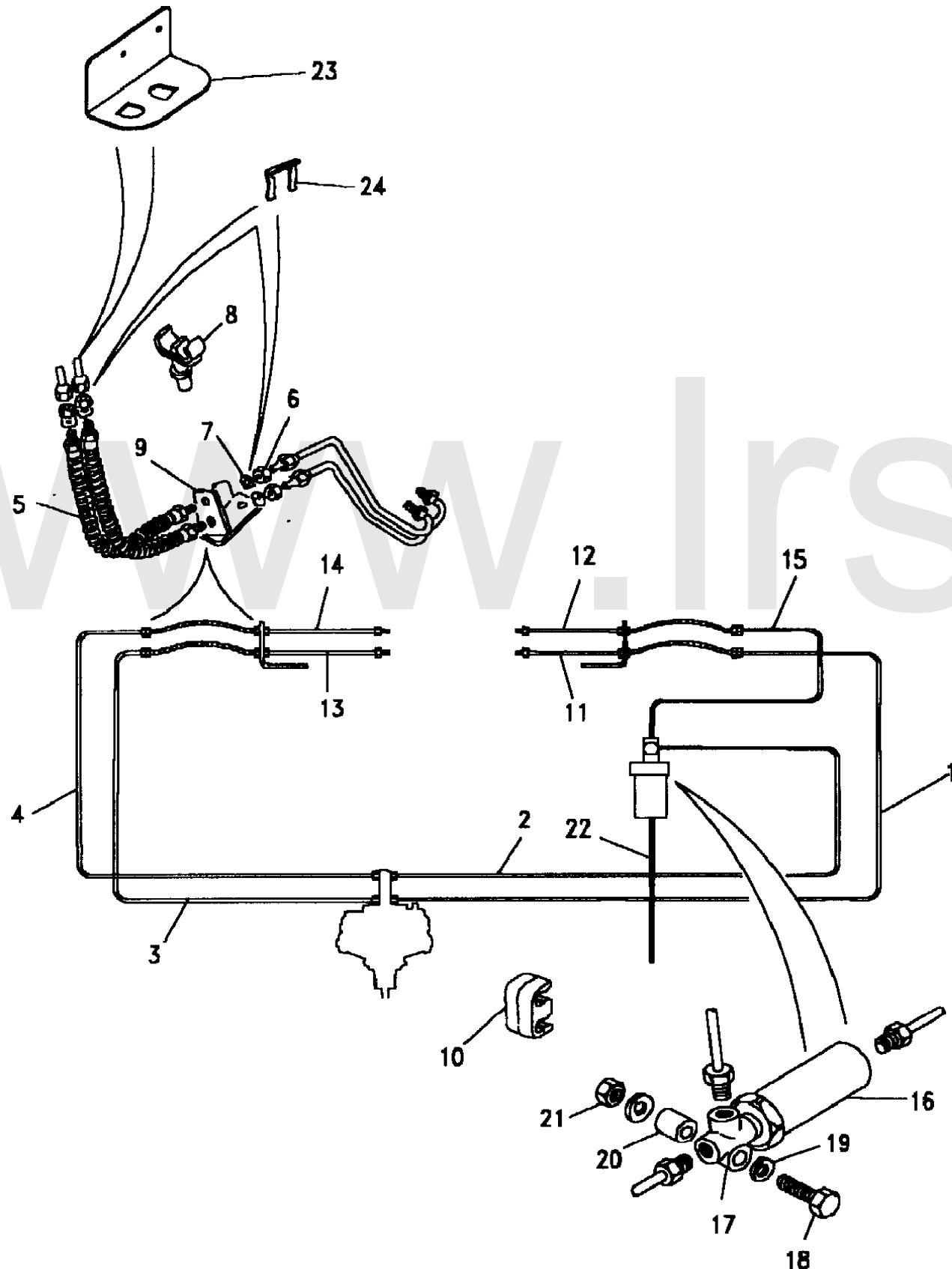
Change point - VIN end LA081991, LHD

Callout	Name	Application	Remarks & Restrictions	Service No.	Qty
1	Pipe assembly brake	Change point - VIN end JA034313, Less Anti-Lock Braking System	master cylinder (primary) to jump hose, RH	NTC7242	1
		Change point - VIN begin KA034313, Change point - VIN end LA081991, Less Anti-Lock Braking System	master cylinder (primary) to jump hose, RH	ANR1763	1
2	Pipe assembly brake	Change point - VIN end JA034313, Less Anti-Lock Braking System	master cylinder (secondary) to valve, RH	NTC7243	1
		Change point - VIN begin KA034313, Change point - VIN end LA081991, Less Anti-Lock Braking System	master cylinder (secondary) to valve, RH	ANR1805	1
3	Pipe assembly brake	Change point - VIN end JA034313, Less Anti-Lock Braking System	master cylinder (primary) to jump hose, LH	NTC7940	1
		Change point - VIN begin KA034313, Change point - VIN end LA081991, Less Anti-Lock Braking System	master cylinder (primary) to jump hose, LH	ANR1762	1
4	Pipe assembly brake	Change point - VIN end JA034313, Less Anti-Lock Braking System	master cylinder (secondary) to jump hose, LH	NTC7941	1
		Change point - VIN begin KA034313, Change point - VIN end LA081991, Less Anti-Lock Braking System	master cylinder (secondary) to jump hose, LH	ANR1764	1
5	Hose brake	Change point - VIN end JA034313, Less Anti-Lock Braking System	Front	NRC4401	4
		Change point - VIN begin KA034313, Change point - VIN end LA081991, Less Anti-Lock Braking System	Front	ANR1765	4
6	Nut - Hex.	Less Anti-Lock Braking System		CRC1487	8
7	Washer-starlock	Less Anti-Lock Braking System		WE110001L	8
8	Clip-brake pipe double	Less Anti-Lock Braking System		79127	11
9	Bracket-hose brake	Change point - VIN end JA034313, Less Anti-Lock Braking System	Front, RH	FRC8854	1
		Change point - VIN begin KA034313, Change point - VIN end LA081991, Less Anti-Lock Braking System	Front, RH	FTC3142	1
		Change point - VIN end JA034313, Less Anti-Lock Braking System	Front, LH	FRC8855	1



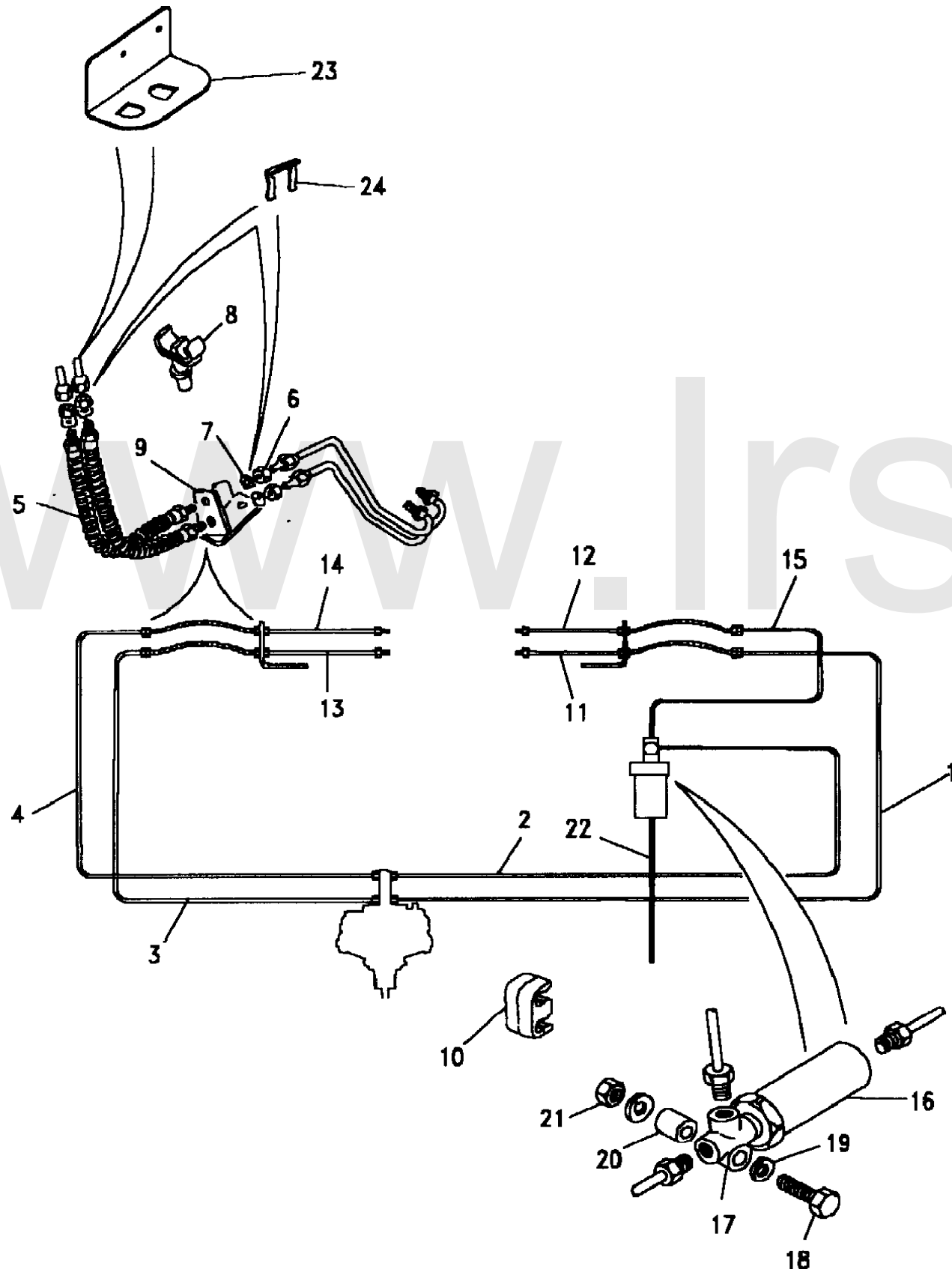
Change point - VIN end LA081991, LHD

Callout	Name	Application	Remarks & Restrictions	Service No.	Qty
9	Bracket-hose brake	Change point - VIN begin KA034313, Change point - VIN end LA081991, Less Anti-Lock Braking System	Front, LH	FTC3143	1
10	Clip-brake pipe double	Less Anti-Lock Braking System		AAU7803	1
11	Pipe assembly brake	Change point - VIN end JA034313, Less Anti-Lock Braking System	jump hose (primary) to caliper, Front, RH	NTC8096	1
		Change point - VIN begin KA034314, Change point - VIN end LA081991, Less Anti-Lock Braking System	jump hose (primary) to caliper, Front, RH	ANR1768	1
12	Pipe assembly brake	Change point - VIN end JA034313, Less Anti-Lock Braking System	jump hose (secondary) to caliper, Front, RH	NTC8097	1
		Change point - VIN begin KA034314, Change point - VIN end LA081991, Less Anti-Lock Braking System	jump hose (secondary) to caliper, Front, RH	ANR1769	1
13	Pipe assembly brake	Change point - VIN end JA034313, Less Anti-Lock Braking System	jump hose (primary) to caliper, Front, LH	NTC8098	1
		Change point - VIN begin KA034314, Change point - VIN end LA081991, Less Anti-Lock Braking System	jump hose (primary) to caliper, Front, LH	ANR1766	1
14	Pipe assembly brake	Change point - VIN end JA034313, Less Anti-Lock Braking System	jump hose (secondary) to caliper, Front, LH	NTC8099	1
		Change point - VIN begin KA034314, Change point - VIN end LA081991, Less Anti-Lock Braking System	jump hose (secondary) to caliper, Front, LH	ANR1767	1
15	Pipe assembly brake	Change point - VIN end JA034313, Less Anti-Lock Braking System	jump hose to PCR, Front, RH	NTC7246	1
		Change point - VIN begin KA034314, Change point - VIN end LA081991, Less Anti-Lock Braking System	jump hose to PCR, Front, RH	ANR1761	1
16	Pressure control release valve-brake	Less Anti-Lock Braking System		NTC6868L	1
17	T Piece	Less Anti-Lock Braking System	Rear	NRC4251	1
18	Bolt	Less Anti-Lock Braking System	M6 X 40MM, Flanged Head	FB106081L	1
19	Washer	Less Anti-Lock Braking System	M6, oversize	WC106041L	1



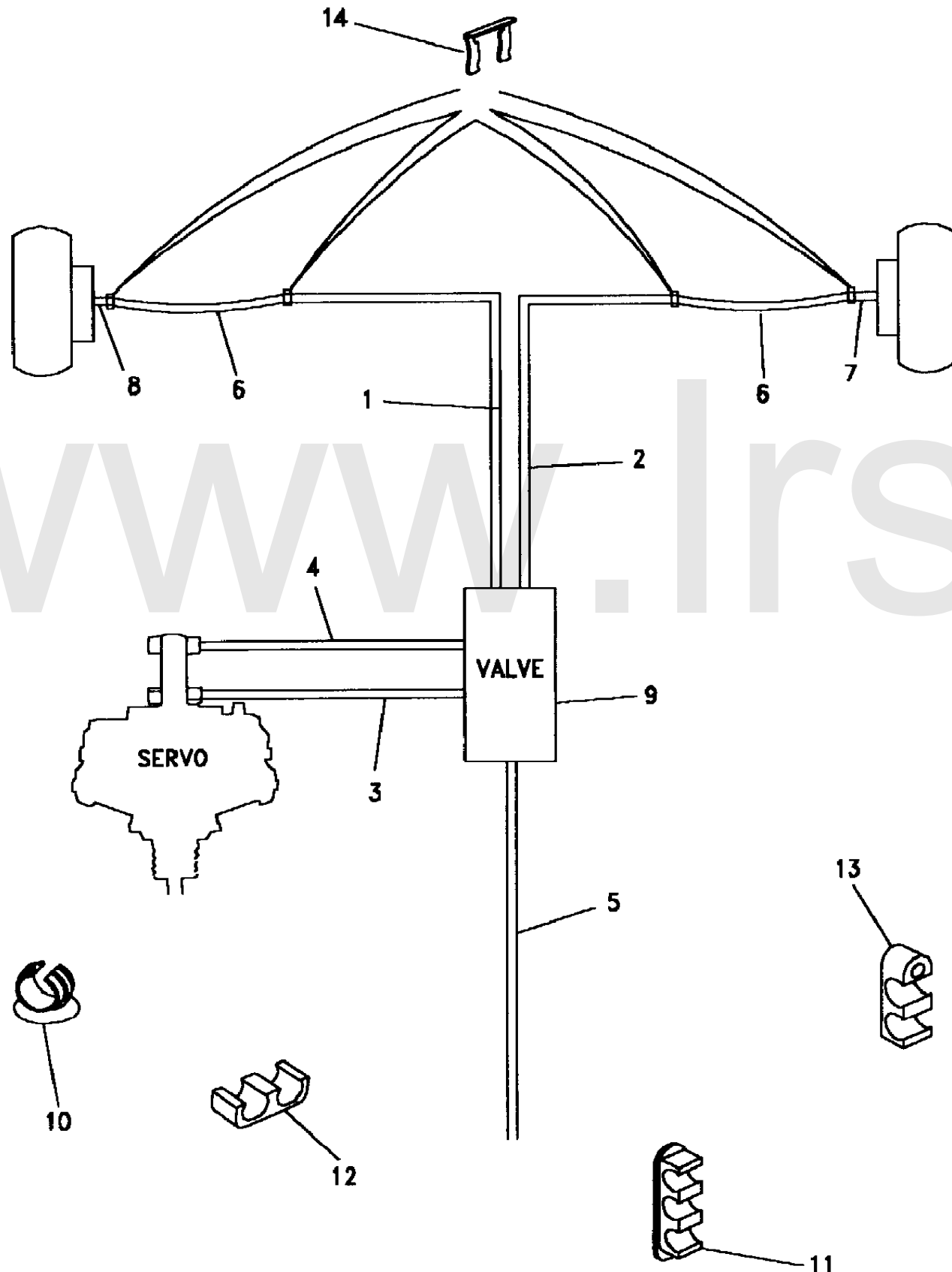
Change point - VIN end LA081991, LHD

Callout	Name	Application	Remarks & Restrictions	Service No.	Qty
20	Bush	Less Anti-Lock Braking System		390939	1
21	Nut - Hex.	Less Anti-Lock Braking System	M6, nyloc, Hexagonal	NH106041L	1
22	Pipe assembly brake	Change point - VIN end JA034313, Less Anti-Lock Braking System Change point - VIN begin KA034314, Change point - VIN end LA081991, Less Anti-Lock Braking System	Front Front	NTC7613 NTC9013	1 1
23	Bracket-hose brake	Less Anti-Lock Braking System	Front, LH Front, RH	ANR1795 ANR1796	1 1
24	Clip	Change point - VIN begin KA034314, Change point - VIN end LA081991, Less Anti-Lock Braking System		BNP2227L	4



Change point - VIN begin MA081992, Less Anti-Lock Braking System

Callout	Name	Application	Remarks & Restrictions	Service No.	Qty
1	Pipe assembly brake		valve to front hose, Front, LH	ANR2414	1
2	Pipe assembly brake	RHD	valve to front hose, Front, RH	ANR2412	1
		LHD	valve to front hose, Front, RH	ANR2413	1
3	Pipe assembly brake	RHD	valve to master cylinder	ANR2408	1
		LHD	valve to master cylinder	ANR2409	1
4	Pipe assembly brake	RHD	valve to master cylinder	ANR2410	1
		LHD	valve to master cylinder	ANR2411	1
5	Pipe assembly brake		valve to rear connector	ANR3363	1
6	Hose brake		Front	ANR1765	1
7	Pipe assembly brake		jump hose to caliper, Front, RH	ANR1769	1
8	Pipe assembly brake		jump hose to caliper, Front, LH	ANR1767	1
9	Valve Brake			ANR3194	1
10	Clip - Brake Pipe	Change point - VIN begin MA081992 Change point - VIN begin MA142745		NTC9543L 79124	9 1
11	Clip-brake pipe treble	Change point - VIN begin MA142745	4.75MM	AFU1217 ADU8846L ADU8846	2 1 1
12	Clip-brake pipe double			AAU7803 79127	4 8
13	Clip-brake pipe double			NTC9530	3
14	Clip			BNP2227L	4
[900]	Clip-brake pipe treble			SGK100990	1
[901]	Bracket-hose brake		Front, RH	ANR1796	1
[902]	Nut - Hex.		M6, nyloc, flange	NY106041	2
[903]	Washer		6MM	WA106041L	2
[904]	Bolt-flanged head		valve to body	FB106115L	1
[905]	Nut-flange		valve to body, M6	FN106047L	1



SEP 04

571

Braking Systems
Hoses & Pipes
Front Brakes 1/3

Discovery (FA393361-WA799999)
(CAHXCA1B)

571

SEP 04

Discovery (FA393361-WA799999)

Braking Systems
Hoses & Pipes
Front Brakes

Change point - VIN end LA081991, RHD

Callout	Name	Application	Remarks & Restrictions	Service No.	Qty
1	Pipe assembly brake	Change point - VIN end JA034313, Less Anti-Lock Braking System	master cylinder (primary) to jump hose, RH	NTC7241	1
		Change point - VIN begin KA034314, Change point - VIN end LA081991, Less Anti-Lock Braking System	master cylinder (primary) to jump hose, RH	ANR1759	1
2	Pipe assembly brake	Change point - VIN end JA034313, Less Anti-Lock Braking System	master cylinder (secondary) to jump hose, RH	NTC4095	1
		Change point - VIN begin KA034314, Change point - VIN end LA081991, Less Anti-Lock Braking System	master cylinder (secondary) to valve, RH	ANR1806	1
3	Pipe assembly brake	Change point - VIN end JA034313, Less Anti-Lock Braking System	master cylinder (primary) to jump hose, LH	NTC4097	1
		Change point - VIN begin KA034314, Change point - VIN end LA081991, Less Anti-Lock Braking System	master cylinder (primary) to jump hose, LH	ANR1758	1
4	Pipe assembly brake	Change point - VIN end JA034313, Less Anti-Lock Braking System	master cylinder (secondary) to jump hose, LH	NTC4096	1
		Change point - VIN begin KA034314, Change point - VIN end LA081991, Less Anti-Lock Braking System	master cylinder (secondary) to jump hose, LH	ANR1760	1
5	Hose brake	Change point - VIN end JA034313, Less Anti-Lock Braking System	Front	NRC4401	4
		Change point - VIN begin KA034314, Change point - VIN end LA081991, Less Anti-Lock Braking System	Front	ANR1765	4
6	Nut - Hex.	Less Anti-Lock Braking System		CRC1487	8
7	Washer-starlock	Less Anti-Lock Braking System		WE110001L	8
8	Clip-brake pipe double	Less Anti-Lock Braking System		79127	8
9	Bracket-hose brake	Change point - VIN end JA034313, Less Anti-Lock Braking System	Front, RH	FRC8854	1
		Change point - VIN begin KA034314, Change point - VIN end LA081991, Less Anti-Lock Braking System	Front, RH	FTC3142	1
		Change point - VIN end JA034313, Less Anti-Lock Braking System	Front, LH	FRC8855	1

Braking Systems
Hoses & Pipes
Front Brakes 2/3

Discovery (FA393361-WA799999)
(CAHXCA1B)

Discovery (FA393361-WA799999)

Braking Systems
Hoses & Pipes
Front Brakes

Change point - VIN end LA081991, RHD

Callout	Name	Application	Remarks & Restrictions	Service No.	Qty
9	Bracket-hose brake	Change point - VIN begin KA034314, Change point - VIN end LA081991, Less Anti-Lock Braking System	Front, LH	FTC3143	1
10	Clip-brake pipe double	Less Anti-Lock Braking System		AAU7803	2
11	Pipe assembly brake	Change point - VIN end JA034313, Less Anti-Lock Braking System	jump hose (primary) to caliper, Front, RH	NTC8096	1
		Change point - VIN begin KA034313, Change point - VIN end LA081991, Less Anti-Lock Braking System	jump hose (primary) to caliper, Front, RH	ANR1768	1
12	Pipe assembly brake	Change point - VIN end JA034313, Less Anti-Lock Braking System	jump hose (secondary) to caliper, Front, RH	NTC8097	1
		Change point - VIN begin KA034313, Change point - VIN end LA081991, Less Anti-Lock Braking System	jump hose (secondary) to caliper, Front, RH	ANR1769	1
13	Pipe assembly brake	Change point - VIN end JA034313, Less Anti-Lock Braking System	jump hose (primary) to caliper, Front, LH	NTC8098	1
		Change point - VIN begin KA034313, Change point - VIN end LA081991, Less Anti-Lock Braking System	jump hose (primary) to caliper, Front, LH	ANR1766	1
14	Pipe assembly brake	Change point - VIN end JA034313, Less Anti-Lock Braking System	jump hose (secondary) to caliper, Front, LH	NTC8099	1
		Change point - VIN begin KA034313, Change point - VIN end LA081991, Less Anti-Lock Braking System	jump hose (secondary) to caliper, Front, LH	ANR1767	1
15	Pipe assembly brake	Change point - VIN end JA034313, Less Anti-Lock Braking System	jump hose to PCR, Front, RH	NTC7246	1
		Change point - VIN begin KA034313, Change point - VIN end LA081991, Less Anti-Lock Braking System	jump hose to PCR, Front, RH	ANR1761	1
16	Pressure control release valve-brake	Less Anti-Lock Braking System		NTC6868L	1
17	T Piece	Less Anti-Lock Braking System	Rear	NRC4251	1
18	Bolt	Less Anti-Lock Braking System	M6 X 40MM, Flanged Head	FB106081L	1
19	Washer	Less Anti-Lock Braking System	M6, oversize	WC106041L	1

SEP 04**573**Braking Systems
Hoses & Pipes
Front Brakes 3/3**Discovery (FA393361-WA799999)**
(CAHXCA1B)**573****SEP 04****Discovery (FA393361-WA799999)**Braking Systems
Hoses & Pipes
Front Brakes

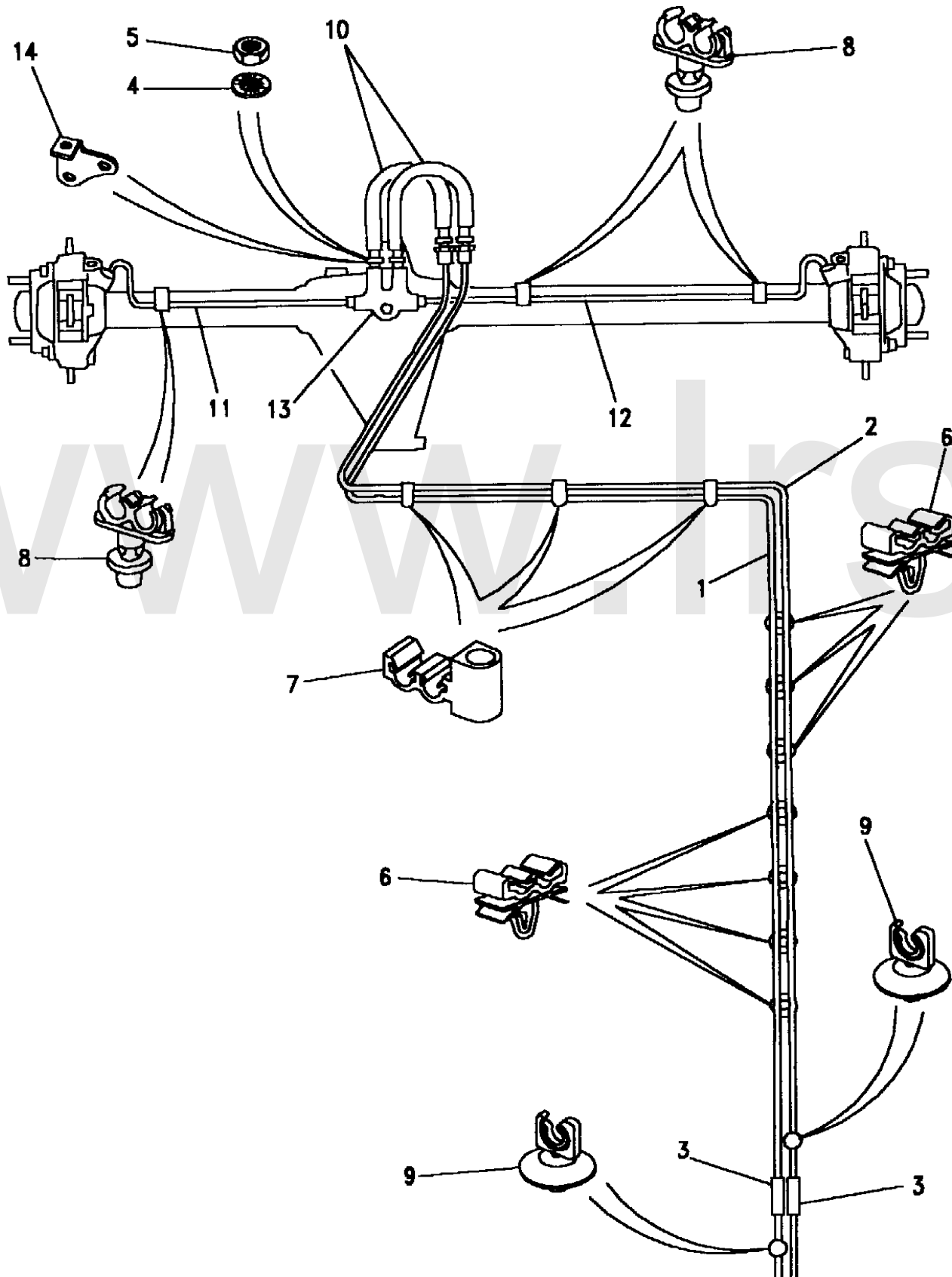
Change point - VIN end LA081991, RHD

Callout	Name	Application	Remarks & Restrictions	Service No.	Qty
20	Bush	Less Anti-Lock Braking System		390939	1
21	Nut - Hex.	Less Anti-Lock Braking System	M6, nyloc, Hexagonal	NH106041L	1
22	Pipe assembly brake	Change point - VIN end JA034313, Less Anti-Lock Braking System	Front	NTC7613	1
		Change point - VIN begin KA034313, Change point - VIN end LA081991, Less Anti-Lock Braking System	Front	NTC9013	1
23	Bracket-hose brake	Less Anti-Lock Braking System	Front, RH	ANR1796	1
		Less Anti-Lock Braking System	Front, LH	ANR1795	1
24	Clip	Change point - VIN begin KA034313, Change point - VIN end LA081991, Less Anti-Lock Braking System		BNP2227L	4

www.lrservice.ru

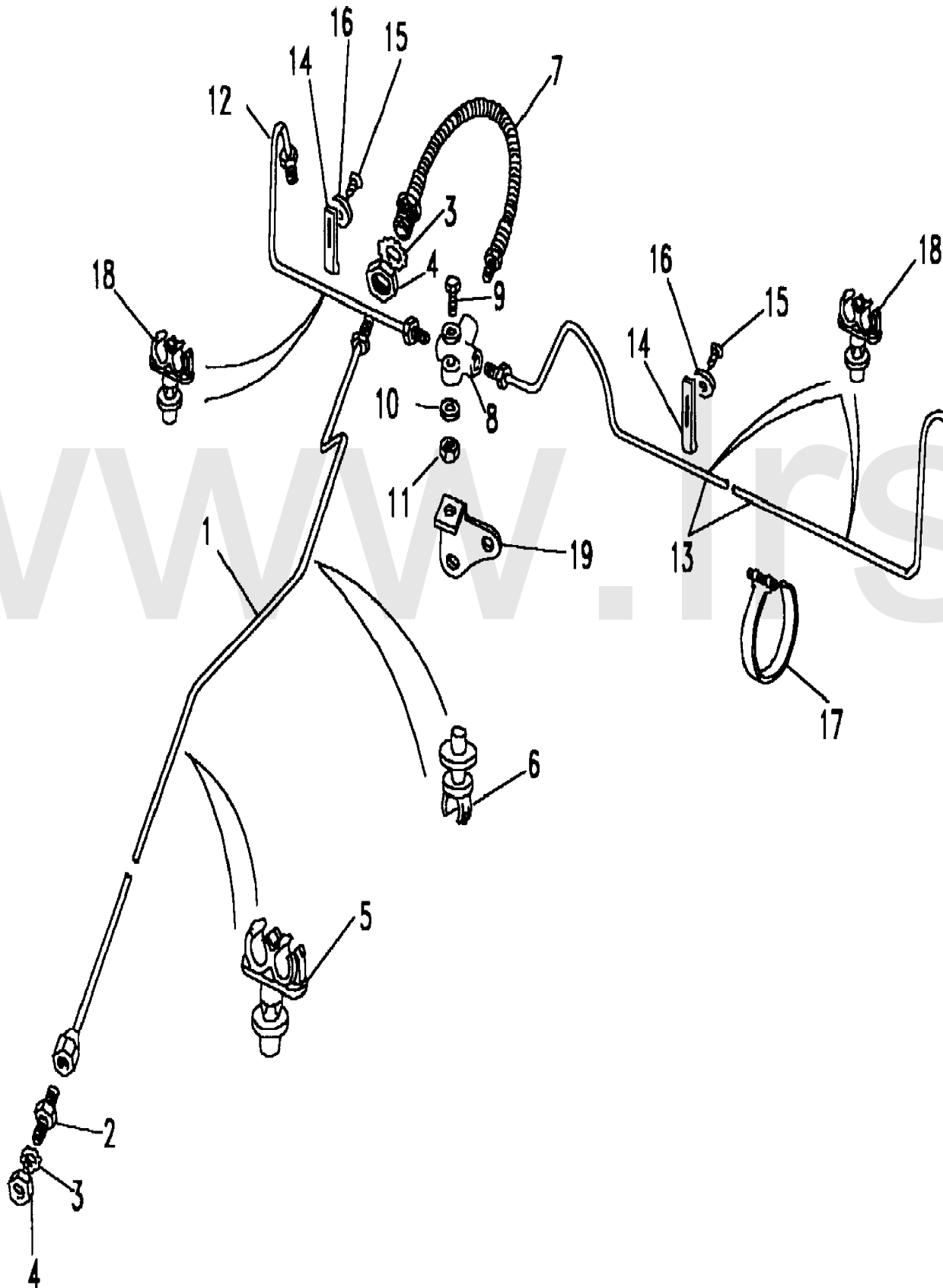
All Wheel Anti-Lock Braking System

Callout	Name	Application	Remarks & Restrictions	Service No.	Qty
1	Pipe assembly brake		Rear, LH	NTC8872	1
2	Pipe assembly brake		Rear, RH	NTC8874	1
3	Connector brake			BMK2466	1
4	Washer-starlock			WE110001L	2
5	Nut - Hex.			CRC1487	2
6	Clip-brake pipe double			NTC9531	4
7	Clip-brake pipe double			NTC9530	3
8	Clip-brake pipe double			79127	2
9	Clip - Brake Pipe			CRC1250L	1
10	Hose brake		Rear	NTC3458	1
11	Pipe assembly brake		Rear, RH	NTC7688	1
12	Pipe assembly brake		Rear, LH	NTC7689	1
13	Connector brake			NTC7291	1
14	Bracket-brake pipe tee connector			FRC8775 FTC4889	1 1



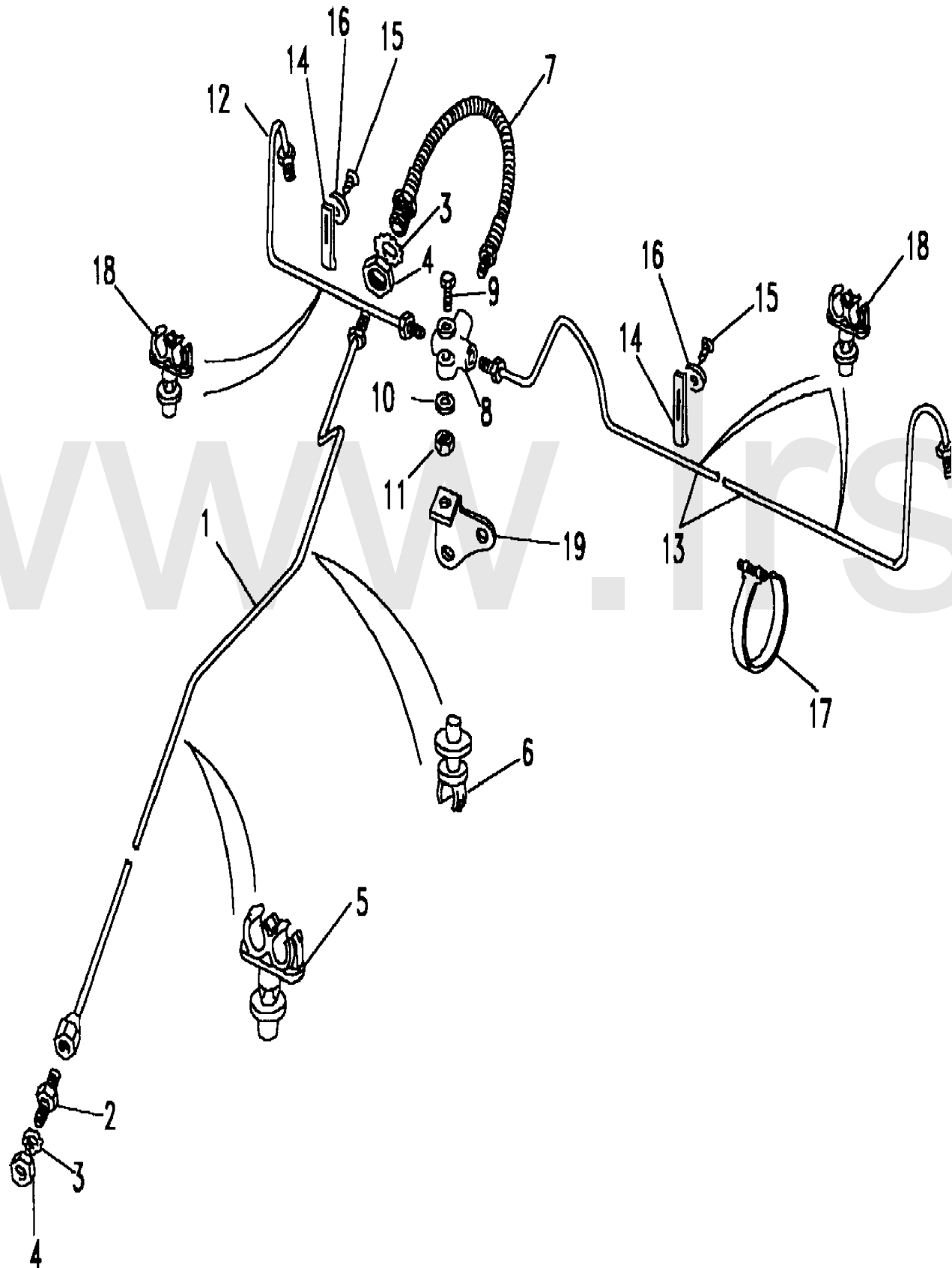
Less Anti-Lock Braking System

Callout	Name	Application	Remarks & Restrictions	Service No.	Qty		
1	Pipe assembly brake	Change point - VIN end GA441789	Rear	NTC2003	1		
		Change point - VIN begin GA441789, Change point - VIN end GA456980	Rear	NTC8028	1		
		Change point - VIN begin HA000001, Change point - VIN end HA002174	Rear	NTC8028	1		
		Change point - VIN begin HA456981, Change point - VIN end HA486551	Rear	NTC8028	1		
		Change point - VIN begin HA002175, Change point - VIN end HA012332	Rear	NTC9273	1		
		Change point - VIN begin JA012333, Change point - VIN end JA034313	Rear	NTC9273	1		
		Change point - VIN begin KA034314, Change point - VIN end LA081991	Rear	NTC9293	1		
		Change point - VIN begin MA081992	Rear, RH	NTC8874	1		
		2	Connector brake	Change point - VIN end JA034313	Rear	NRC4403	1
				Change point - VIN begin JA034314		BMK2466	1
		3	Washer-starlock			WE110001L	2
		4	Nut - Hex.			CRC1487	2
5	Clip-brake pipe double		(-) MPI	79125	4		
		MPI MPI	stud fixing	NTC9530 NTC8242	3 2		
6	Clip - Brake Pipe		(-) MPI	CRC1250L NTC9543L	1 9		
		MPI					
7	Hose brake		Rear	NTC3458	1		
8	T Piece		Rear	NRC4251	1		
9	Bolt		hexagonal head, M6 x 30	BH106061L	1		
10	Washer		6MM	WA106041L	1		
11	Nut - Hex.		M6, nyloc, Hexagonal	NH106041L	1		
12	Pipe assembly brake	Change point - VIN begin GA394352, Change point - VIN end GA456980	Rear, RH	NRC4419	1		
		Change point - VIN begin HA000001, Change point - VIN end HA012332	Rear, RH	NTC7676	1		



Less Anti-Lock Braking System

Callout	Name	Application	Remarks & Restrictions	Service No.	Qty
12	Pipe assembly brake	Change point - VIN begin HA456981, Change point - VIN end HA486551	Rear, RH	NTC7676	1
		Change point - VIN begin JA012333, Change point - VIN end LA081991	Rear, RH	NTC7676	1
		Change point - VIN begin MA081992	Rear, RH	NTC7688	1
13	Pipe assembly brake	Change point - VIN begin HA002175, Change point - VIN end HA012332	Rear, LH	NTC3071	1
		Change point - VIN begin JA012333, Change point - VIN end JA034313	Rear, LH	NTC3071	1
		Change point - VIN begin KA034514	Rear, LH	NTC7689	1
14	Clip-p			577873	2
15	Screw			SL510031	2
16	Washer-Plain			WC702101L	2
17	Clip			11820L	1
18	Clip-brake pipe double			NTC8242	3
19	Bracket-brake pipe tee connector			FRC8775	1
				FTC4889	1
[900]	Clip-brake pipe treble			NTC9603	1



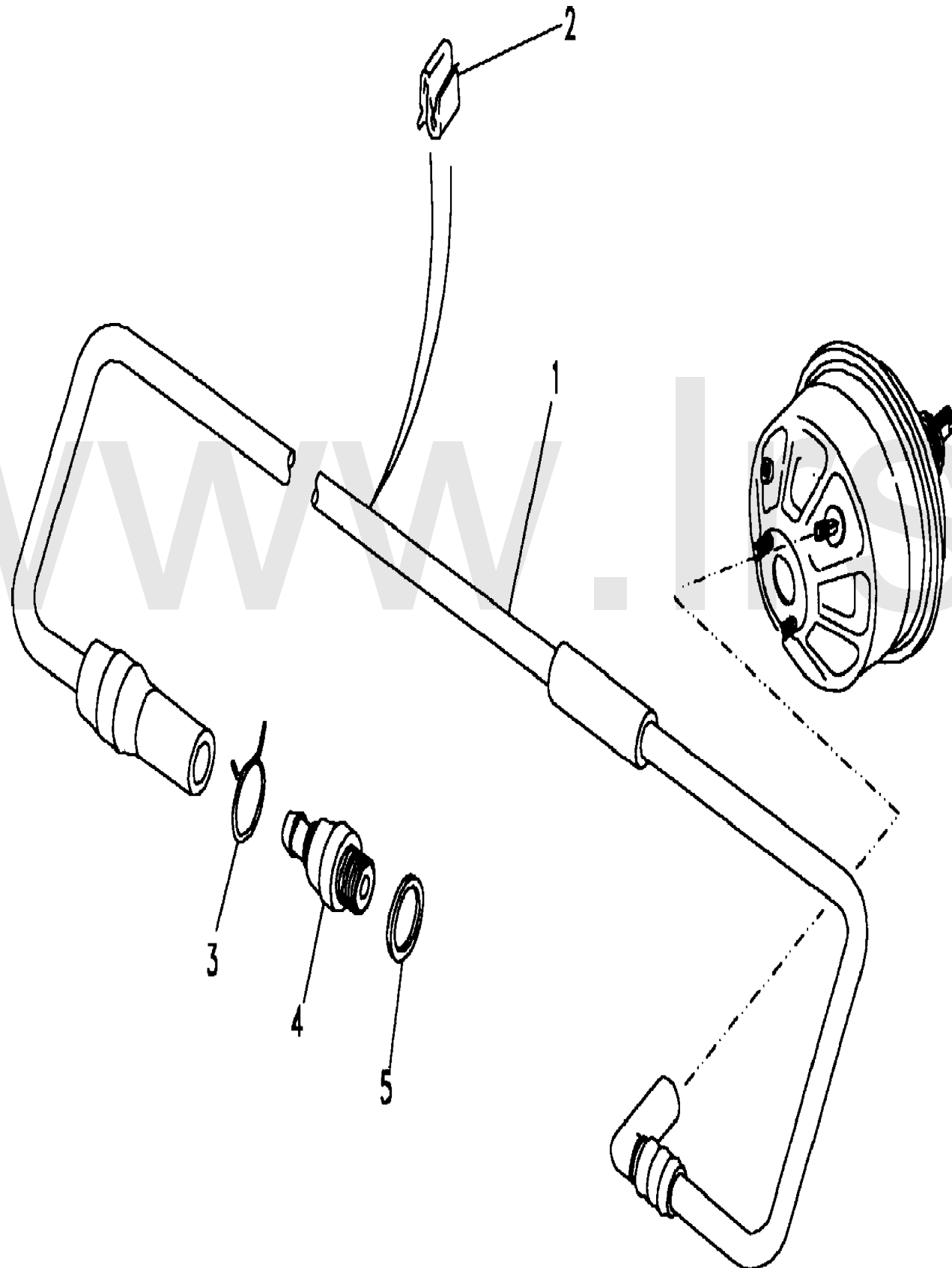
Braking Systems
Hoses & Pipes
Vacuum Hose 1/1

Discovery (FA393361-WA799999)
(CAHXAA2A)

Discovery (FA393361-WA799999)

Braking Systems
Hoses & Pipes
Vacuum Hose

Callout	Name	Application	Remarks & Restrictions	Service No.	Qty
1	Hose brake vacuum		to inlet manifold	NTC9677	1
2	Clip-edge pipe swivel			NTC7260	2
3	Clip-Hose			572548 CN100168L	1 1
4	Valve-inlet manifold non return			RTC5907	1
5	Washer-sealing			232043	1



www.isservice.ru