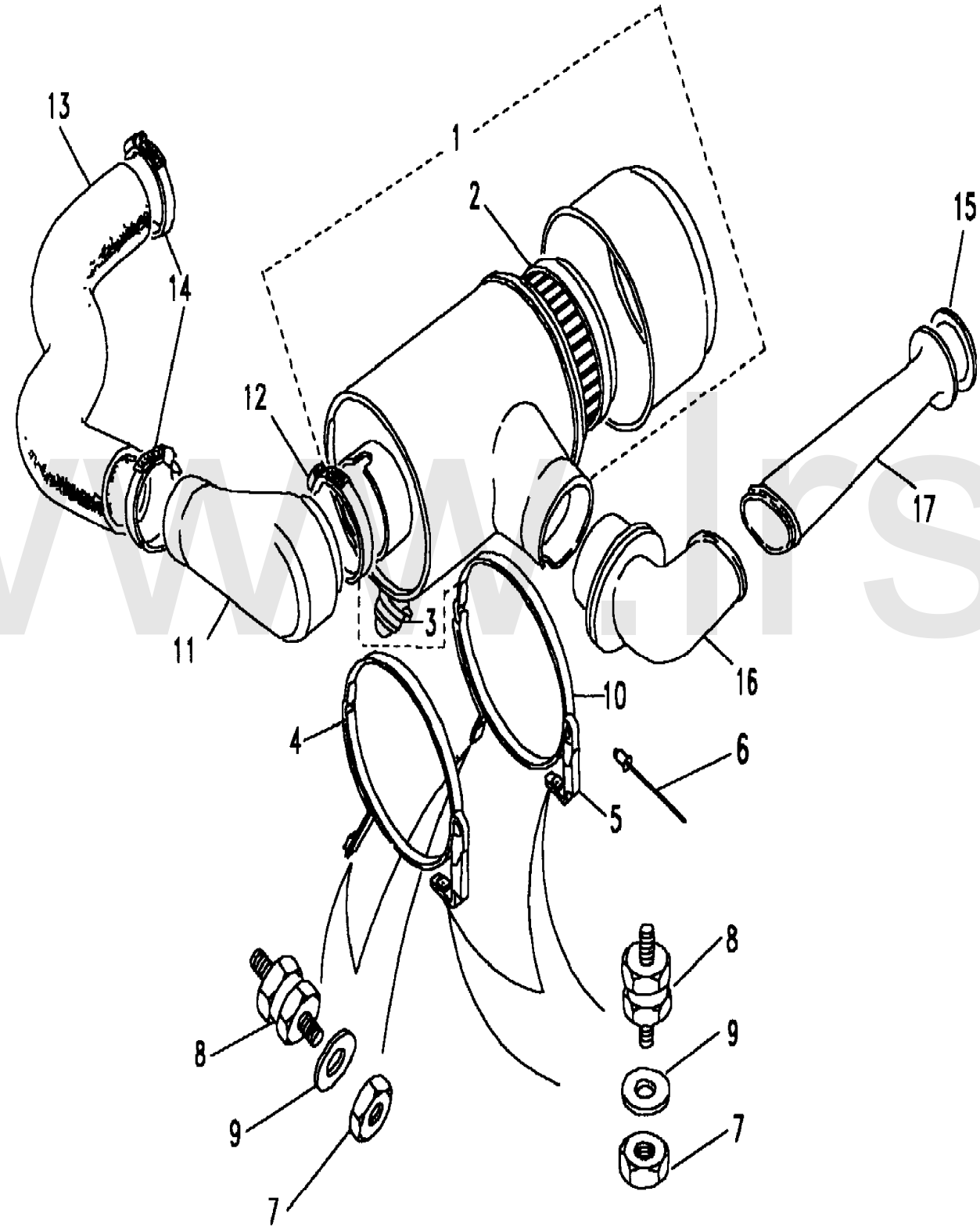


Change point - VIN end LA081991, With Diesel Engines

Callout	Name	Application	Remarks & Restrictions	Service No.	Qty
1	Air cleaner assembly	2.5L I4 200 TDi Turbo Diesel, 5 Speed Manual Transmission, Less Catalyst	Also serviced as part of a kit, Engine Code 12L 2.5 TDI Manual - Gemini	ESR1050	1
2	Element Assy - Air Cleaner	Change point - VIN end JA018272, 2.5L I4 200 TDi Turbo Diesel, 5 Speed Manual Transmission, Less Catalyst Change point - VIN end LA081991, Change point - VIN begin JA018273, 2.5L I4 200 TDi Turbo Diesel, 5 Speed Manual Transmission, Less Catalyst	Also serviced as part of a kit, Engine Code 12L 2.5 TDI Manual - Gemini Also serviced as part of a kit, Engine Code 12L 2.5 TDI Manual - Gemini	NTC1435 ESR1049	1 1
3	Valve assembly air intake	2.5L I4 200 TDi Turbo Diesel, 5 Speed Manual Transmission, Less Catalyst	Also serviced as part of a kit, Engine Code 12L 2.5 TDI Manual - Gemini	NRC8955	1
4	Clamp air intake/duct	TDi Diesel	Rear	NTC5652	1
5	Catch overcentre	TDi Diesel		MRC8388	1
6	Rivet	TDi Diesel		RA608176L	2
7	Nut - Hex.	TDi Diesel	M6, nyloc, Hexagonal	NH106041L	2
8	Mounting-rubber flexible support	Change point - VIN end JA020994, TDi Diesel Change point - VIN begin JA020995, TDi Diesel		NRC9773 ESR1579	2 2
9	Washer	TDi Diesel	6MM	WA106041L	2
10	Clamp air intake/duct	Change point - VIN end JA018272, TDi Diesel Change point - VIN begin JA018273, TDi Diesel	Front Front	NTC5654 ESR1051	1 1
11	Elbow assembly-duct air cleaner/throttle body	TDi Diesel, (-)"CH" TDi Diesel, (+)"CH"		NTC5803 NTC7313	1 1
12	Clip-Hose	TDi Diesel		CN100908L	1
13	Hose-air inlet turbocharger	TDi Diesel		NTC7083	1
14	Clip-Hose	TDi Diesel TDi Diesel		CN100608L PYC101120	2 2
15	Seal induction system	TDi Diesel		NTC7086	1



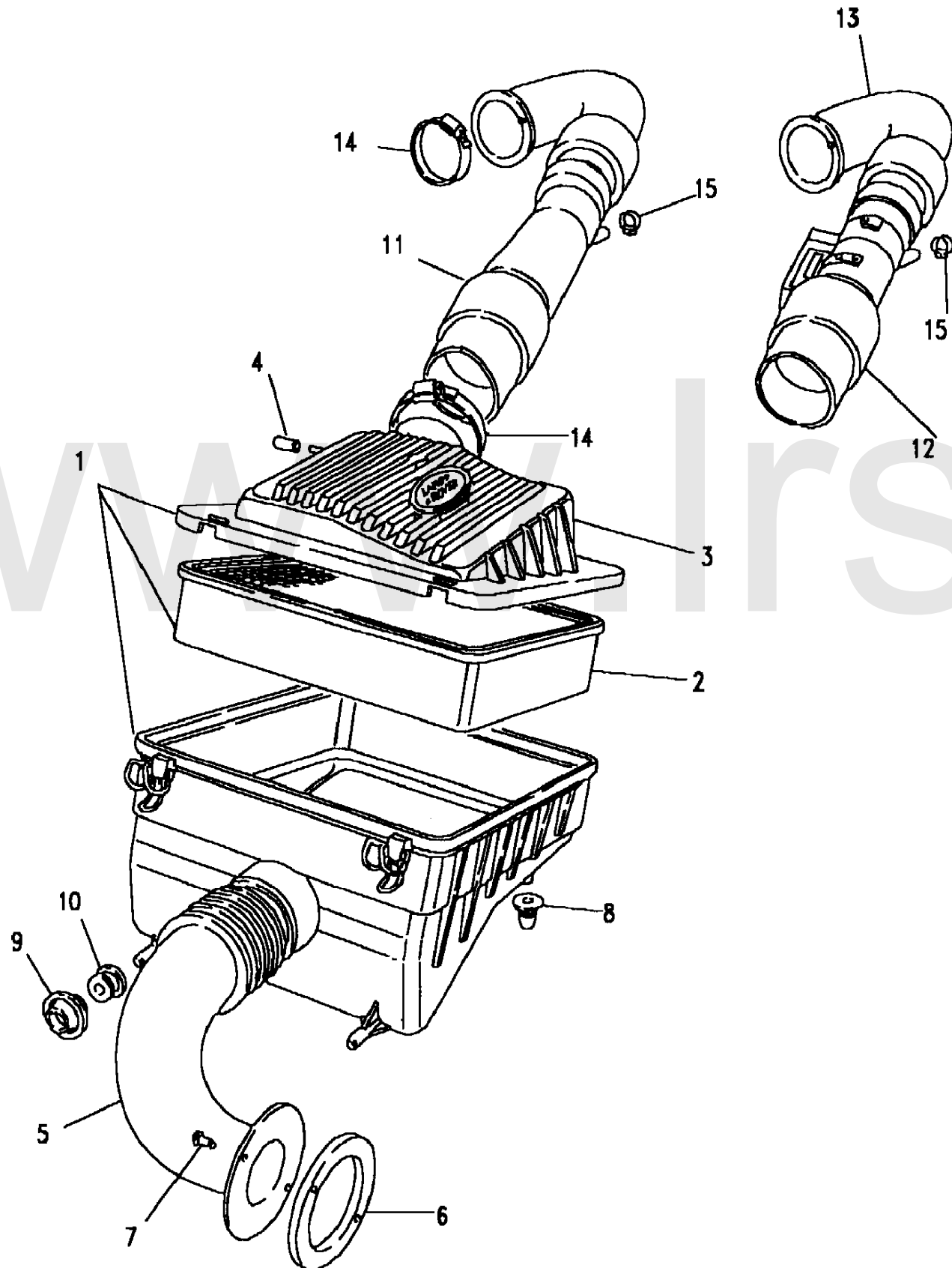
Change point - VIN end LA081991, With Diesel Engines

Callout	Name	Application	Remarks & Restrictions	Service No.	Qty
16	Duct-elbow induction system	Change point - VIN end JA018278, TDi Diesel		ESR151	1
17	Resonator induction system	Change point - VIN end JA018278, TDi Diesel		NTC7088	1
18	Nut-wing	TDi Diesel 2.5L I4 200 TDi Turbo Diesel, 5 Speed Manual Transmission, Less Catalyst	Also serviced as part of a kit, Engine Code 12L 2.5 TDI Manual - Gemini	NRC9239 NRC9239	1 1

www.russervice.ru

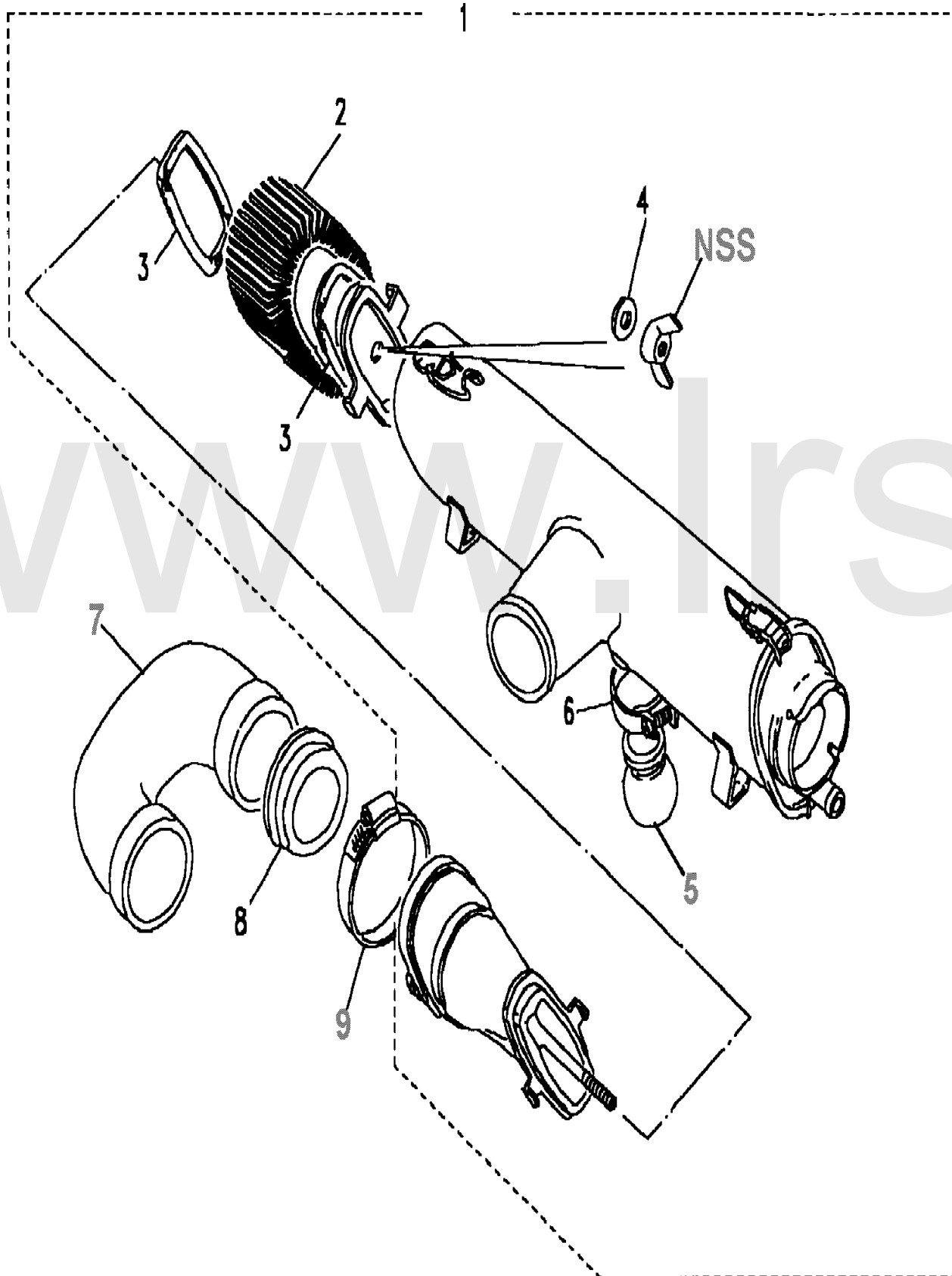
Change point - VIN begin MA081992, With Diesel Engines

Callout	Name	Application	Remarks & Restrictions	Service No.	Qty
1	Air cleaner assembly	300 TDi Diesel	Also serviced as part of a kit, (-) 12L 2.5 TDI Manual - Gemini	ESR1444	1
2	Element Assy - Air Cleaner	Change point - VIN begin MA081992, 300 TDi Diesel	Also serviced as part of a kit, (-) 12L 2.5 TDI Manual - Gemini	ESR1445	1
3	Lid-air cleaner	Change point - VIN begin MA086239, 300 TDi Diesel	Also serviced as part of a kit, (-) 12L 2.5 TDI Manual - Gemini	ESR3247	1
4	Cap-air box blanking	300 TDi Diesel	Also serviced as part of a kit, (-) 12L 2.5 TDI Manual - Gemini	ESR2965	1
5	Duct-cold air intake/air cleaner induction system	300 TDi Diesel	Also serviced as part of a kit, (-) 12L 2.5 TDI Manual - Gemini	ESR1621	1
6	Grommet-mounting air cleaner	300 TDi Diesel	Also serviced as part of a kit, (-) 12L 2.5 TDI Manual - Gemini	ESR1446	1
7	Grommet-blind	300 TDi Diesel	Also serviced as part of a kit, (-) 12L 2.5 TDI Manual - Gemini	ESR2392	1
8	Grommet	300 TDi Diesel	Also serviced as part of a kit, (-) 12L 2.5 TDI Manual - Gemini	ESR1803	2
9	Grommet-mounting air cleaner		Front	ESR2067	2
10	Grommet			NTC8960	2
11	Hose-air outlet turbocharger	EGR		ESR2150	1
12	Duct-air cleaner/air flow meter induction system	EDC		ESR2755	1
13	Hose-air flow meter to turbocharger induction system	EDC		ESR1451	1
14	Clip-Hose	EDC		CN100808L	2
15	Clip-Hose	EDC	25MM	CN100258L	2
[900]	Kit-air intake-air cleaner	LHD		STC7051	1



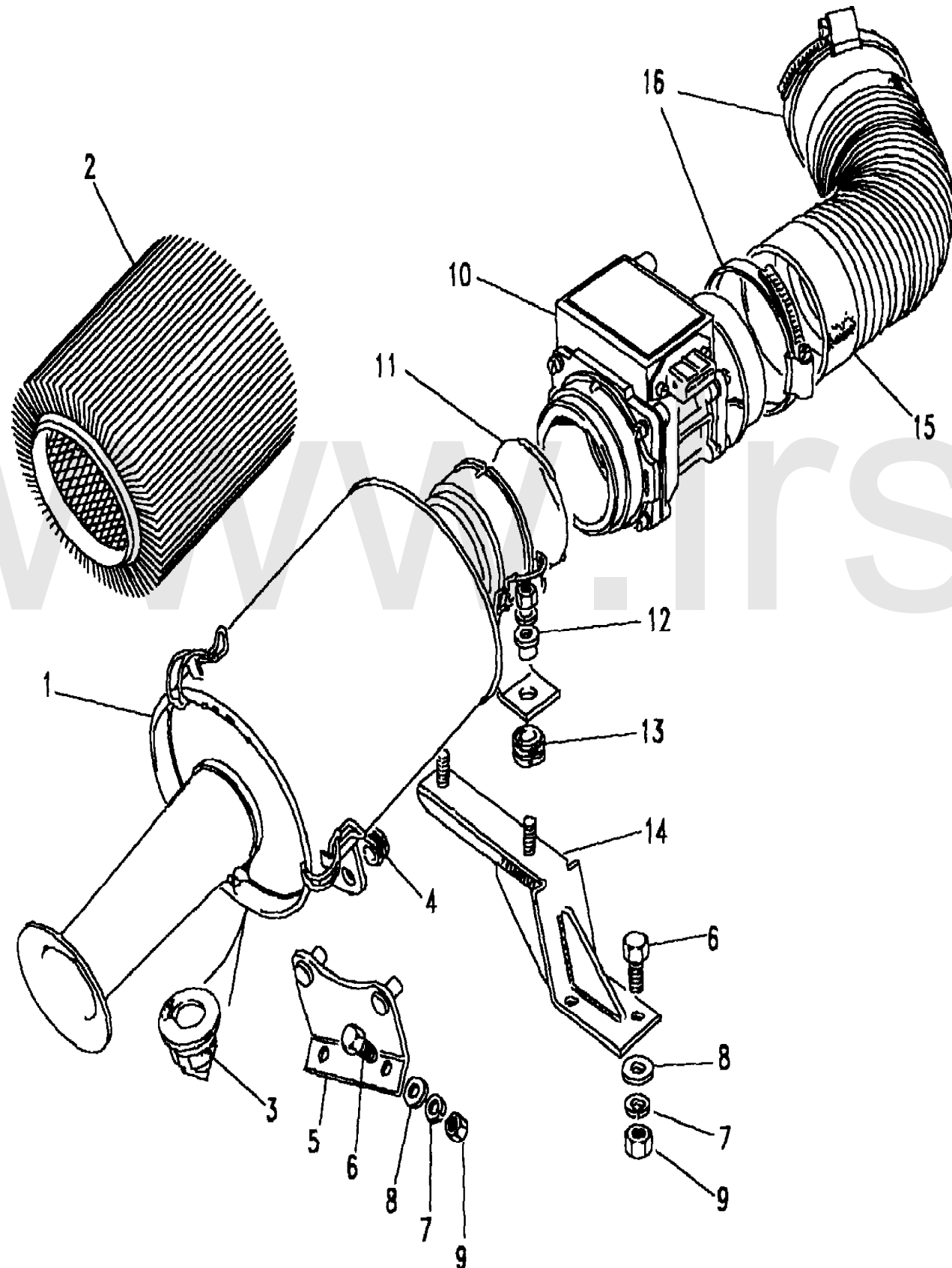
V8 Twin Carb L/R Petrol

Callout	Name	Application	Remarks & Restrictions	Service No.	Qty
1	Air cleaner assembly	V8 Twin Carb Petrol		ETC8830	1
2	Element Assy - Air Cleaner	V8 Twin Carb Petrol		605191	2
3	Seal	V8 Twin Carb Petrol		RTC5888	4
4	Washer-Plain	V8 Twin Carb Petrol	Standard	RTC609	2
5	Valve assembly air intake	V8 Twin Carb Petrol		STC1120	1
6	Clip	V8 Twin Carb Petrol		606247	1
7	Elbow-carburettor air inlet	V8 Twin Carb		603670	2
8	Seal induction system	V8 Twin Carb		603069	2
9	Clip-Hose	V8 Twin Carb		RTC3519	2



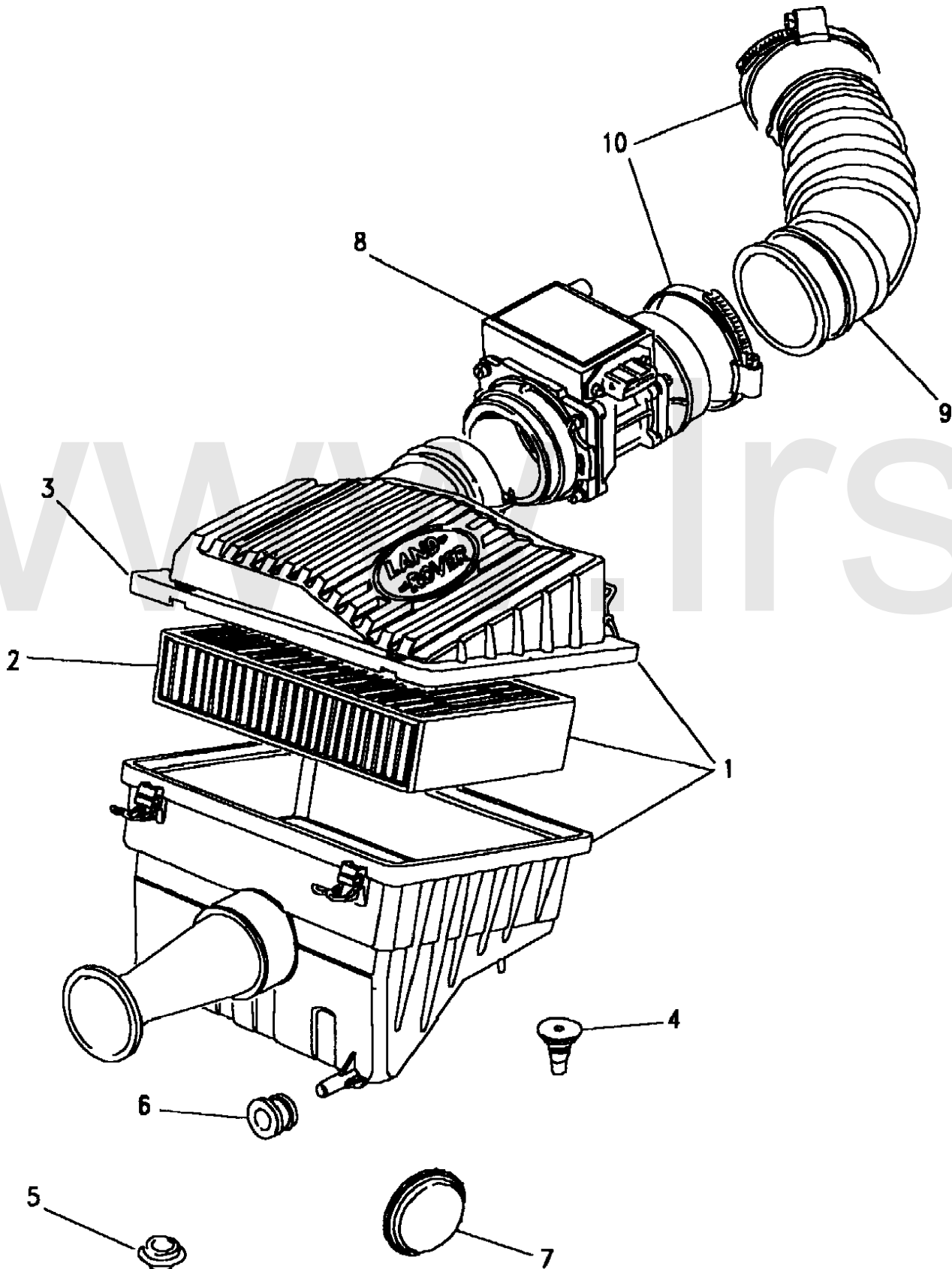
Change point - VIN end LA081991, Petrol V8 L/R EFI

Callout	Name	Application	Remarks & Restrictions	Service No.	Qty
1	Air cleaner assembly	V8 EFI Petrol		NTC4408	1
2	Element Assy - Air Cleaner	Change point - VIN end LA081991, V8 EFI Petrol		RTC4683	1
3	Valve assembly air intake	V8 EFI Petrol		NTC3751	1
4	Grommet	V8 EFI Petrol		RTC4819	2
5	Bracket-mounting air cleaner	V8 EFI		ESR274	1
6	Screw	V8 EFI V8 EFI	M8 X 16, Flanged Head M8 X 16, hexagonal head	FS108161L SH108161L	4 4
7	Washer	V8 EFI	M8, sprung	WL108001L	6
8	Washer	V8 EFI	M8	WC108051L	2
9	Nut - Hex.	V8 EFI	M8, flange	FN108041L	6
10	Sensor-airflow-multi point inject	V8 EFI		ESR1057L	1
11	O Ring	V8 EFI		NTC3354	1
12	Bush	V8 EFI		ERC5829	2
13	Grommet	V8 EFI		ERC5830	2
14	Bracket-mounting air cleaner	V8 EFI	Large	ESR273	1
15	Hose-Flexible	V8 EFI		ESR1611L	1
16	Clip-Hose	V8 EFI		CN100908L	2
[900]	Plug	V8 EFI	Red	RTC5770	1



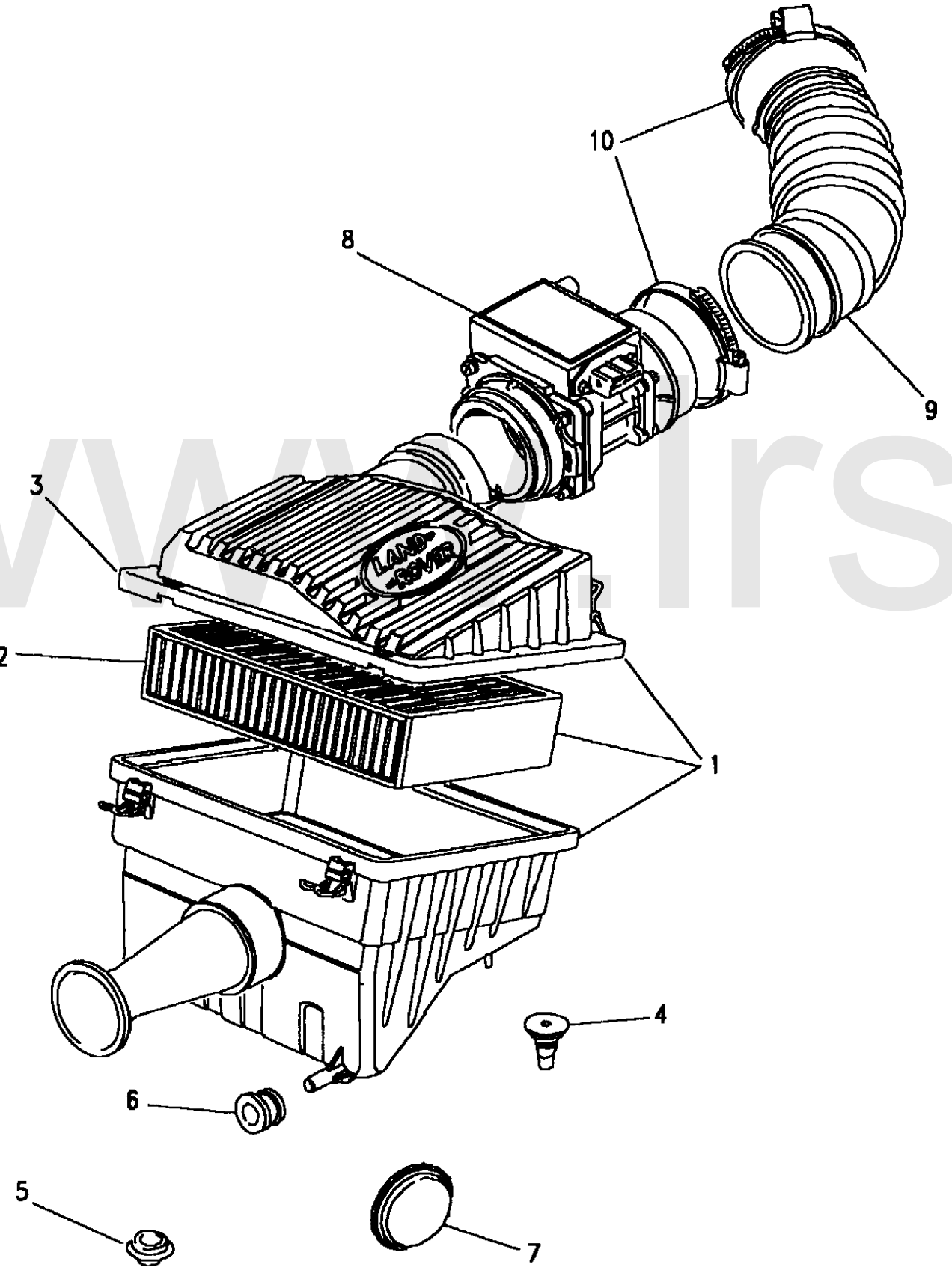
Change point - VIN begin MA081992, Petrol V8 L/R EFI

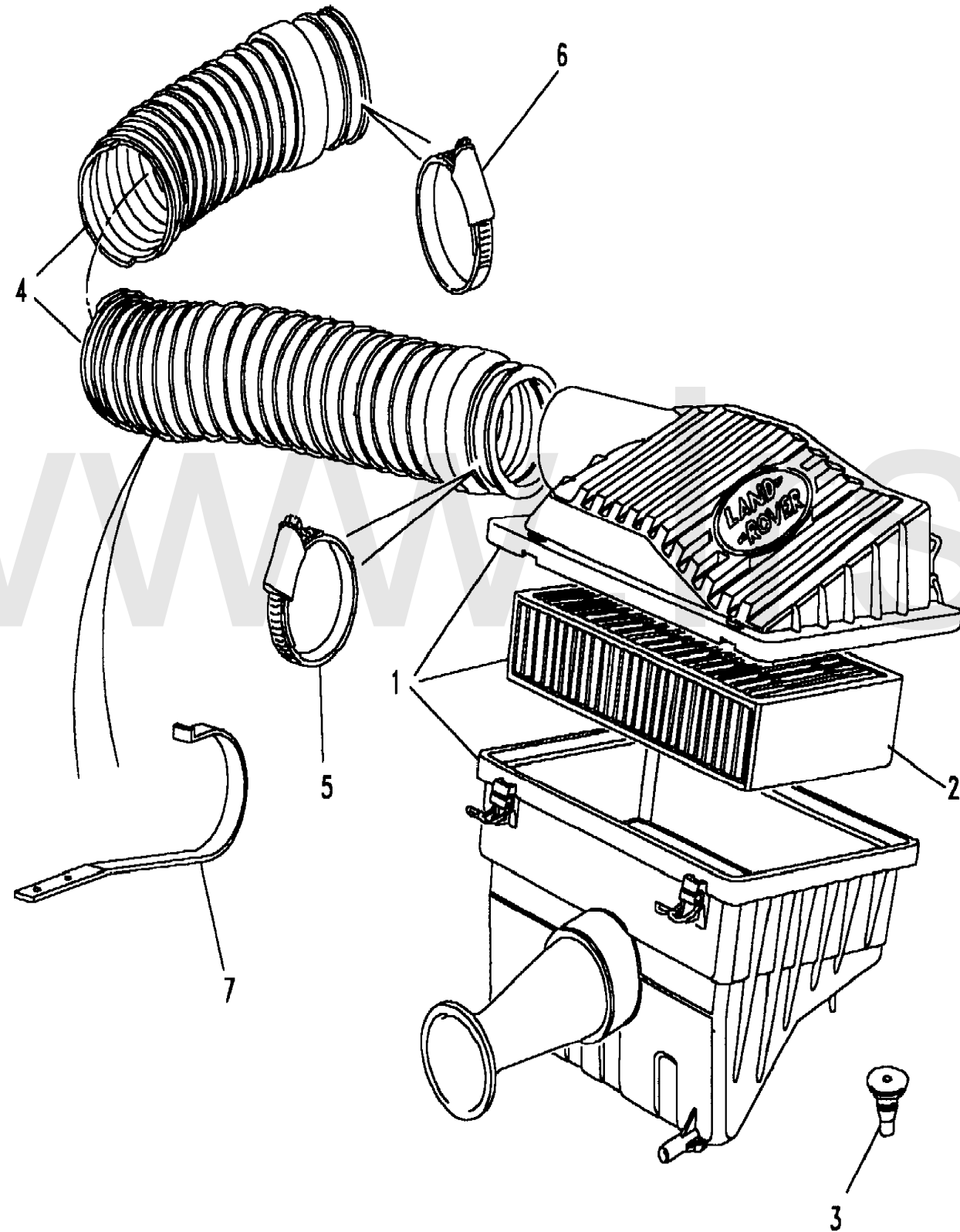
Callout	Name	Application	Remarks & Restrictions	Service No.	Qty
1	Air cleaner assembly	Change point - VIN begin MA081991, Change point - VIN end MA163103, V8 EFI Petrol		ESR1804	1
		Change point - VIN begin TA163104, V8 EFI Petrol		ESR3011	1
		Change point - VIN begin TA501920, V8 EFI Petrol		ESR3011	1
2	Element Assy - Air Cleaner	Change point - VIN begin MA081991, Change point - VIN end MA163103, V8 EFI Petrol		ESR1445	1
3	Lid-air cleaner	Change point - VIN begin MA081991, Change point - VIN end MA163103, V8 EFI Petrol		ESR3248	1
		Change point - VIN begin TA163104, V8 EFI Petrol		ESR3273	1
		Change point - VIN begin TA501920, V8 EFI Petrol		ESR3273	1
4	Grommet	Change point - VIN begin MA081991, Change point - VIN end MA163103, V8 EFI Petrol		ESR1803	2
5	Grommet-mounting air cleaner	Change point - VIN begin MA081991, V8 EFI	Front	ESR2067	2
6	Grommet	Change point - VIN begin MA081991, V8 EFI		NTC8960	2
7	Grommet-blind	Change point - VIN begin MA081991, V8 EFI		ESR2406	2
8	Sensor-airflow-multi point inject	Change point - VIN begin MA081991, Change point - VIN end MA112194, V8 EFI		ESR1057L	1
		Change point - VIN begin MA112195, V8 EFI		ERR5198	1
		Change point - VIN end RA112194, V8 EFI, (+)"CDN/MEX/USA"		ESR1057L	1
		Change point - VIN begin RA112195, Change point - VIN end SA163099, V8 EFI, (+)"CDN/MEX/USA"		ERR5198	1
		Change point - VIN begin TA163100, V8 EFI, (+)"CDN/MEX/USA"		ERR5595	1
9	Hose-duct to throttle body induction system	Change point - VIN begin MA081991, V8 EFI		ESR1807	1
		Change point - VIN begin MA112195, V8 EFI		ESR1807	1



Change point - VIN begin MA081992, Petrol V8 L/R EFI

Callout	Name	Application	Remarks & Restrictions	Service No.	Qty
10	Clip-Hose	Change point - VIN begin MA081991, V8 EFI		CN100908L	2
11	O Ring	Change point - VIN begin MA081991, V8 EFI		NTC3354	1





2.0L 4 Cyl 16v MPi T Series Pet

Callout	Name	Application	Remarks & Restrictions	Service No.	Qty
1	Air cleaner assembly	4 Cyl MPi Petrol		ESR1630	1
2	Element Assy - Air Cleaner	4 Cyl MPi Petrol		ESR1445	1
3	Grommet-mounting air cleaner	Change point - VIN begin KA037352, MPi	Front	ESR2067	1
4	Hose-duct to throttle body induction system	Change point - VIN end MA081990, MPi Change point - VIN begin MA081991, MPi		ESR1631 ESR3056	1 1
5	Clip-Hose	MPi		STC128	1
6	Clip-Hose	MPi		CN100908L	1
7	Bracket-mounting-duct induction system	Change point - VIN begin KA038822, MPi		ESR2588	2
[900]	Grommet	Change point - VIN begin KA038822, MPi		NTC8960	2

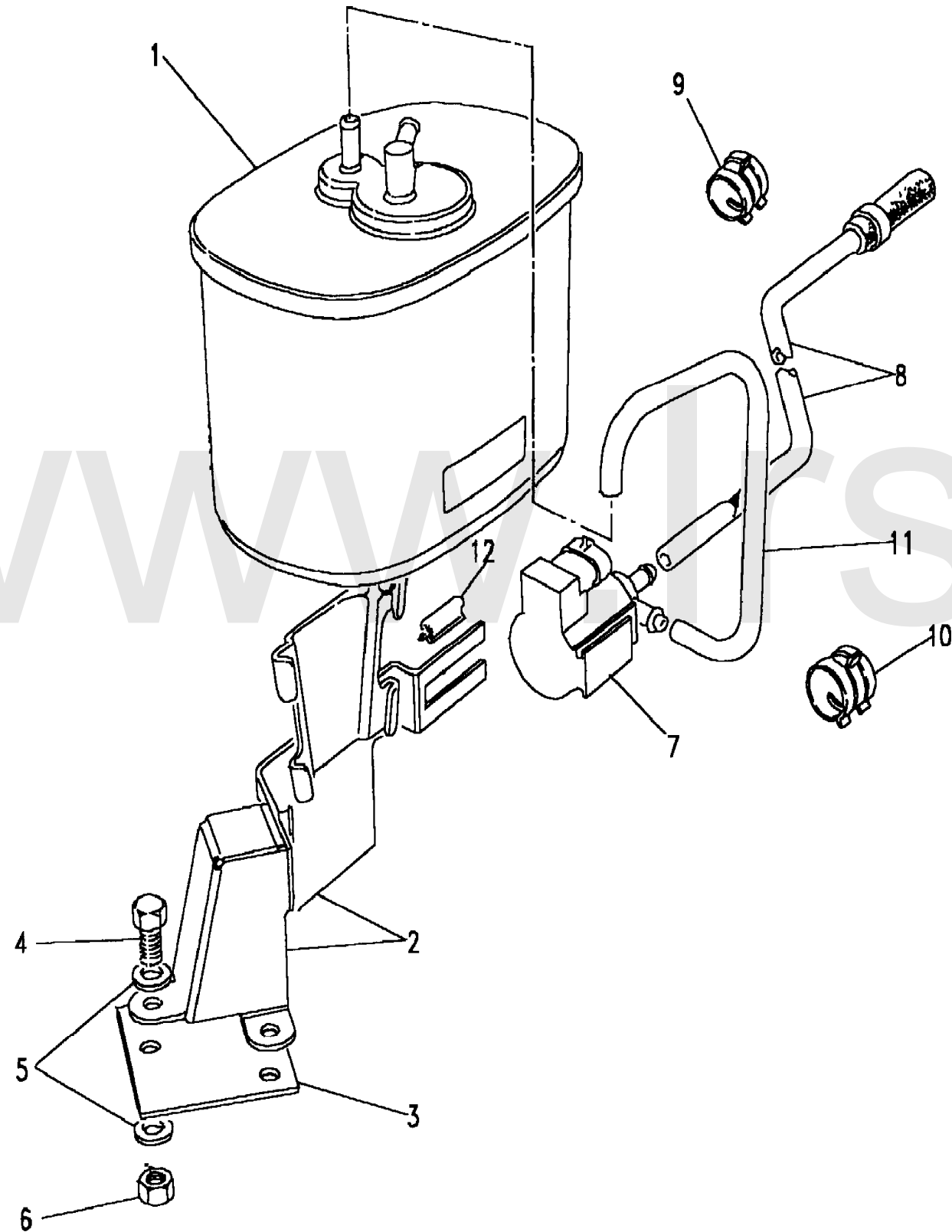
Fuel & Emission Systems
 Fuel-Air Cleaner-Evaporative Loss
 Charcoal Canister 1/1

Discovery (FA393361-WA799999)
 (CAJXTA1A)

Discovery (FA393361-WA799999)

Fuel & Emission Systems
 Fuel-Air Cleaner-Evaporative Loss
 Charcoal Canister

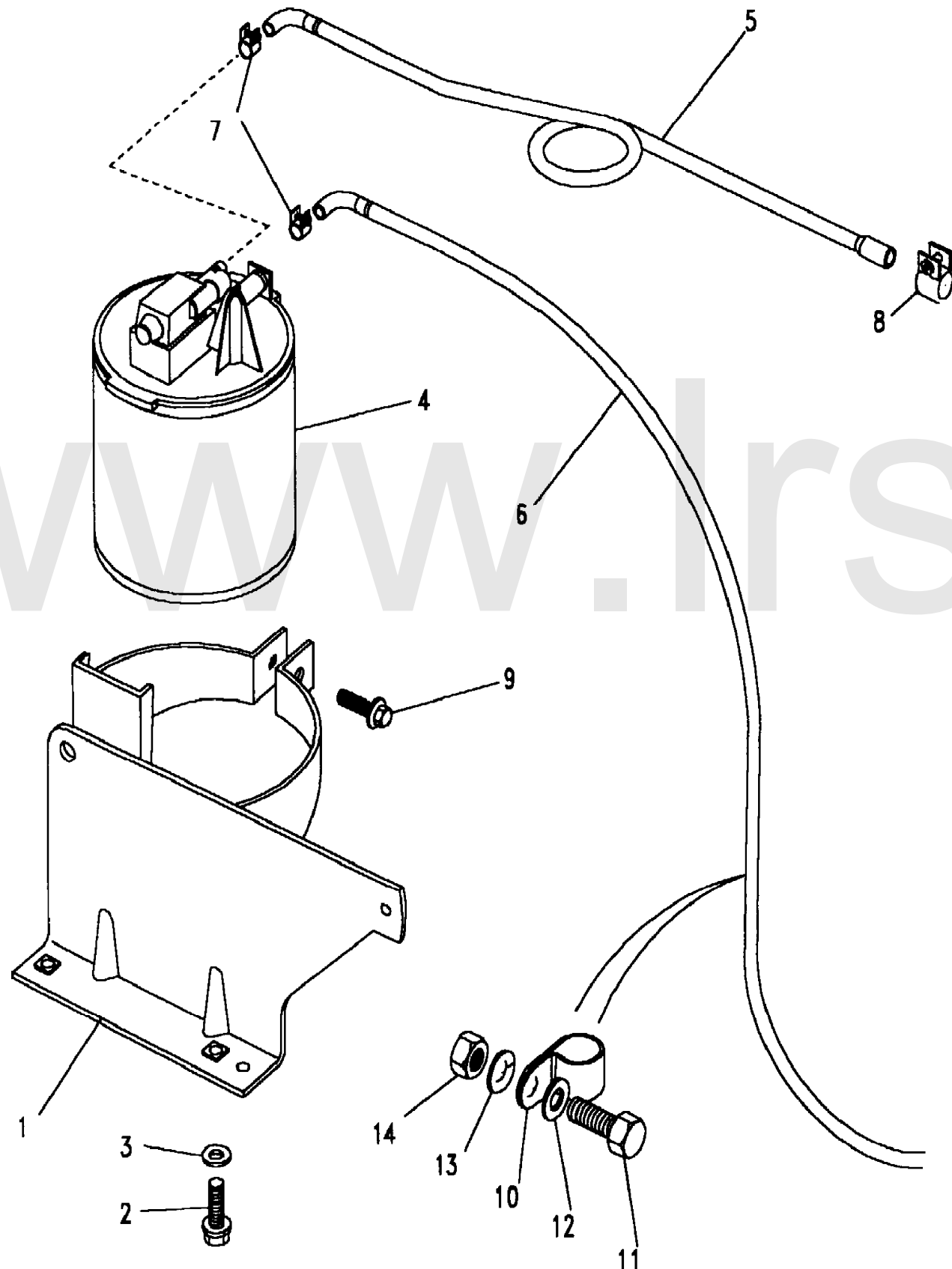
Change point - VIN end JA034313, Petrol V8 L/R

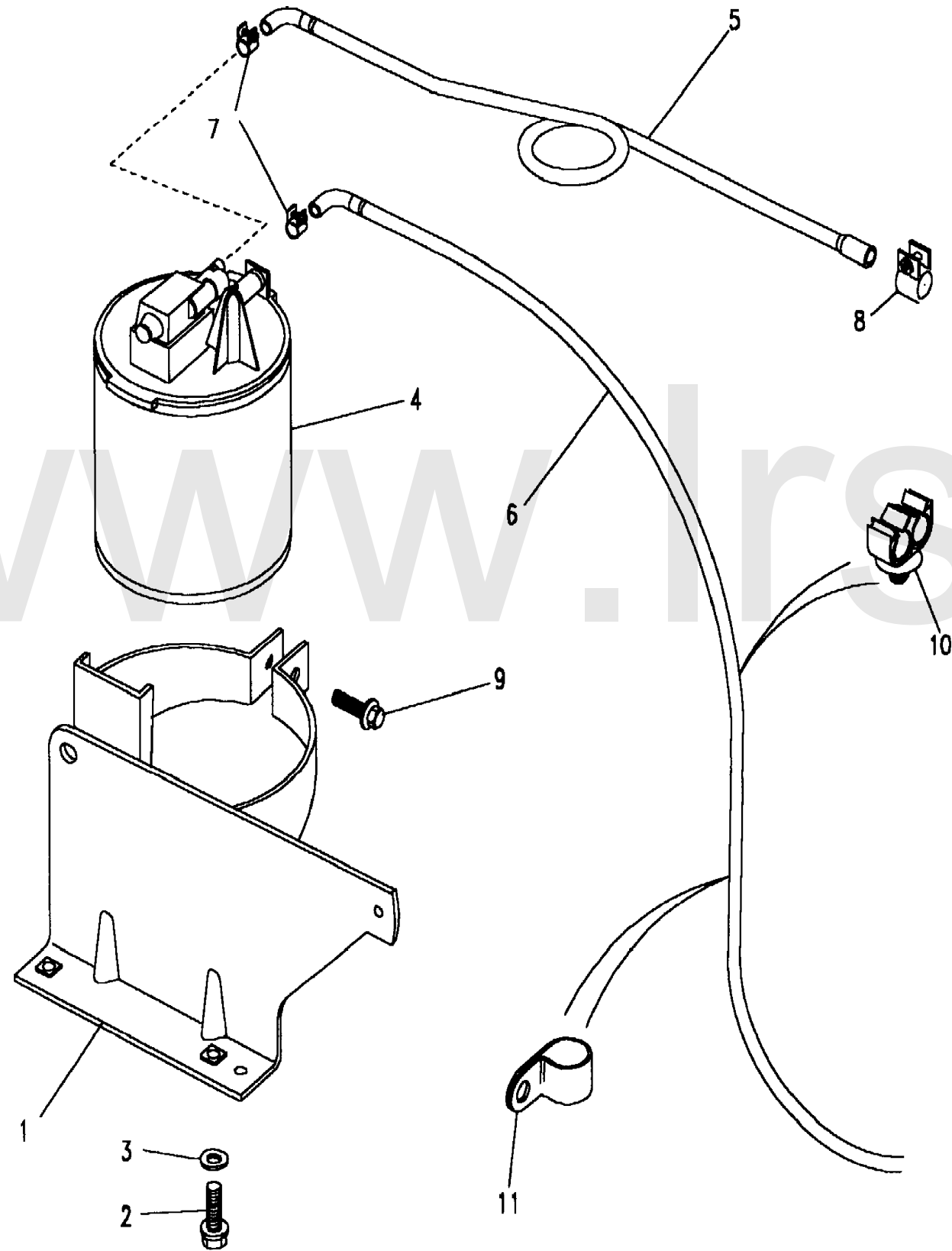


Callout	Name	Application	Remarks & Restrictions	Service No.	Qty
1	Canister charcoal	V8 Petrol		NTC5179	1
2	Bracket-charcoal canister	V8		NTC5567	1
3	Plate-charcoal canister bracket stiffening	V8		NRC2268	1
4	Screw-flanged head	V8	M6 X 16, Flanged Head	FS106167L	2
5	Washer	V8	M6	WA106051L	4
6	Nut - Hex.	V8	M6, nyloc, Hexagonal	NH106041L	2
7	Soleniod-charcoal canister	V8		NTC5415	1
8	Pipe Fuel	V8		NTC5454	1
9	Clip-Hose	V8		UKC3793L	1
10	Clip-Hose	V8	12.7MM	UKC3795L	1
11	Pipe Fuel	V8		NTC5455	1
12	Clip	V8		NTC5562	1

Change point - VIN begin KA034314, Petrol V8 L/R

Callout	Name	Application	Remarks & Restrictions	Service No.	Qty
1	Bracket-charcoal canister	V8		ESR1697	1
2	Screw-flanged head	V8	M6 X 16, Flanged Head	FS106167L	2
3	Washer	V8	6MM	WA106041L	2
4	Canister assembly charcoal	V8 Petrol		ESR2218	1
5	Pipe assembly-purge	Change point - VIN begin KA034314, V8 Change point - VIN begin VA534104, V8 Change point - VIN begin VA703236, V8		ERR6189 ERR6189 ERR6189	1 1 1
6	Pipe assembly-evap/vs to canister	V8		ESR2219	1
7	Clip-Hose	V8		UKC3793L	2
8	Clip-Hose	V8	12.7MM	UKC3795L	1
9	Screw	V8	M8 x 25, Flanged Head	FS108257L	1
10	Clip-p	V8		AEU1448	1
11	Screw	V8	hexagonal head, M5 x 20	SH105201L	1
12	Washer	V8	M5, Plain, Standard	WA105001L	1
13	Washer	V8	M5, retaining	WL105001L	1
14	Nut-hexagonal	V8	M5	NH105041L	1
[900]	Pipe assembly-charcoal canister vacuum switch to manifold			ESR1683	1
[901]	Canister charcoal	V8 Petrol		ESR1190	1





2.0L 4 Cyl 16v MPi T Series Pet

Callout	Name	Application	Remarks & Restrictions	Service No.	Qty
1	Bracket-charcoal canister	MPi		ESR1670	1
2	Screw-flanged head	MPi	M6 X 16, Flanged Head	FS106167L	2
3	Washer	MPi	6MM	WA106041L	2
4	Canister assembly charcoal	4 Cyl MPi Petrol		ESR2218	1
5	Pipe assembly-charcoal canister vacuum switch to manifold	MPi	canister to plenum	ESR1683	1
6	Pipe assembly-evap/vs to canister	MPi	separator to canister	ESR2219	1
7	Clip-Hose	MPi		UKC3793L	2
8	Clip-Hose	MPi	12.7MM	UKC3795L	1
9	Screw	MPi	M8 x 25, Flanged Head	FS108257L	1
10	Clip	MPi	Double, 6 - 8MM	ESR1373	6
11	Clip-p	MPi	5/16"	BAU1689	1
[900]	Canister charcoal	4 Cyl MPi Petrol		ESR1190	1
[901]	Cap-plenum pipe	Change point - VIN begin KA038822, MPi		ESR2738	1

Fuel & Emission Systems
 Fuel-Air Cleaner-Evaporative Loss
 Fuel Vapour Storage Cannister 1/1

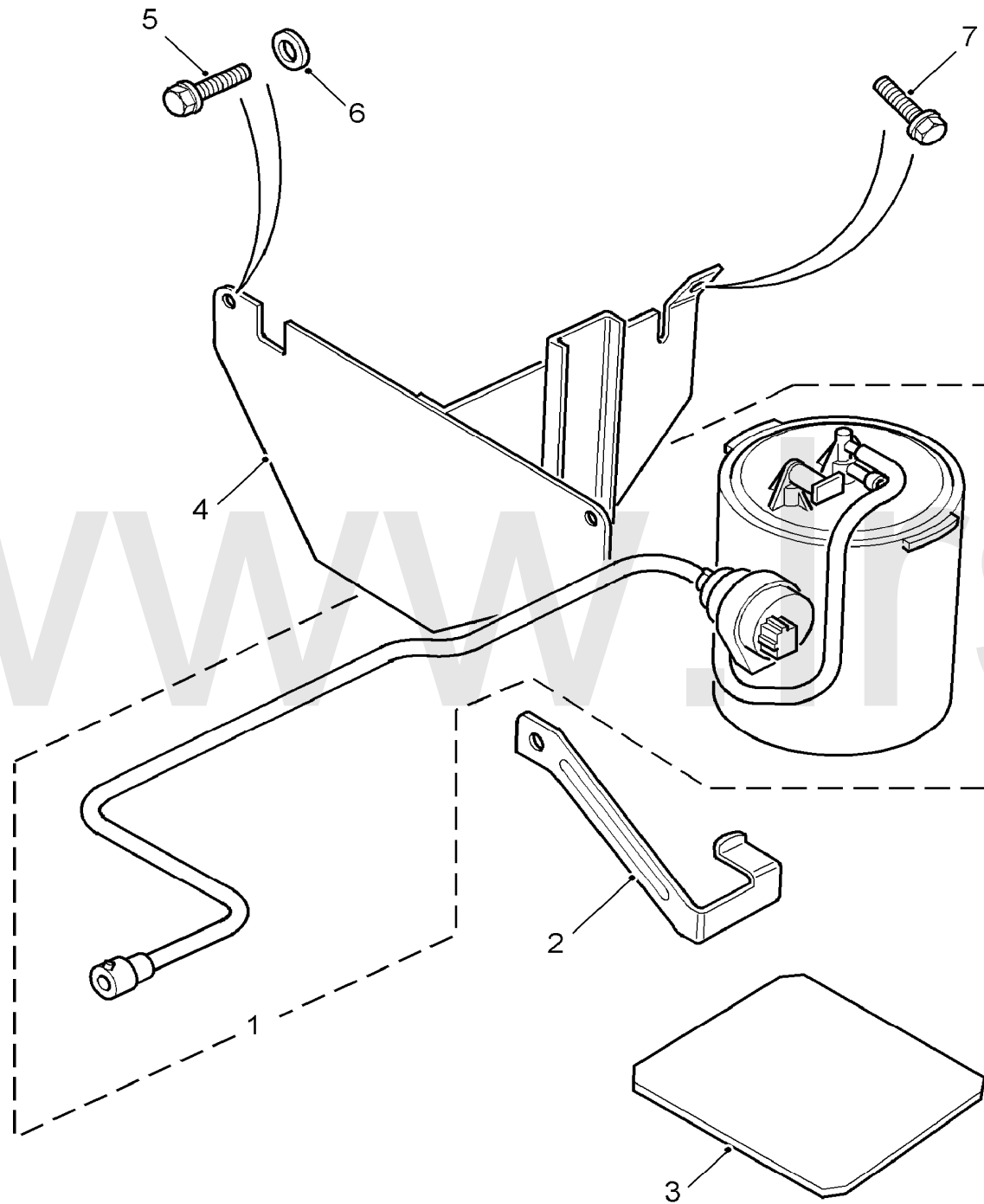
Discovery (FA393361-WA799999)
 (CDJXTA4B)

Discovery (FA393361-WA799999)

Fuel & Emission Systems
 Fuel-Air Cleaner-Evaporative Loss
 Fuel Vapour Storage Cannister

Change point - VIN begin TA163100, Change point - VIN begin TA501920,
 (+)"CDN/MEX/USA"

Callout	Name	Application	Remarks & Restrictions	Service No.	Qty
1	Cannister - Fuel Vapour Store	Change point - VIN end TA194199		ESR3480	1
		Change point - VIN end TA525033		ESR3480	1
		Change point - VIN begin TA194200		ESR4017	1
		Change point - VIN begin TA525034		ESR4017	1
2	Bracket			ESR3478	1
4	Bracket			ESR3860	1
5	Screw			FS106167L	2
7	Screw			FS108251L	1



I01.046
 11-2002
 L4
 CDJXTA4B

Fuel & Emission Systems
 Fuel-Air Cleaner-Evaporative Loss
 Fuel Vapour Storage Cannister 1/1

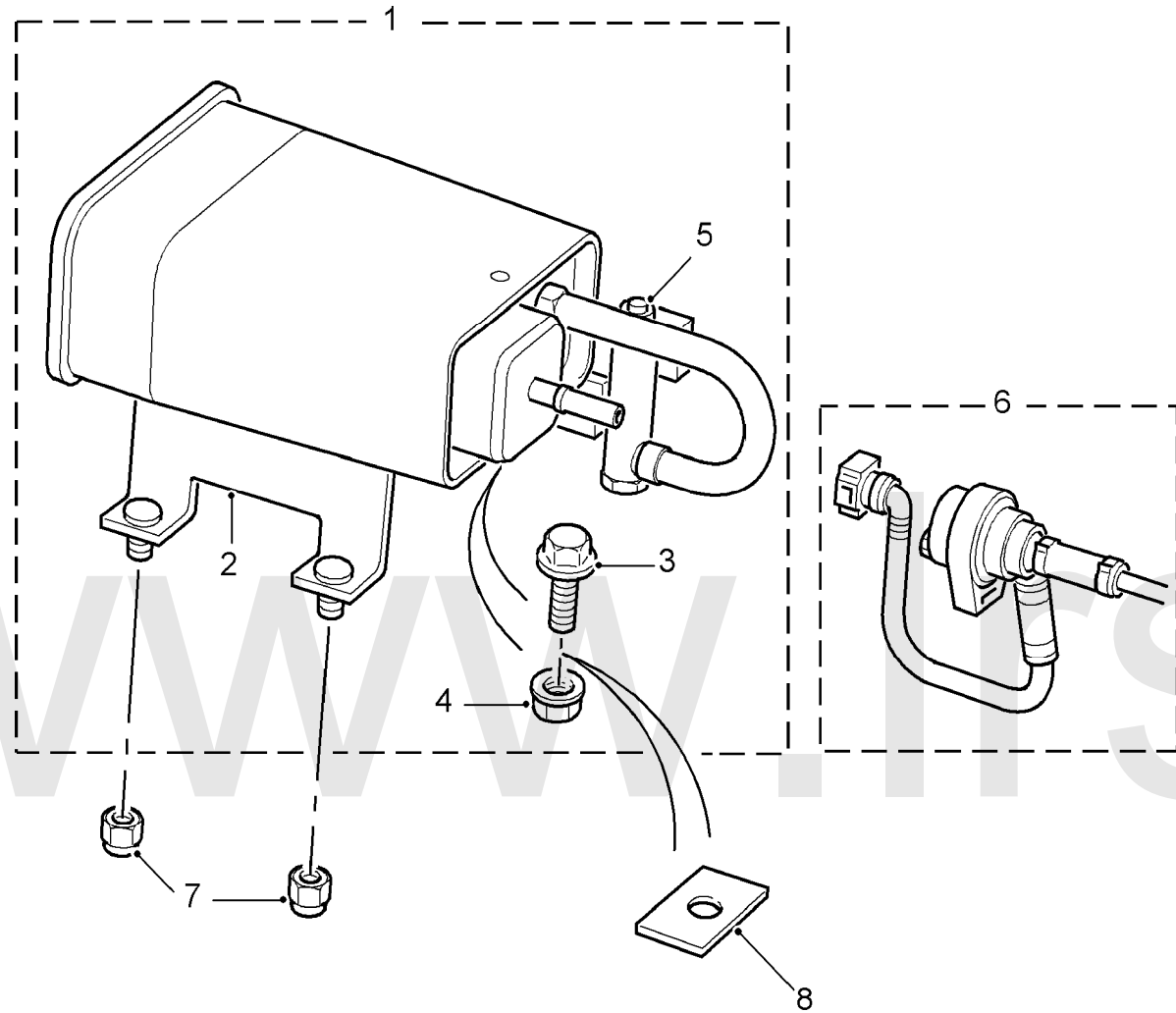
Discovery (FA393361-WA799999)
 (CDJXTA1A)

Discovery (FA393361-WA799999)

Fuel & Emission Systems
 Fuel-Air Cleaner-Evaporative Loss
 Fuel Vapour Storage Cannister

3.9/4.0 V8 Petrol Efi, (+)"CDN/MEX/USA"

Callout	Name	Application	Remarks & Restrictions	Service No.	Qty
1	Cannister - Fuel Vapour Store			WTB101350	1
2	Bracket			ESR3742	1
3	Screw		M5 x 16	FS105167	1
4	Nut		M5	FN105047	1
6	Valve Assy			ESR3980	1
7	Nut		M8	NY108041	3
8	Retainer			ESR3745	1



I01.047
 11-2002
 L4
 CDJXTA1A

Fuel & Emission Systems
Fuel-Air Cleaner-Evaporative Loss
Evap Loss Control System 1/1

Discovery (FA393361-WA799999)

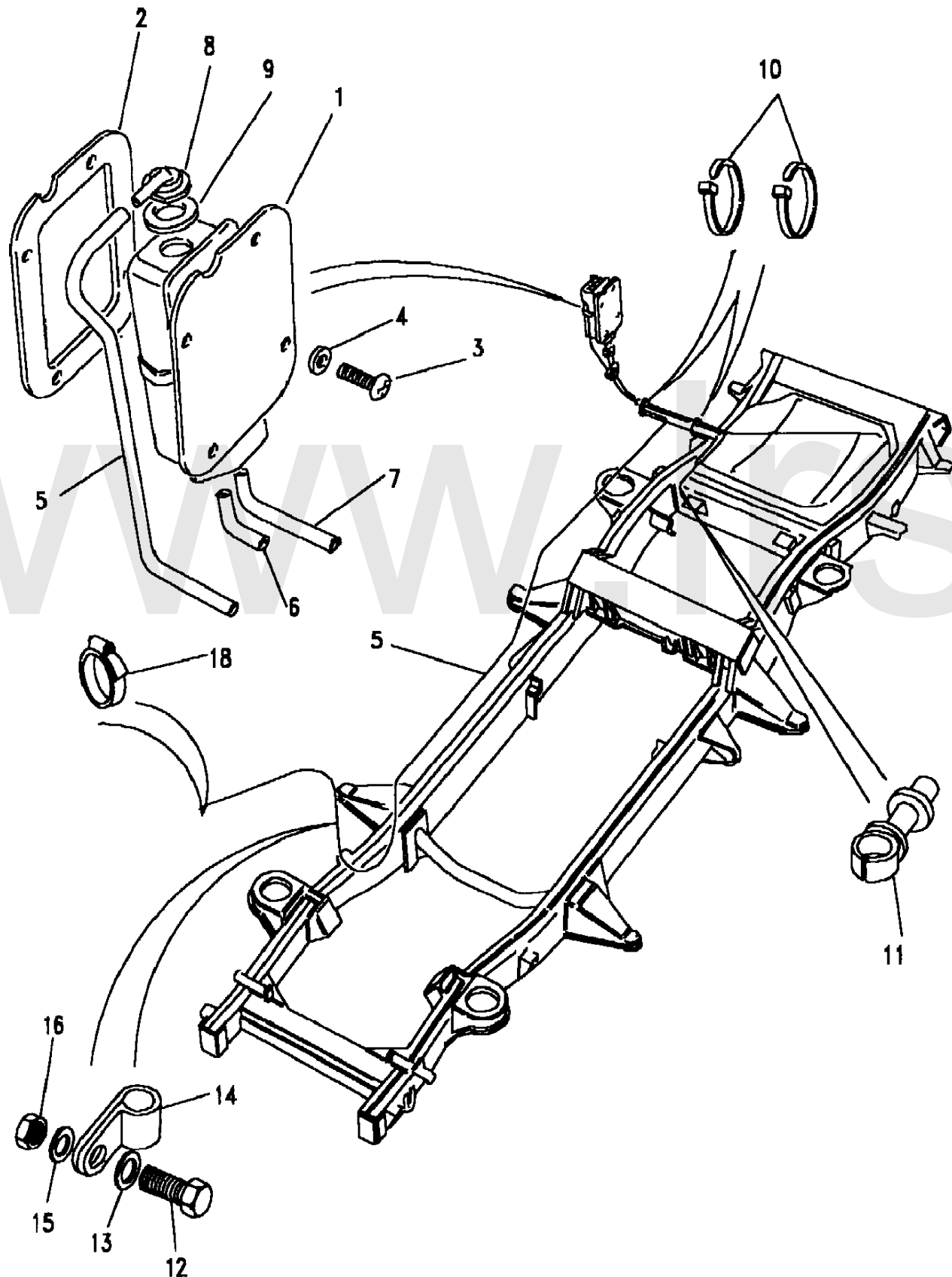
(CAJXTA2A)

Discovery (FA393361-WA799999)

Fuel & Emission Systems
Fuel-Air Cleaner-Evaporative Loss
Evap Loss Control System

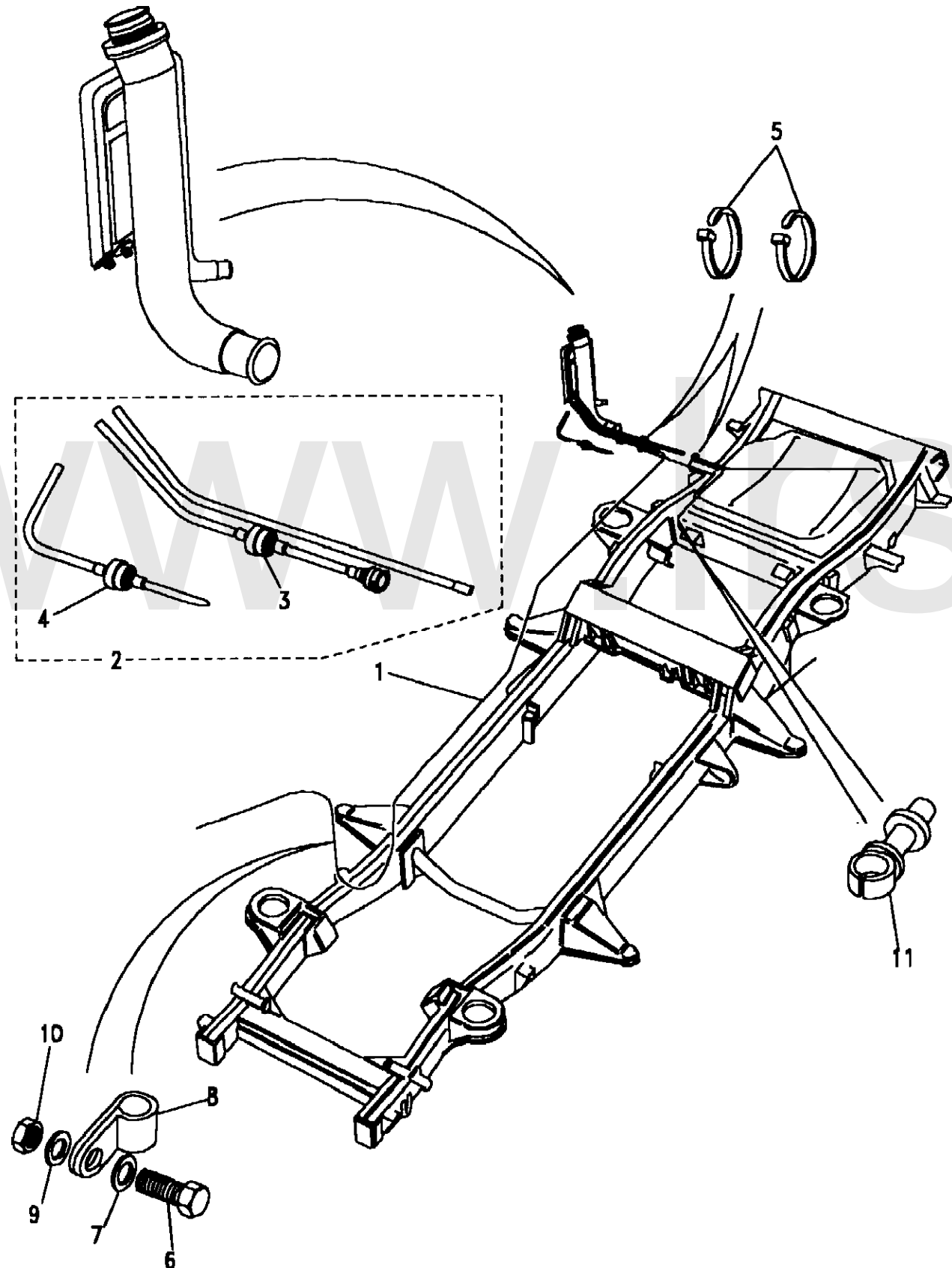
Change point - VIN end JA034313, Petrol V8 L/R

Callout	Name	Application	Remarks & Restrictions	Service No.	Qty
1	Separator-vapour fuel filler	V8		ESR167	1
2	Seal	V8		ESR161	1
3	Screw	V8	pan head, M5 x 12	SE105121L	4
4	Washer	V8	M5, retaining	WL105001L	4
5	Pipe assembly-canister to separator	V8		NTC7491	1
6	Pipe assembly-seperator to atmosphere	V8		NTC7493	1
7	Pipe assembly-tank to separator	V8		NTC7492	1
8	Valve-fuel cut fuel tank	V8		NTC4517	1
9	Grommet	V8		NTC4627	1
10	Tie-cable	V8	4.8 x 270mm, inside serated	568680	2
11	Clip	V8	8MM	79122	1
12	Screw	V8		78177	1
13	Washer-Plain	V8		WC702101L	1
14	Clip-p	V8		AEU1448	4
15	Washer-Spring	V8	3/16 dia, Square	WM702001L	1
16	Nut - Hex.	V8		RTC608	1
17	Pipe Fuel	V8		NTC7497	1
18	Clip-Hose	V8		CN100128L	1
19	Pipe-breather fuel tank	V8		NTC7487	1



Change point - VIN begin KA034314, Petrol V8 L/R

Callout	Name	Application	Remarks & Restrictions	Service No.	Qty
1	Pipe assembly-evap/vs to canister	V8	separator to canister	ESR2219	1
		Change point - VIN end SA501919, V8, (+)"CDN/MEX/USA"	separator to canister	ESR2219	1
		Change point - VIN begin TA501920, V8, (+)"CDN/MEX/USA"	separator to canister	ESR3373	1
2	Pipe fuel filler	V8, For Unleaded Fuel V8	separator to canister	ESR1897	1
			separator to canister, leaded	ESR1899	1
3	Valve-vapour pressure relief	V8		NTC7567	1
5	Tie-cable	V8	separator to canister, 4.8 x 270mm, inside serated	568680	2
6	Screw			78177	1
7	Washer-Plain			WC702101L	1
8	Clip-p			AEU1448	1
9	Washer-Spring		3/16 dia, Square	WM702001L	1
10	Nut - Hex.			RTC608	1
11	Clip	V8	separator to canister, 8MM	79122	1



Fuel & Emission Systems
 Fuel-Air Cleaner-Evaporative Loss
 Evap Loss Control System 1/1

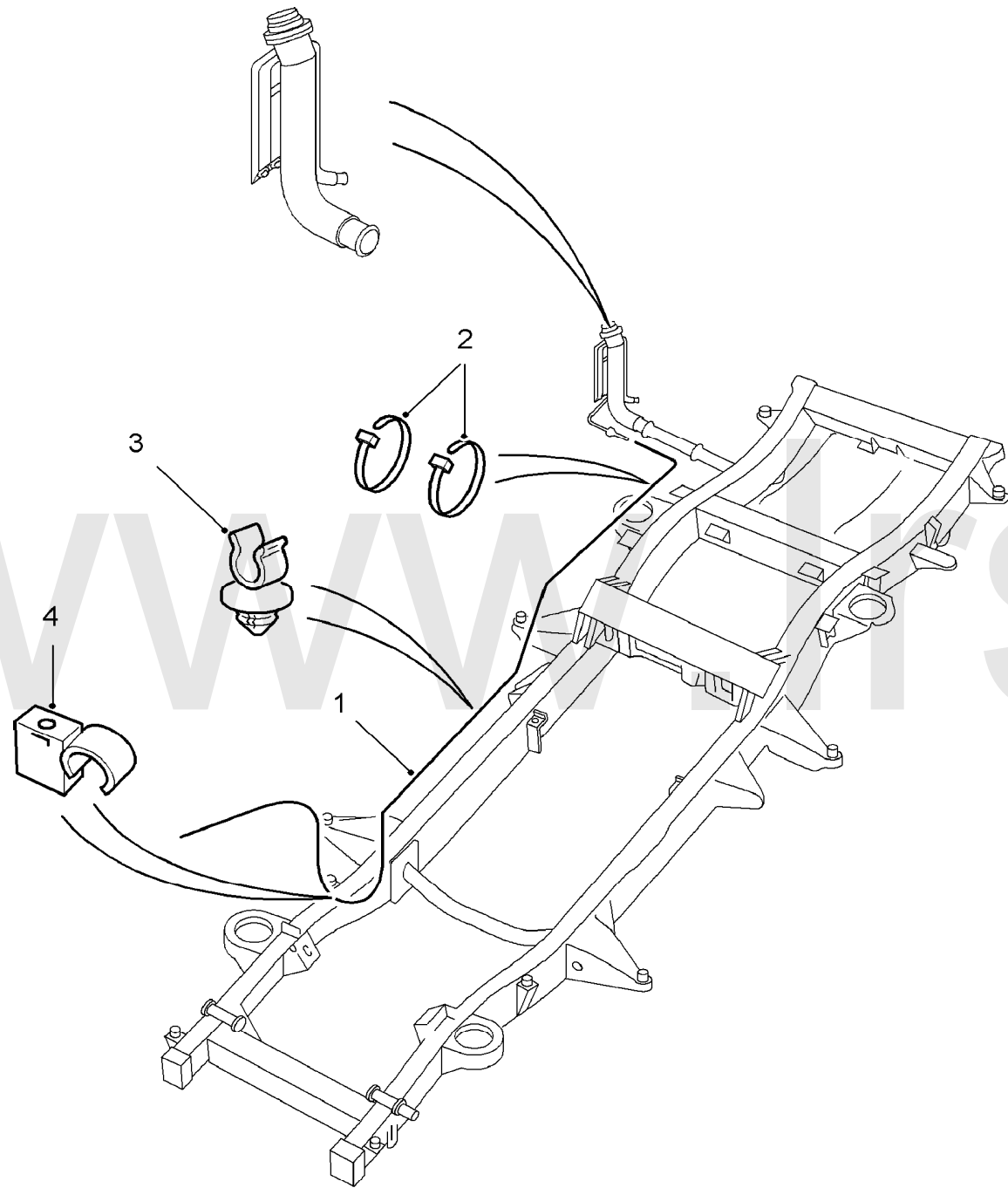
Discovery (FA393361-WA799999)
 (CDJXTA3B)

Discovery (FA393361-WA799999)

Fuel & Emission Systems
 Fuel-Air Cleaner-Evaporative Loss
 Evap Loss Control System

3.9/4.0 V8 Petrol Efi, (+)"CDN/MEX/USA"

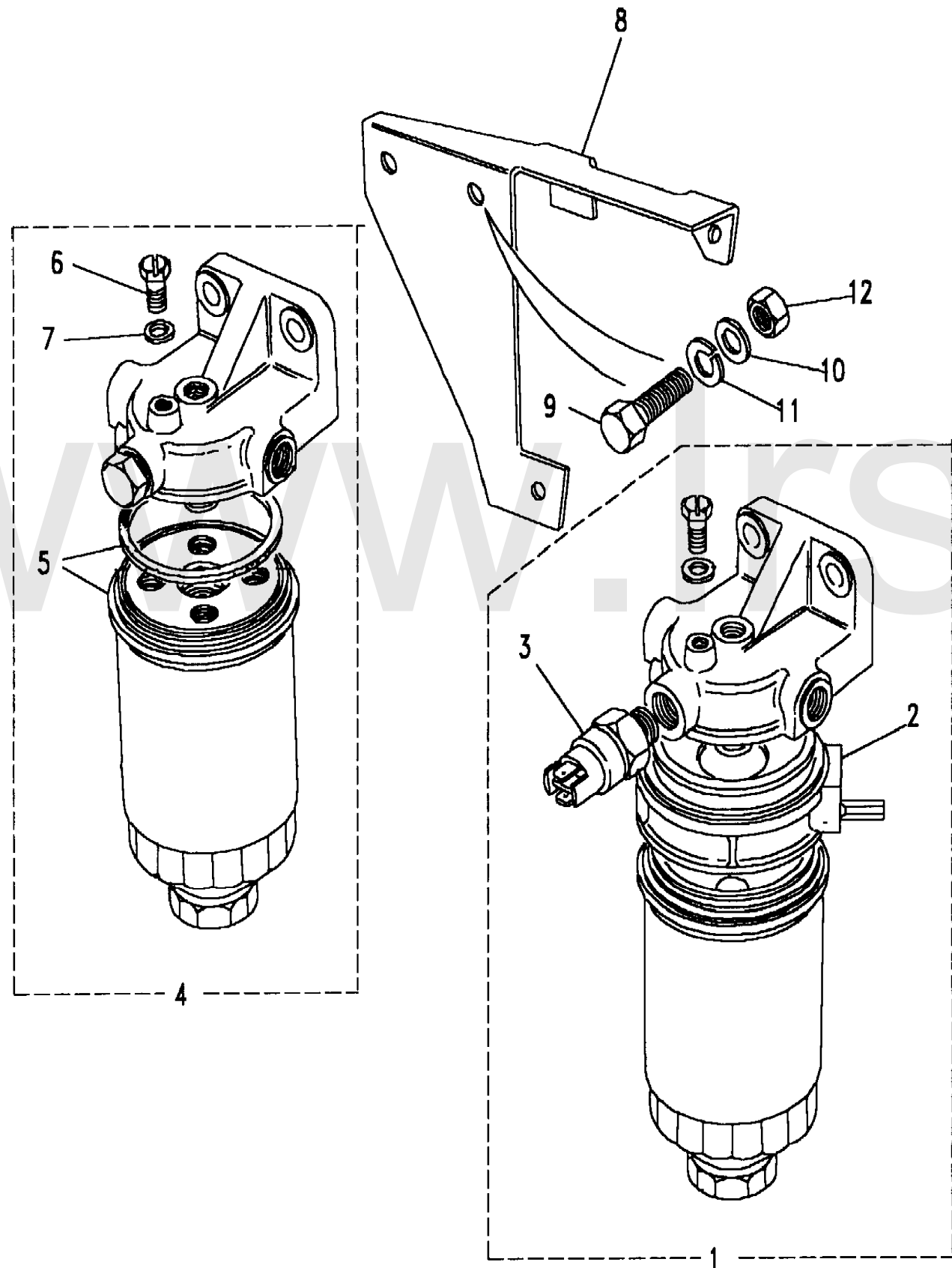
Callout	Name	Application	Remarks & Restrictions	Service No.	Qty
1	Pipe Assy			ESR3708	1
2	Strap Assy			568680	2
3	Clip - Retaining			MXC1848	10
4	Clip - Retaining		Stud Fixing, 8M	ESR2052	1

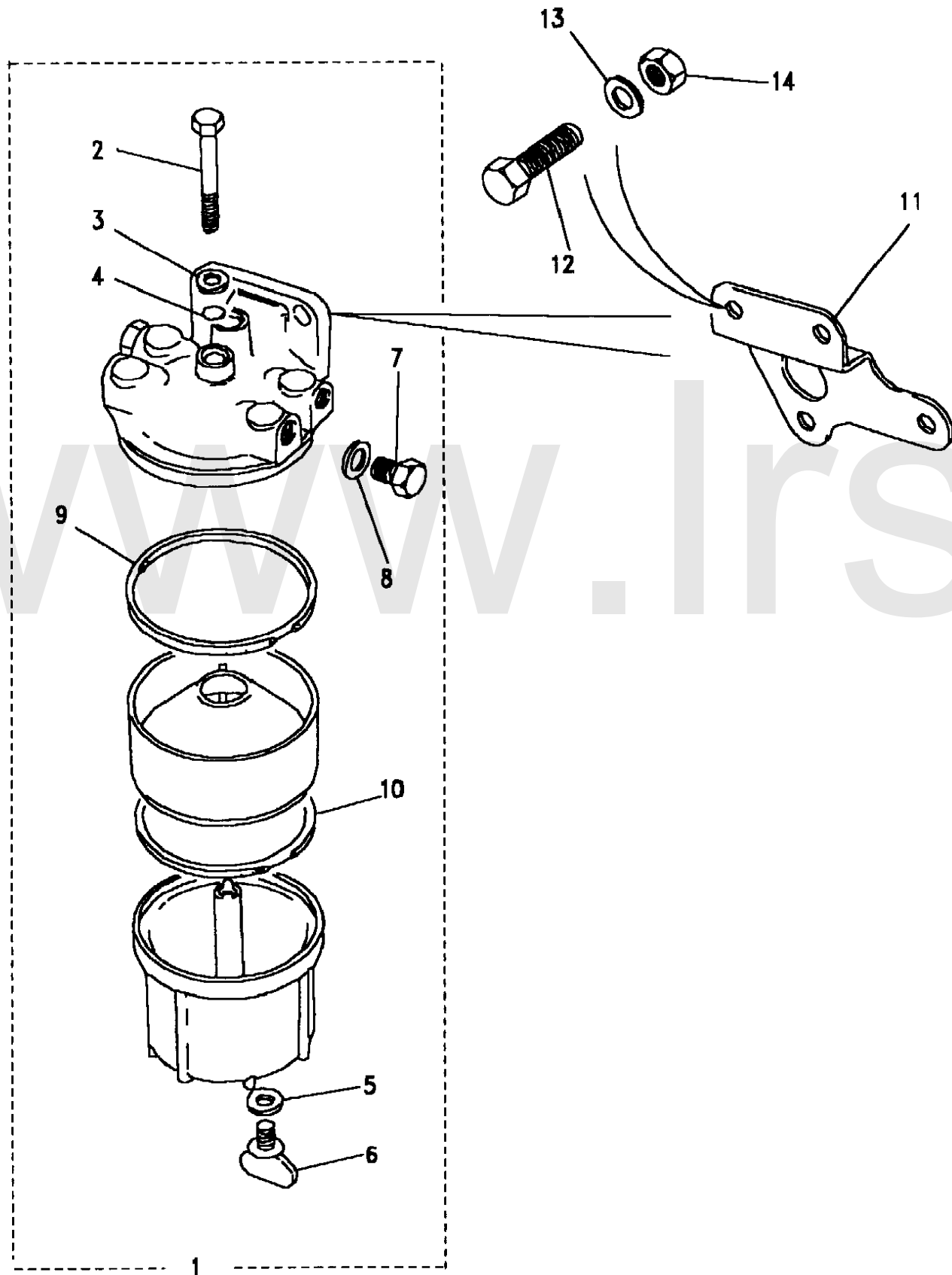


I01.056
 11-2002
 L4
 CDJXTA3B

With Diesel Engines

Callout	Name	Application	Remarks & Restrictions	Service No.	Qty
1	Filter assembly-in line fuel lines		With Cold Climate, Heated	RTC4939	1
2	Cartridge-diesel fuel filter		With Cold Climate, Heated	RTC5938	1
3	Switch-heater fuel filter		With Cold Climate, Heated	STC612	1
4	Filter assembly-fuel.		unheated	NTC1518	1
5	Cartridge-diesel fuel filter		unheated	AEU2147L	1
6	Screw-bleed		unheated	AEU2148L	1
7	Washer-sealing		unheated	AEU2149L	1
8	Bracket-fuel filter			NTC2873	1
9	Screw		hexagonal head, M10 x 25	SH110251L	2
10	Washer		M10	WA110061L	2
11	Washer		M10	WL110001L	2
12	Nut - Hex.		M10, hexagonal head, Coarse Thread	NH110041L	2



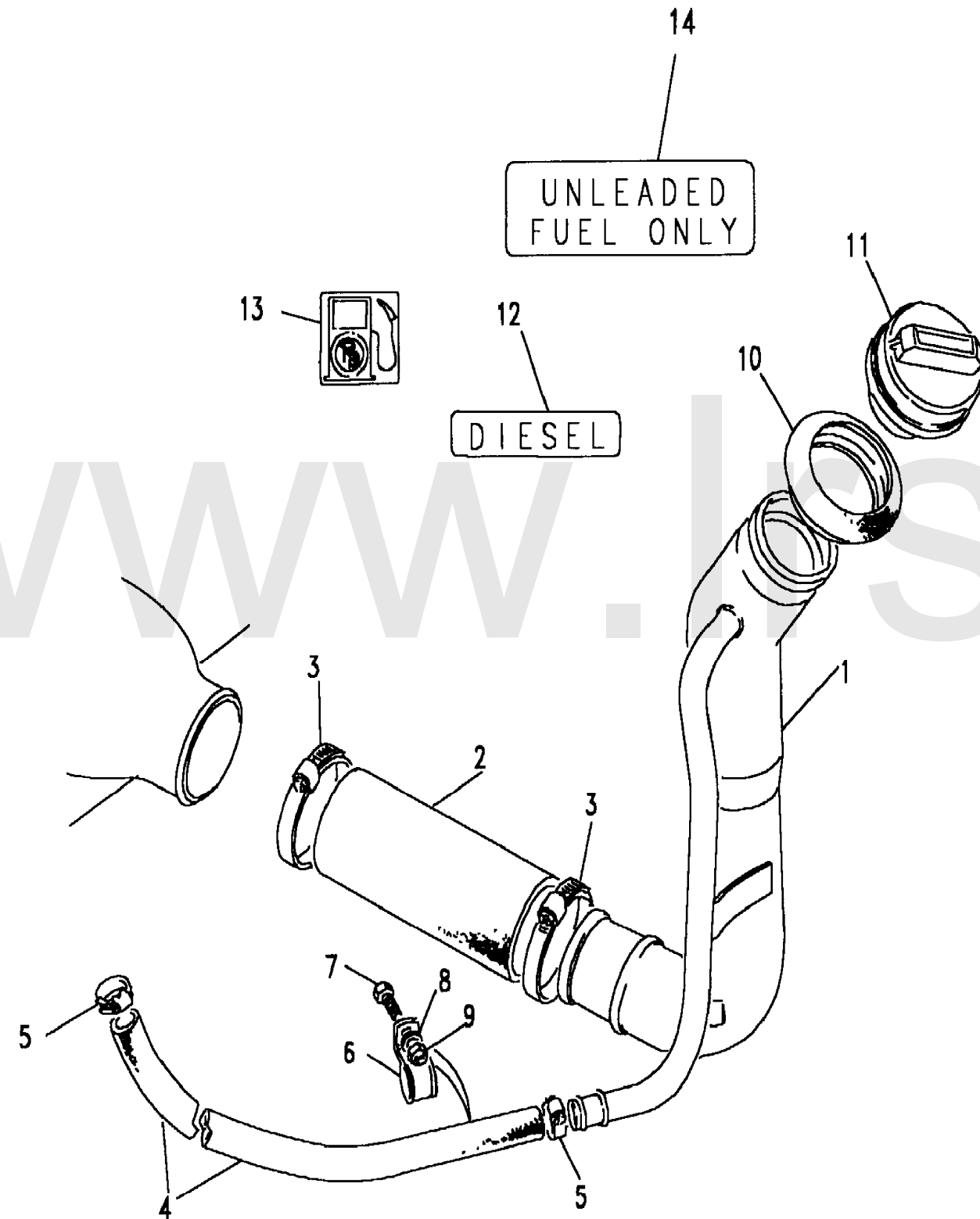


With Diesel Engines

Callout	Name	Application	Remarks & Restrictions	Service No.	Qty
1	Filter/sedimentor assembly-diesel			NRC9708	1
2	Bolt			37H8119L	1
3	Washer			522940	1
4	O Ring			37H770	1
5	Seal		Rubber	605011	1
6	Plug-Drain			37H7920	1
7	Plug-blanking			517689	2
8	Washer		Aluminium	517706	2
9	Seal		diesel fuel sedimentor upper, top	AAU9903	1
10	Seal		diesel fuel sedimentor lower, bottom	AAU9902	1
11	Bracket-fuel filter support			NTC7646	1
12	Screw		sedimentor to bracket mounting, hexagonal head, M10 x 25	SH110251L	2
13	Washer-Plain			WA110051	2
14	Nut - Hex.		M10, hexagonal head, Coarse Thread	NH110041L	2

Fuel & Emission Systems
 Fuel-Air Cleaner-Evaporative Loss
 Fuel Filler 1/1

Discovery (FA393361-WA799999)
 (CAJXCA1A)



Discovery (FA393361-WA799999)

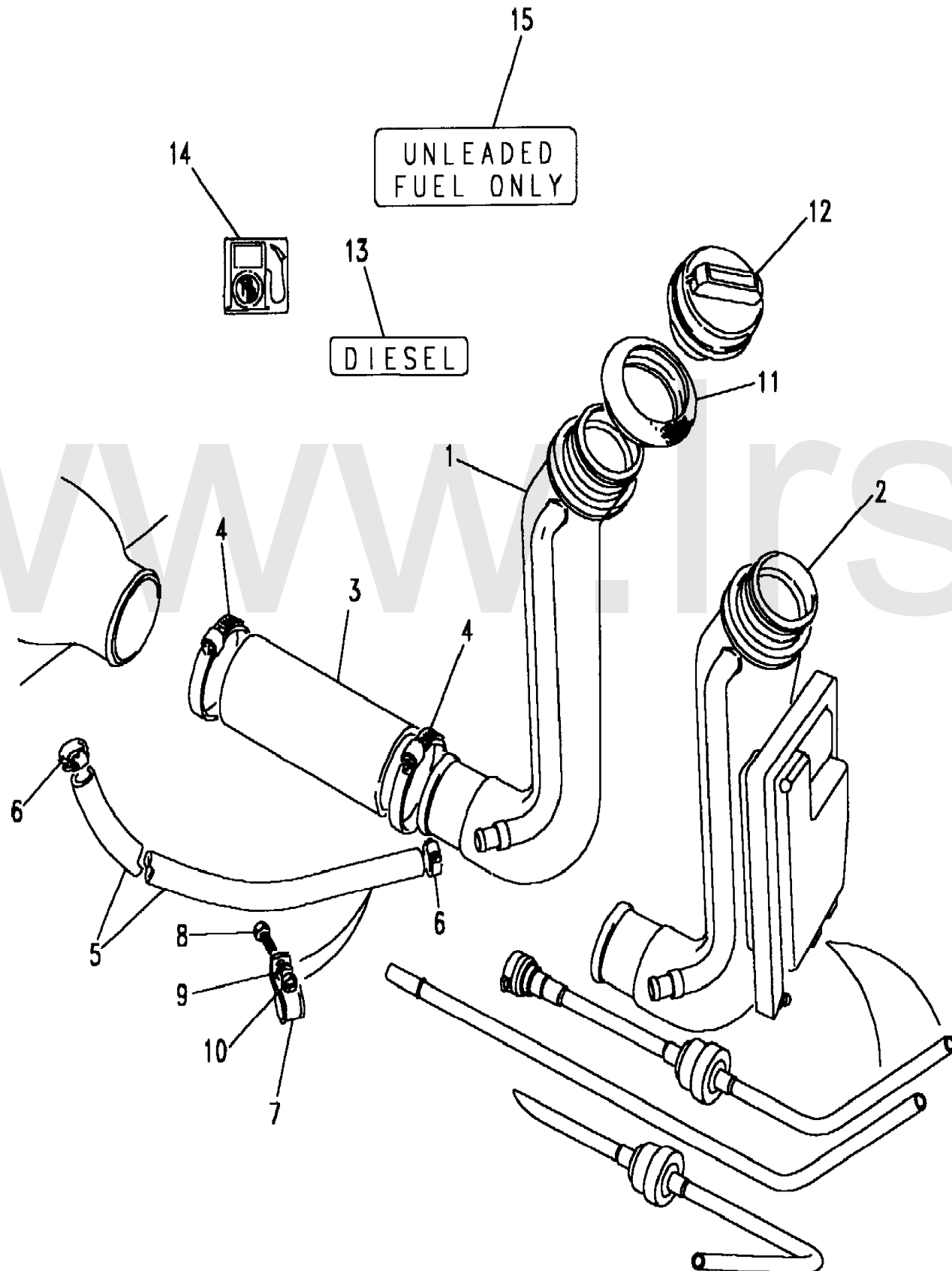
Fuel & Emission Systems
 Fuel-Air Cleaner-Evaporative Loss
 Fuel Filler

Change point - VIN end JA034313

Callout	Name	Application	Remarks & Restrictions	Service No.	Qty
1	Pipe fuel filler		leaded leaded	NTC7311 ESR1895 NTC7312 ESR1896	1 1 1 1
		For Unleaded Fuel For Unleaded Fuel			
2	Hose-filler fuel filler			NTC5430 NTC5430 ESR2834	1 1 1
		Change point - VIN end LA074241 Change point - VIN end JA034313 Change point - VIN begin LA074242			
3	Clip-Hose		60MM	PYC101120L	2
4	Hose assembly-breather fuel			NTC5424	1
5	Tie-cable		inside serated, 4.6 x 385mm, White.	594594	2
6	Clip			NTC6891	1
7	Screw-flanged head		M6 X 16, Flanged Head	FS106167L	1
8	Washer		6MM	WA106041L	1
9	Nut - Hex.		M6, hexagonal head, nyloc	NY106047L	1
10	Grommet			NTC5916	1
11	Cap-filler fuel filler		non-locking, English-language warning label	NTC5418	1
12	Label-caution fuel filler			NTC7349	1
13	Label-caution fuel filler			NTC7503	1
14	Label-unleaded fuel only warning	EFI, With Catalyst		ESR387	1

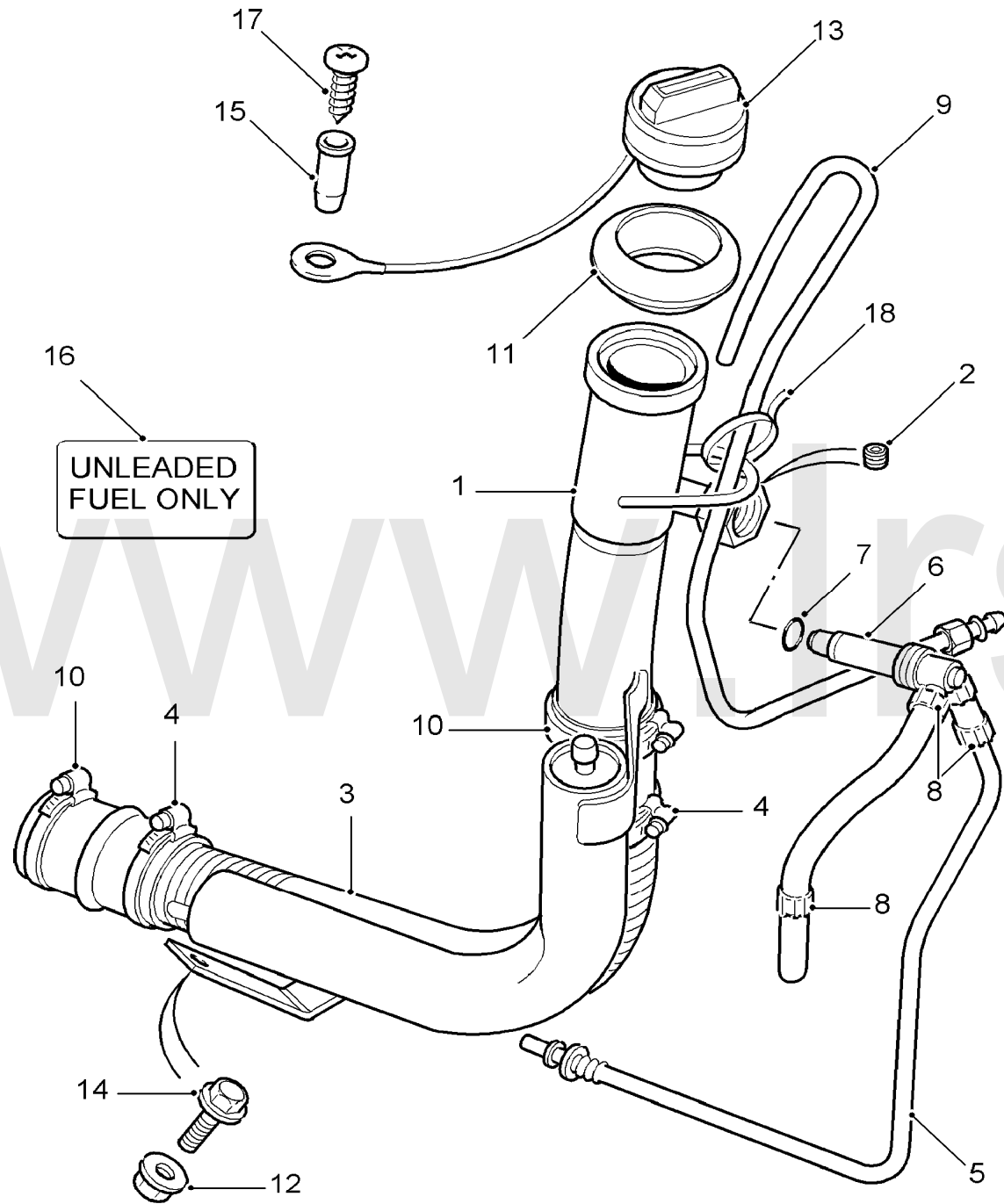
Change point - VIN begin KA034314

Callout	Name	Application	Remarks & Restrictions	Service No.	Qty
1	Pipe fuel filler	With Diesel Engines For Unleaded Fuel	leaded	ESR1895 ESR1896	1 1
2	Pipe fuel filler	For Unleaded Fuel	leaded	ESR1899 ESR1897	1 1
3	Hose-filler fuel filler	Change point - VIN begin KA034314, Change point - VIN end LA074241 Change point - VIN begin LA074242		ESR1929 ESR2834	1 1
4	Tie-cable			PYC101120L	2
5	Hose assembly-breather fuel		(-) MPI	ESR1056	1
		MPI		NTC5424	1
6	Nut - Hex.		M6, hexagonal head, nyloc	NY106047L	1
7	Clip			NTC6891	1
8	Screw-flanged head		M6 X 16, Flanged Head	FS106167L	1
9	Washer		6MM	WA106041L	1
10	Clip-Hose			STC128	2
11	Grommet			NTC5916	1
12	Cap-filler fuel filler		non-locking, English-language warning label	NTC5418	1
13	Label-caution fuel filler			NTC7349	1
14	Label-caution fuel filler			NTC7503	1
15	Label-unleaded fuel only warning			ESR387	1
[903]	Valve-vapour pressure relief			NTC7567	1



3.9/4.0 V8 Petrol Efi, (+)"CDN/MEX/USA"

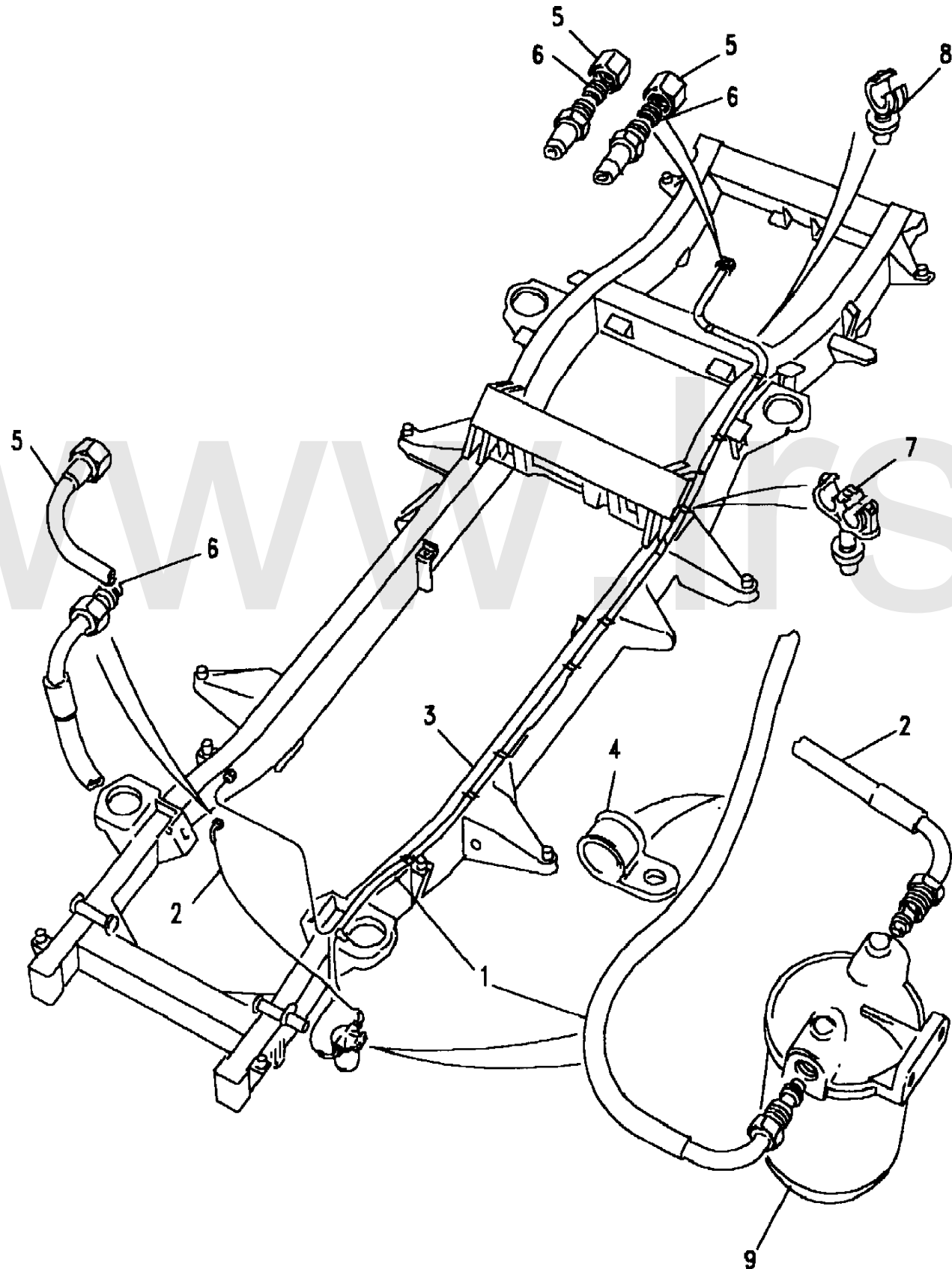
Callout	Name	Application	Remarks & Restrictions	Service No.	Qty
1	Pipe - Fuel Filler			ESR3707	1
3	Hose - Filler Pipe			ESR3711	1
5	Tube - Breather			ESR3868	1
7	Oil Ring			STC3725	1
8	Clip			ESR3710	4
9	Pipe Assy			ESR3867	1
10	Clip			ESR3979	2
11	Grommet - Filler Pipe			ESR4332	1
12	Nut - Anchor		M5	FN106047	
13	Cap Assy - Fuel Tank Filler			ESR2872	1
14	Screw		M6 X 16	FS106167	
15	Nut - Anchor		M5	BTR6580	1
16	Decal - Unleaded Fuel			ESR387	1
17	Screw		M5 x 16	SE105165L	1
18	Strap Assy			573256	1



O01.076
 11-2002
 L4
 CDJXCA2B

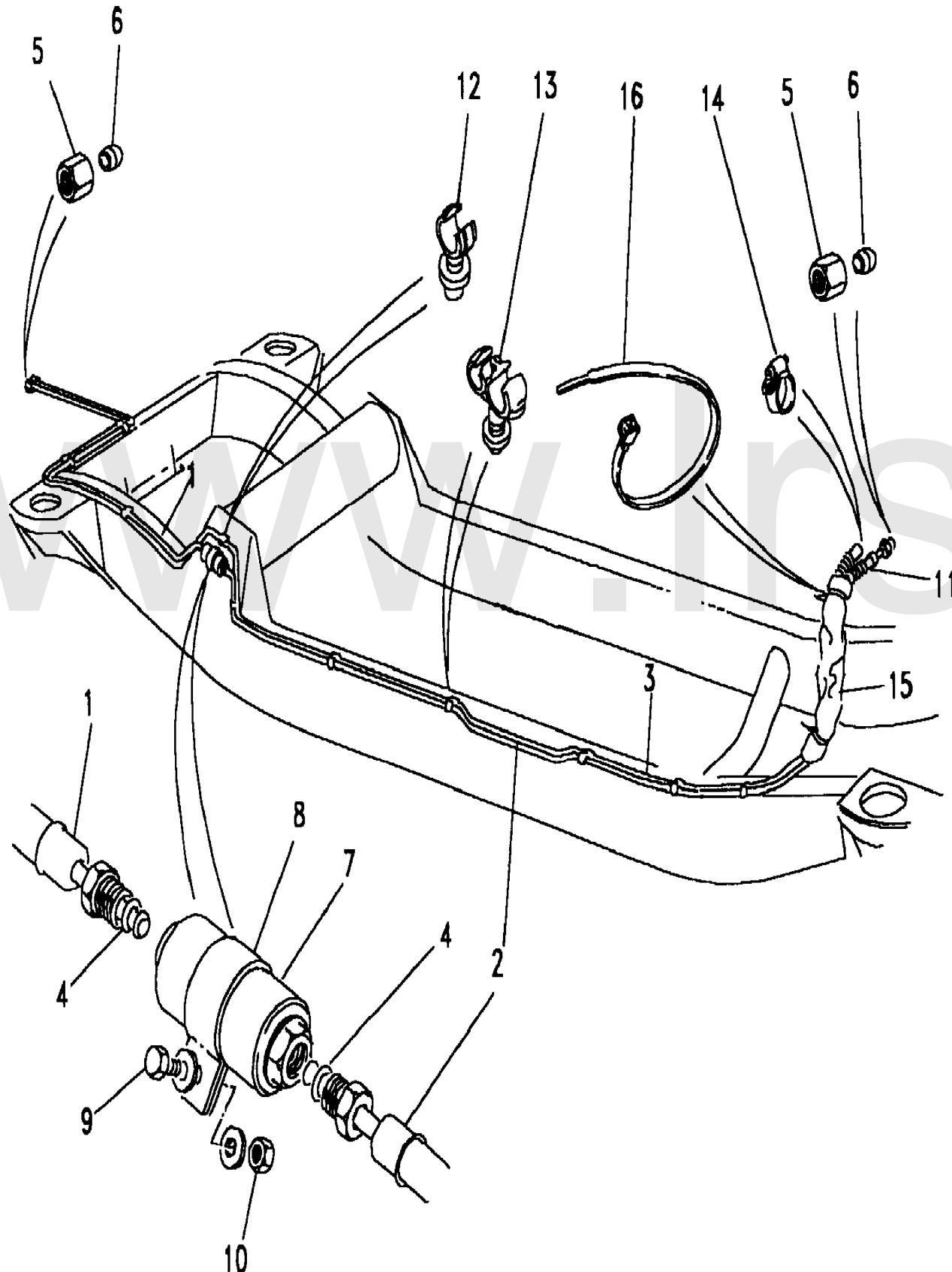
V8 Twin Carb L/R Petrol

Callout	Name	Application	Remarks & Restrictions	Service No.	Qty
1	Pipe Fuel	V8 Twin Carb Petrol	tank to filter	NTC7336	1
2	Pipe-filter to hose feed	V8 Twin Carb Petrol	tank to filter	NTC7720	1
3	Pipe-return fuel lines	V8 Twin Carb Petrol	tank to filter	NTC7337	1
4	Clip-Pipe	V8 Twin Carb Petrol	tank to filter, Double	CP108161L	2
5	Nut-tube-female	V8 Twin Carb Petrol	tank to filter, M12	NRC9770	2
6	Olive	V8 Twin Carb Petrol	tank to filter	NRC9771	2
7	Clip-Pipe	V8 Twin Carb Petrol	tank to filter, Double	NTC2585	9
8	Clip-Pipe	V8 Twin Carb Petrol	tank to filter, Single	79123	1
9	Filter-in line fuel lines	V8 Twin Carb Petrol	Also serviced as part of a kit	NRC9786	1
[900]	Element-inline fuel filter	V8 Twin Carb Petrol		JS660L	1



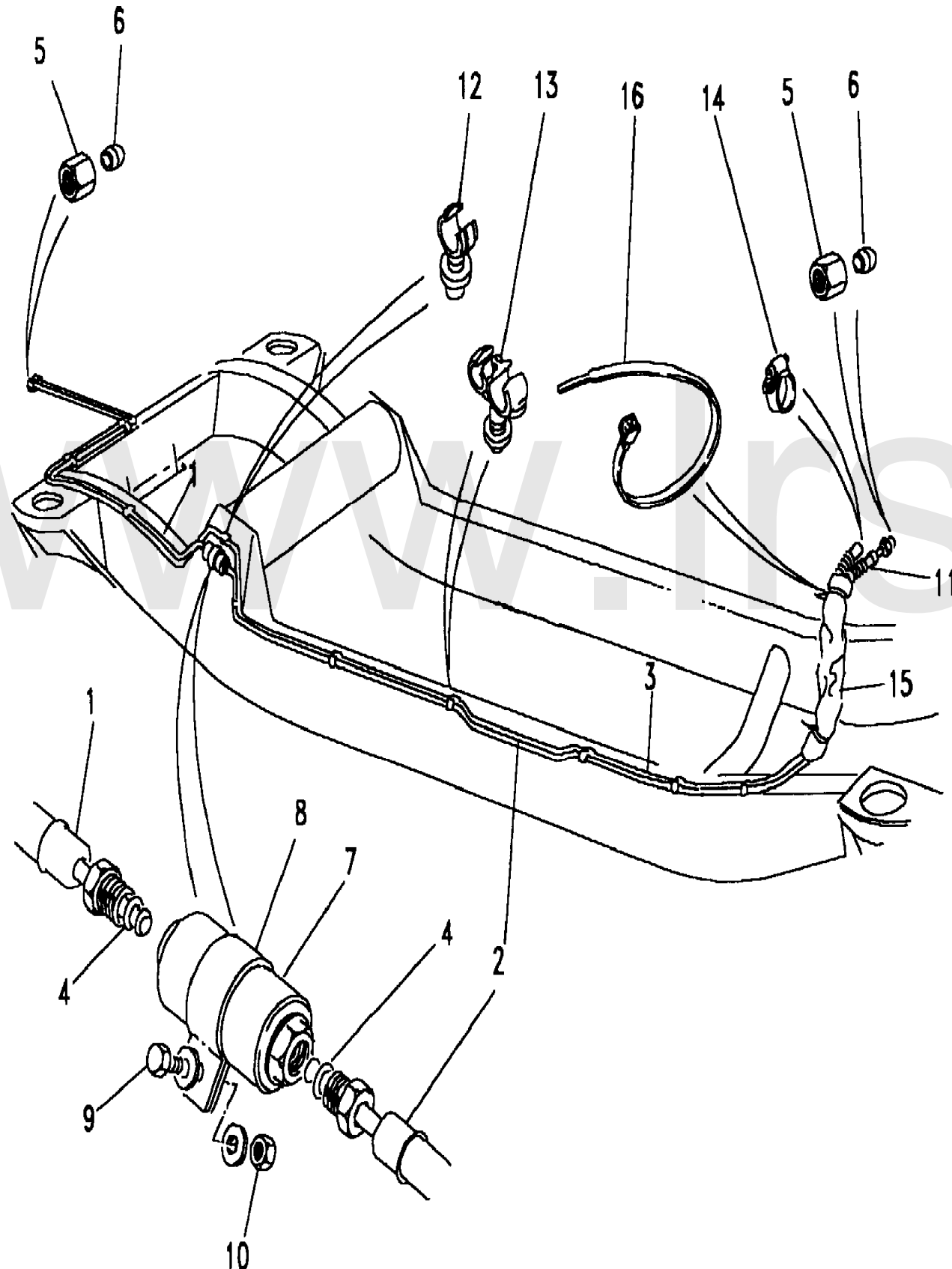
Petrol V8 L/R EFI, 4 Cyl MPi Petrol

Callout	Name	Application	Remarks & Restrictions	Service No.	Qty		
1	Pipe assembly-tank to filter	Change point - VIN end KA081990, V8 Petrol	(-) MPI	ESR500	1		
		Change point - VIN begin LA081991, V8 Petrol		ESR2364	1		
		Change point - VIN begin LA081991, V8 Petrol		WJP106170	1		
		Change point - VIN begin LA081991, MPi		ESR2364	1		
		Change point - VIN begin LA081991, MPi		WJP106170	1		
		Change point - VIN end 724027, (+)"CDN/MEX/USA"		ESR3763	1		
		2		Pipe assembly-filter to engine feed	Change point - VIN end MA091471, V8 Petrol	ESR501	1
Change point - VIN begin MA091472, V8 Petrol	ESR3250		1				
Change point - VIN end KA081990, MPi Petrol	ESR1673		1				
Change point - VIN end LA081991, MPi Petrol	ESR2635		1				
Change point - VIN end VA724027, (+)"CDN/MEX/USA"	ESR4429		1				
3	Pipe-feed-fuel lines		Change point - VIN end KA081990, MPi Petrol		ESR1675	1	
		Change point - VIN begin LA081991, MPi Petrol	ESR2636	1			
		Change point - VIN begin GA394352, Change point - VIN end GA456980, V8 Petrol	NTC6143	1			
		Change point - VIN begin HA471373, Change point - VIN end HA486551, V8 Petrol	ESR2188	1			
		Change point - VIN begin LA081991, Change point - VIN end MA091471, V8 Petrol	ESR2637	1			
		Change point - VIN begin MA091472, V8 Petrol	ESR3267	1			
		Change point - VIN end VA724027, V8 Petrol, (+)"CDN/MEX/USA"	ESR4430	1			
		4	O Ring		fuel filter to pipe	ESR259	2
		5	Nut-tube-female	V8 Petrol	M12	NRC9770	1
				MPi	M12	NRC9770	1
6	Olive	V8 Petrol		NRC9771	1		
		MPi		NRC9771	1		
7	Filter assembly-in line fuel lines	Change point - VIN end TA520866, V8 Petrol		ESR3117	1		

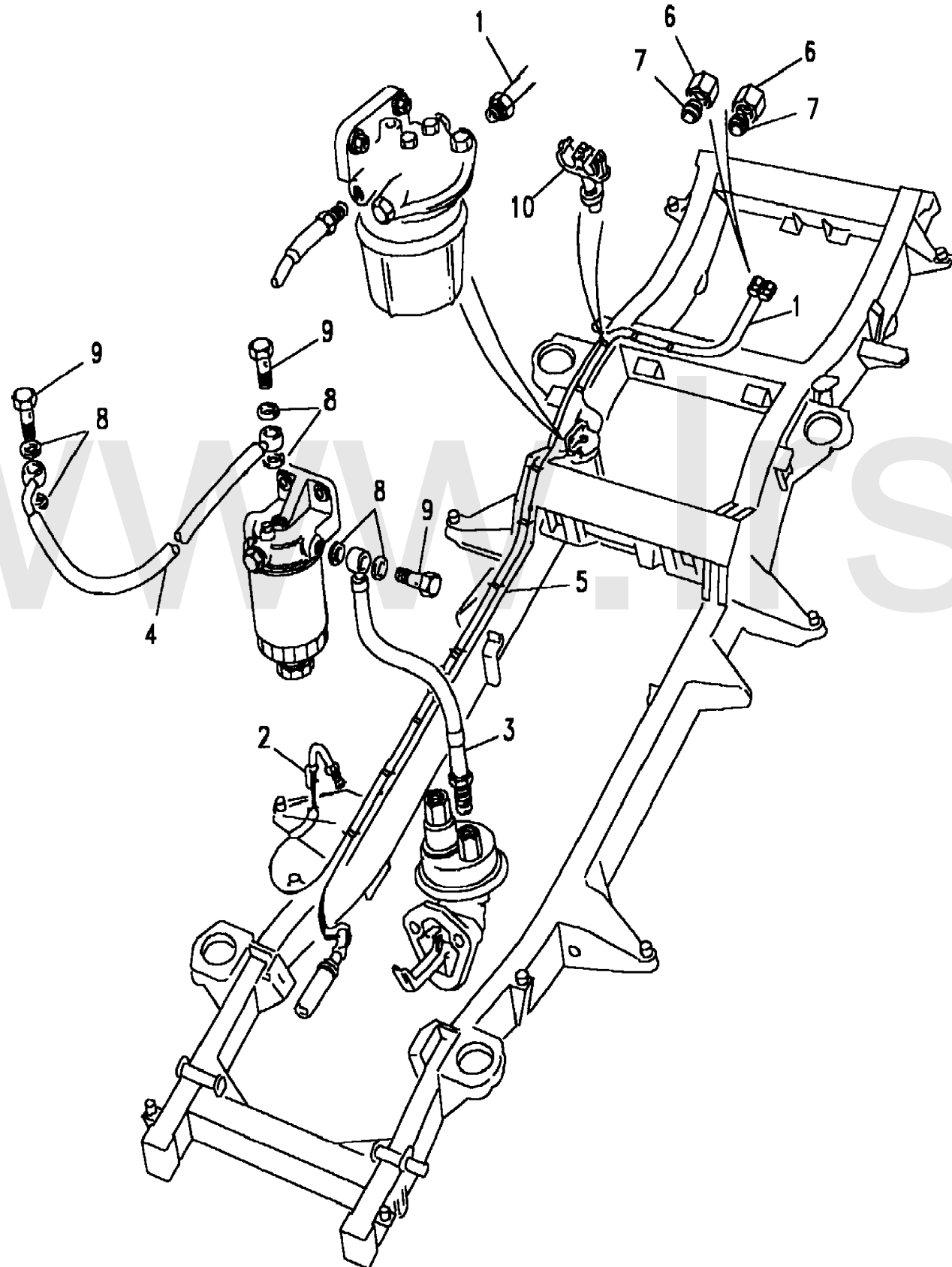


Petrol V8 L/R EFI, 4 Cyl MPi Petrol

Callout	Name	Application	Remarks & Restrictions	Service No.	Qty	
7	Filter assembly-in line fuel lines	Change point - VIN end TA190113, V8 Petrol		ESR3117	1	
		Change point - VIN end TA520866, MPi		ESR3117	1	
		Change point - VIN end TA190113, MPi		ESR3117	1	
		Change point - VIN begin TA190114, V8 EFI Petrol		ESR4065	1	
		Change point - VIN begin TA520867, V8 EFI Petrol		ESR4065	1	
		Change point - VIN begin TA190114		ESR4065	1	
		Change point - VIN begin TA520867		ESR4065	1	
		8	Bracket-fuel filter	V8 Petrol MPi		NTC6937 NTC6937
9	Screw	V8 Petrol MPi	Flanged Head, M8 x 20	FS108207L	1	
			Flanged Head, M8 x 20	FS108207L	1	
10	Nut - Hex.	V8 Petrol MPi	M8, nyloc M8, nyloc	NY108041L NY108041L	1 1	
11	Protector-pipe fuel	V8 Petrol MPi		NTC4859 NTC4859	2 2	
12	Clip	V8 Petrol MPi	8MM	79122	1	
			8MM	79122	1	
13	Clip	Change point - VIN begin JA027804, MPi	Double, 6 - 8MM	ESR1373	9	
			Change point - VIN end JA027803, V8 Petrol	6 - 8MM	ESR1600	9
			Change point - VIN end JA027803, MPi	6 - 8MM	ESR1600	9
			Change point - VIN begin JA027804, V8 Petrol	Double, 6 - 8MM	ESR1373	9
14	Clip-Hose	V8 Petrol MPi		C435997L C435997L	2 2	
15	Protector-pipe fuel	Change point - VIN end MA104269, V8 Petrol		MUC8849	1	
			Change point - VIN begin MA104270, V8 Petrol		ESR3298	1
16	Tie-cable	V8 Petrol	4.8 x 270mm, inside serated	568680	2	
[900]	Pipe assembly-tank to filter	Change point - VIN end KA081990, MPi		ESR500	1	



With Diesel Engines



Callout	Name	Application	Remarks & Restrictions	Service No.	Qty
1	Pipe Fuel	2.5L I4 200 TDi Turbo Diesel, 5 Speed Manual Transmission, Less Catalyst	tank to sedimentor, Engine Code 12L 2.5 TDI Manual - Gemini	NTC7335	1
		300 TDi Diesel	tank to sedimentor, (-) 12L 2.5 TDI Manual - Gemini	ESR2825	1
2	Pipe-feed-fuel lines	Change point - VIN end LA081990, TDi Diesel		ESR163	1
		Change point - VIN begin LA081991, TDi Diesel		ESR2994	1
3	Hose lift pump/filter	2.5L I4 200 TDi Turbo Diesel, 5 Speed Manual Transmission, Less Catalyst	Engine Code 12L 2.5 TDI Manual - Gemini	ESR267	1
		Change point - Engine end 21L13920A, 300 TDi Diesel	(-) 12L 2.5 TDI Manual - Gemini	ESR2991	1
		Change point - Engine begin 21L13921A, 300 TDi Diesel	(-) 12L 2.5 TDI Manual - Gemini	ESR3371	1
4	Pipe-fuel filter/fuel injection pump	2.5L I4 200 TDi Turbo Diesel, 5 Speed Manual Transmission, Less Catalyst	Engine Code 12L 2.5 TDI Manual - Gemini	ESR1326	1
		300 TDi Diesel	(-) 12L 2.5 TDI Manual - Gemini	ESR2992	1
5	Pipe-return fuel lines	Change point - VIN end JA042473, 2.5L I4 200 TDi Turbo Diesel, 5 Speed Manual Transmission, Less Catalyst	Engine Code 12L 2.5 TDI Manual - Gemini	NTC7334	1
		Change point - VIN begin JA042474, 2.5L I4 200 TDi Turbo Diesel, 5 Speed Manual Transmission, Less Catalyst	Engine Code 12L 2.5 TDI Manual - Gemini	ESR2260	1
		300 TDi Diesel	(-) 12L 2.5 TDI Manual - Gemini	ESR2995	1
6	Nut-tube-female	TDi Diesel	M12	NRC9770	3
7	Olive	TDi Diesel		NRC9771	3
8	Washer-copper	TDi Diesel		ESR354	4
9	Bolt-banjo	TDi Diesel	pipe fuel to fuel filter	NTC3346	2
10	Clip-double fuel lines	Change point - VIN end JA027803, TDi Diesel		ESR1601	10
		Change point - VIN begin JA027804, TDi Diesel	Double, 6 - 8MM	ESR1373	10
[902]	Clip-swivel	TDi Diesel		ERR943	1

Fuel & Emission Systems
 Fuel-Air Cleaner-Evaporative Loss
 Fuel Tank Pump & Mountings Petrol 1/2

Discovery (FA393361-WA799999)

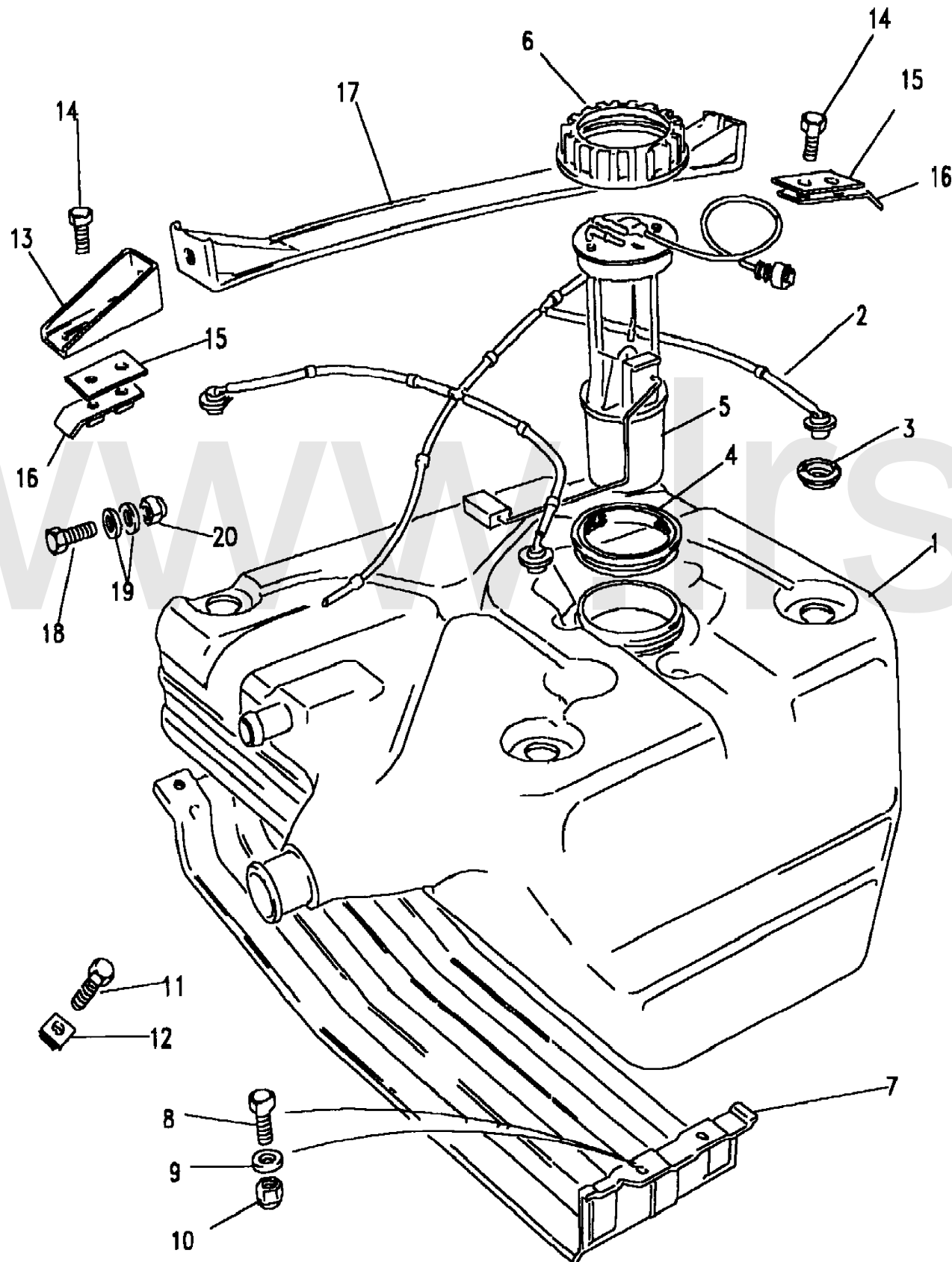
(CAJXAA1A)

Discovery (FA393361-WA799999)

Fuel & Emission Systems
 Fuel-Air Cleaner-Evaporative Loss
 Fuel Tank Pump & Mountings Petrol

Change point - VIN end KA053801, With Petrol Engines

Callout	Name	Application	Remarks & Restrictions	Service No.	Qty
1	Tank assembly fuel	(-)"CDN/MEX/USA" (+)"CDN/MEX/USA"		NTC6741 ESR3706	1 1
2	Pipe-breather fuel tank	Change point - VIN begin GA394352, Change point - VIN end GA456980 Change point - VIN begin HA000001, Change point - VIN end HA003613 Change point - VIN begin HA456981, Change point - VIN end HA486551 Change point - VIN begin HA003614, Change point - VIN end HA012332 Change point - VIN begin JA012333, Change point - VIN end KA053801		NTC7457 NTC7457 NTC7457 ESR578 ESR578	1 1 1 1 1
3	Grommet			NTC5879	4
4	Seal-fuel pump unit tank			NTC5859	1
5	Pump-fuel-unit assembly fuel tank	Twin Carburettor, (-)"CDN/MEX/USA" EFI, (-)"CDN/MEX/USA" EFI, (-)"CDN/MEX/USA" Change point - VIN end VA737153, (+)"CDN/MEX/USA" Change point - VIN begin VA737154, (+)"CDN/MEX/USA"		PRC7128 PRC9409 PRC9668 ESR3209 WFX101020	1 1 1 1 1
6	Ring-locking fuel tank	Twin Carburettor, (-)"CDN/MEX/USA" Change point - VIN begin HA038200, Change point - VIN end KA053801, EFI, (-)"CDN/MEX/USA" (+)"CDN/MEX/USA"	Yellow Red	NTC6871 NTC5858 ESR3808	1 1 1
7	Cradle-fuel tank support			NTC5787	1
8	Screw		hexagonal head, M10 x 20	SH110201L	2
9	Washer		M10	WA110061L	6
10	Nut - Hex.		M10, nyloc, flange	NY110047L	2
11	Screw		M10 x 20	SH110201M	2
12	Plate assembly-weld bolt			NTC7267	2



Fuel & Emission Systems
 Fuel-Air Cleaner-Evaporative Loss
 Fuel Tank Pump & Mountings Petrol 2/2

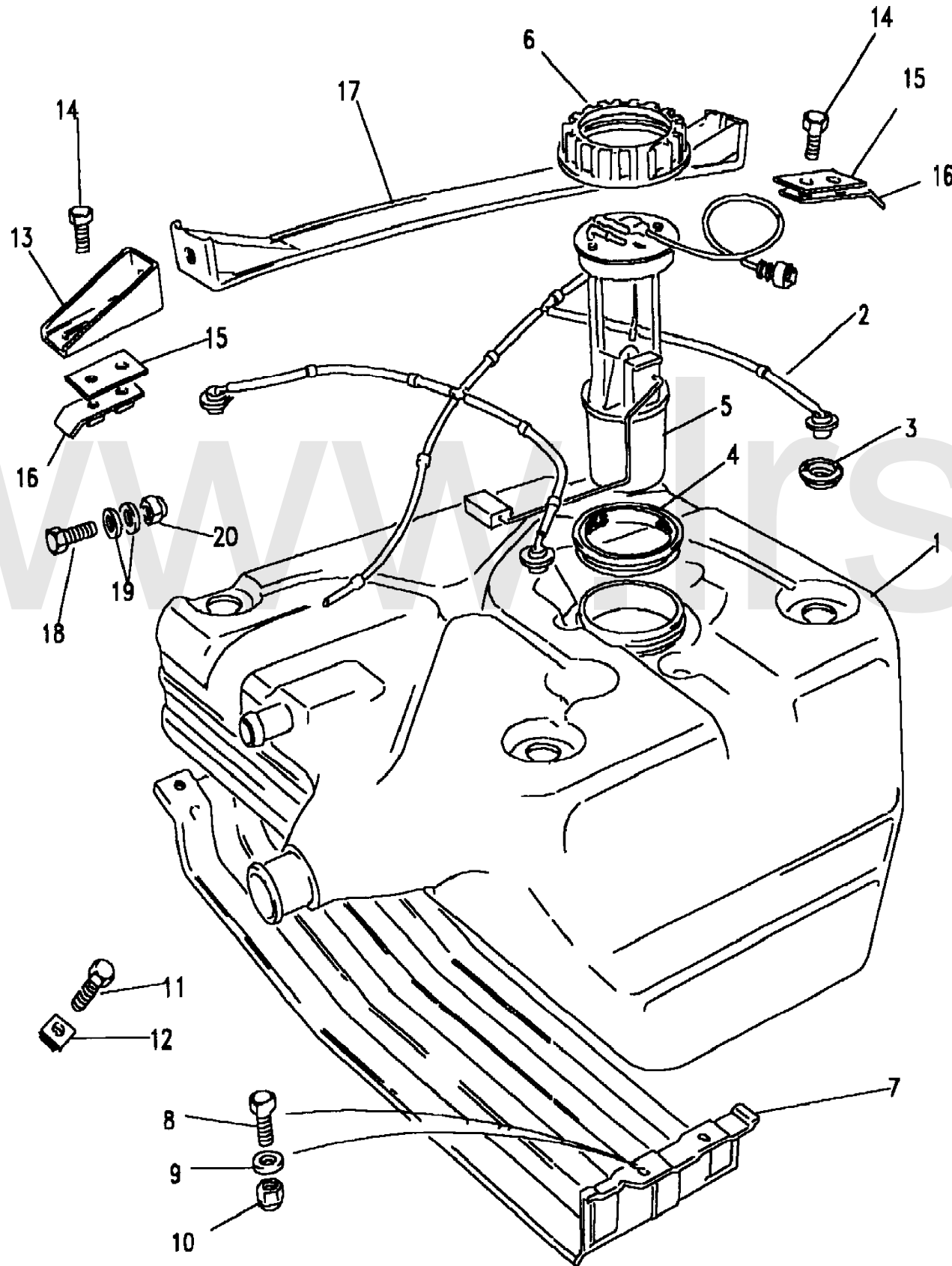
Discovery (FA393361-WA799999)
 (CAJXAA1A)

Discovery (FA393361-WA799999)

Fuel & Emission Systems
 Fuel-Air Cleaner-Evaporative Loss
 Fuel Tank Pump & Mountings Petrol

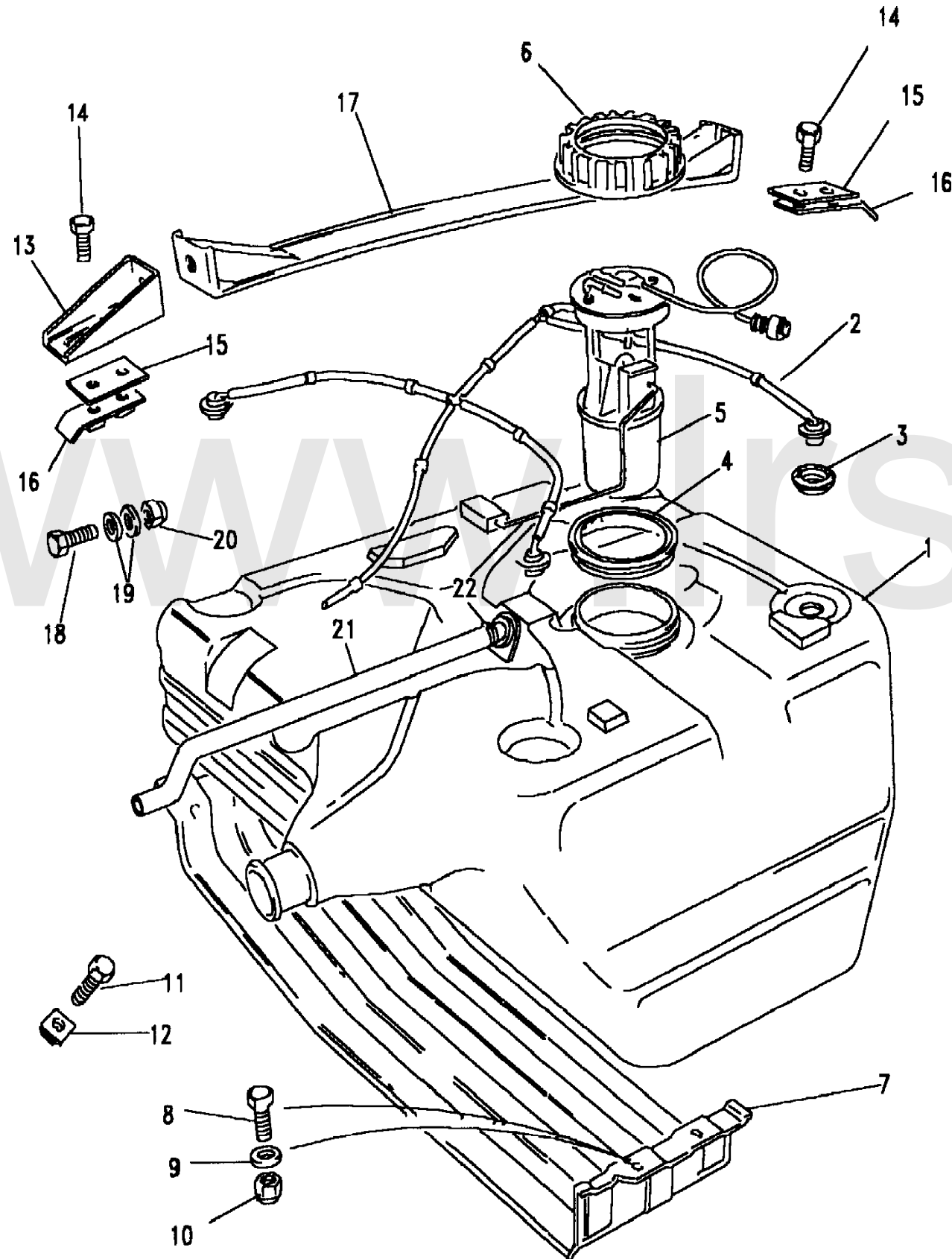
Change point - VIN end KA053801, With Petrol Engines

Callout	Name	Application	Remarks & Restrictions	Service No.	Qty
13	Bracket - Fuel Tank	Change point - VIN end KA053801	Front	NTC6769	1
14	Screw		M8 X 16, hexagonal head M8 X 16, Flanged Head	SH108161L FS108161L	2 2
15	Spacer			NTC6771	2
16	Plate-mounting fuel tank			NTC6770	1
17	Strap assembly fuel tank			NTC7611	1
18	Screw		Flanged Head, M10 x 30, top	FS110301L	1
19	Washer		M10	WA110061L	2
20	Nut - Hex.		M10, nyloc, flange	NY110047L	1
[900]	Pipe - Fuel	(+)"CDN/MEX/USA"		ESR3746	1



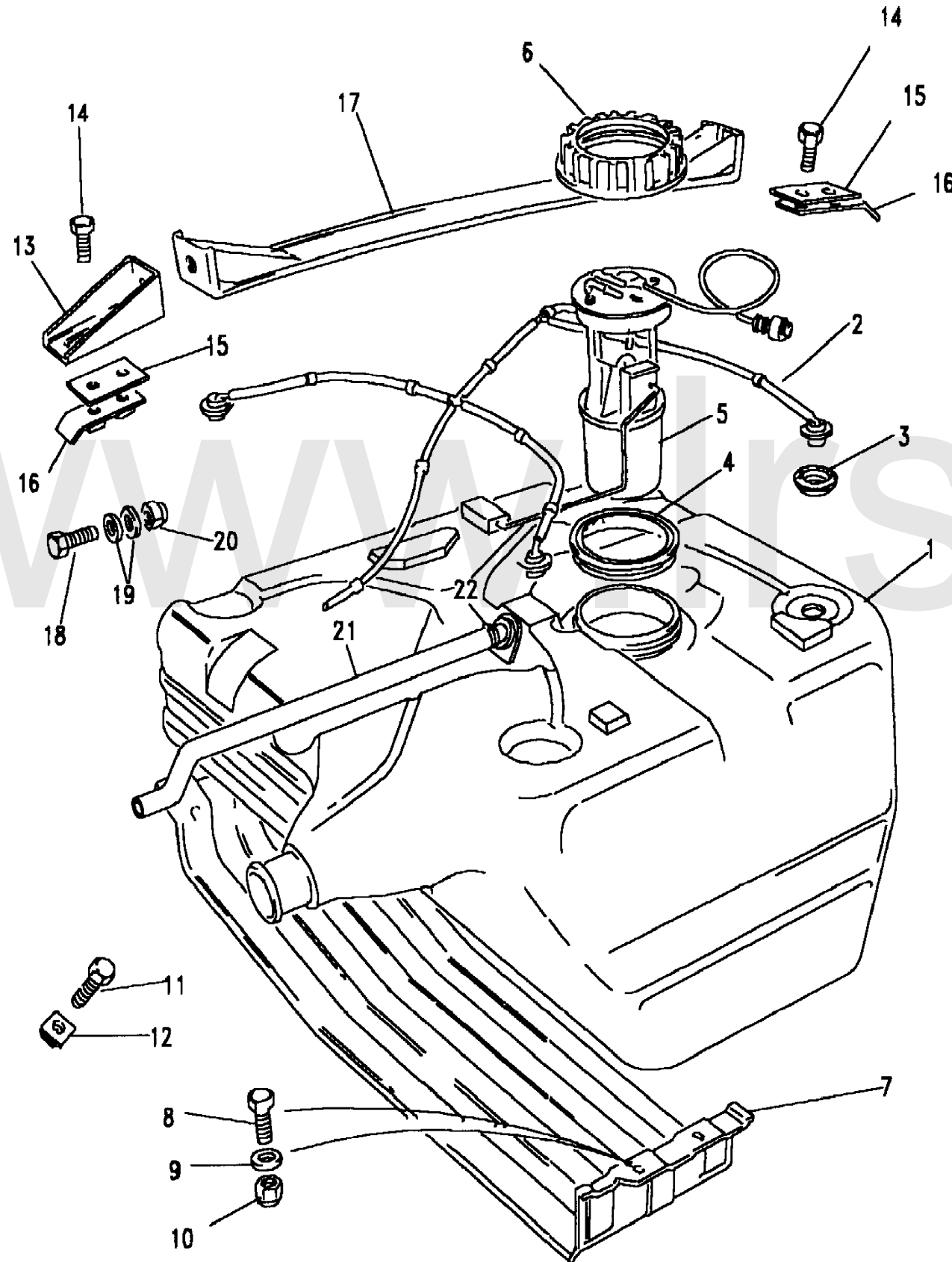
Change point - VIN begin KA053802, With Petrol Engines

Callout	Name	Application	Remarks & Restrictions	Service No.	Qty	
1	Tank assembly fuel	Change point - VIN begin KA053802		ESR2585	1	
				WHW100000	1	
				WHW100001	1	
2	Pipe-breather fuel tank			ESR578	1	
3	Grommet			NTC5879	4	
4	Seal-fuel pump unit tank			NTC5859	1	
5	Pump-fuel-unit assembly fuel tank	Change point - VIN begin KA053802, Change point - VIN end KA065556		PRC9409	1	
				ESR1224	1	
				Change point - VIN begin KA053802, Change point - VIN end MA140197	ESR1224	1
				Change point - VIN begin KA065557, Change point - VIN end MA140197	ESR3492	1
				Change point - VIN begin MA140198, Change point - VIN end TA172381	ESR3492	1
				Change point - VIN begin KA053802, Change point - VIN end TA504321	ESR3926	1
				Change point - VIN begin KA053802	ESR3926	1
				Change point - VIN begin TA172382	ESR3926	1
				Change point - VIN begin TA504322	ESR3926	1
				6	Ring-locking fuel tank	
7	Cradle-fuel tank support			NTC5787	1	
8	Screw		hexagonal head, M10 x 20	SH110201L	2	
9	Washer		M10	WA110061L	6	
10	Nut - Hex.		M10, nyloc, flange	NY110047L	2	
11	Screw		M10 x 20	SH110201M	2	
12	Plate assembly-weld bolt			NTC7267	2	
13	Bracket - Fuel Tank	Change point - VIN begin KA053802	Front	NTC6769	1	
14	Screw			SH108161L	2	
				FS108161L	2	
15	Spacer			NTC6771	2	



Change point - VIN begin KA053802, With Petrol Engines

Callout	Name	Application	Remarks & Restrictions	Service No.	Qty
16	Plate-mounting fuel tank			NTC6770	1
17	Strap assembly fuel tank			ESR2327	1
18	Screw		Flanged Head, M10 x 30, top	FS110301L	1
19	Washer		M10	WA110061L	2
20	Nut - Hex.		M10, nyloc, flange	NY110047L	1
21	Hose assembly-breather fuel			ESR1056	1
22	Tie-cable		inside serated, 4.6 x 385mm, White.	594594	1



Fuel & Emission Systems
 Fuel-Air Cleaner-Evaporative Loss
 Fuel Tank Sender And Mountings 1/2

Discovery (FA393361-WA799999)

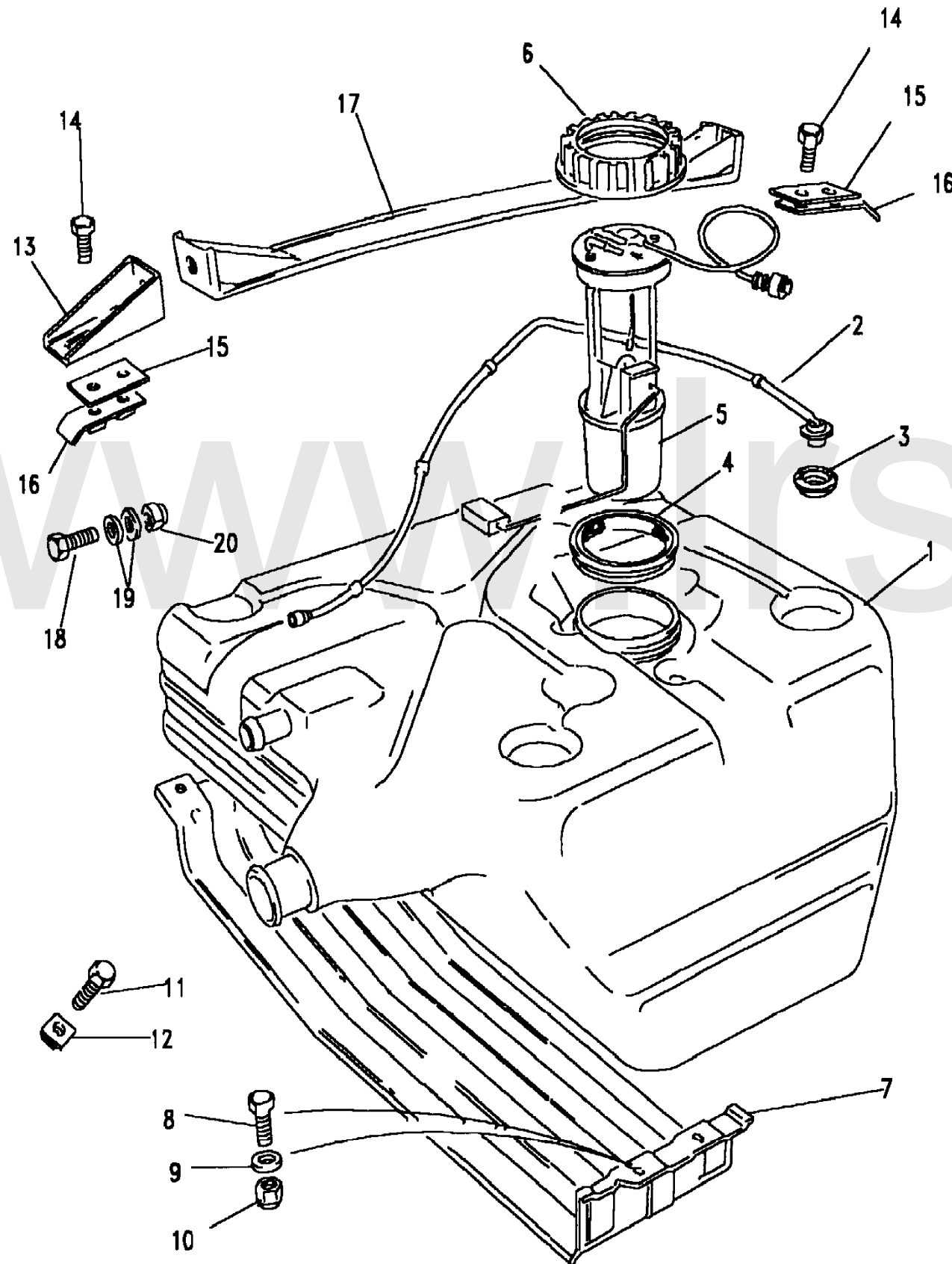
(CAJXAA2A)

Discovery (FA393361-WA799999)

Fuel & Emission Systems
 Fuel-Air Cleaner-Evaporative Loss
 Fuel Tank Sender And Mountings

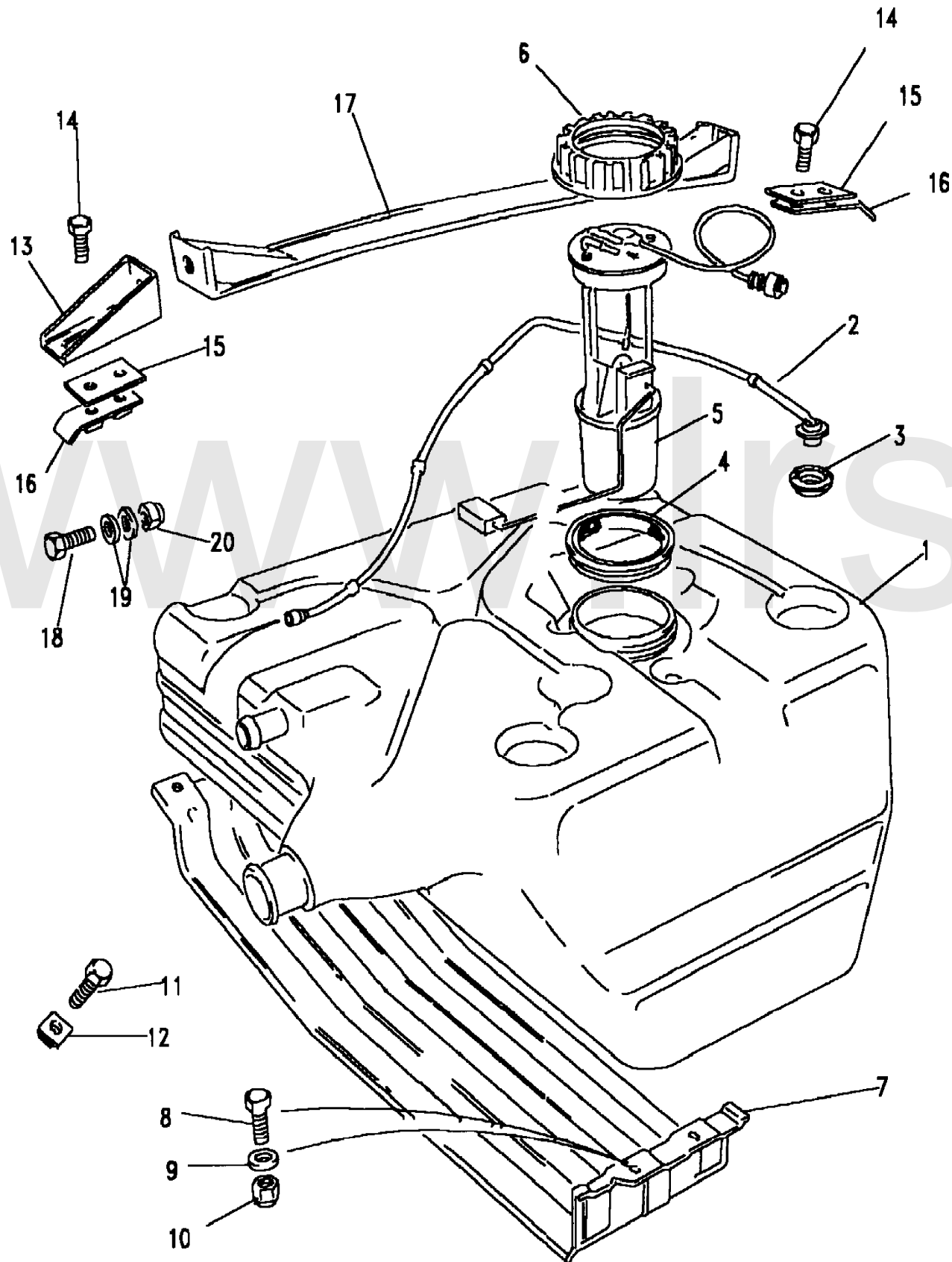
Change point - VIN end KA053845, With Diesel Engines

Callout	Name	Application	Remarks & Restrictions	Service No.	Qty
1	Tank assembly fuel	Change point - VIN end KA053845		NTC6741	1
		Change point - VIN end JA013791		NTC6741	1
		Change point - VIN begin JA013792, Change point - VIN end KA053845		ESR460	1
2	Pipe-breather fuel tank	Change point - VIN begin GA394352, Change point - VIN end GA456980		NTC7487	1
		Change point - VIN begin HA000001, Change point - VIN end HA003613		NTC7487	1
		Change point - VIN begin HA456981, Change point - VIN end HA486551		NTC7487	1
		Change point - VIN begin HA003614, Change point - VIN end HA012332	Also serviced as part of a kit	ESR461	1
		Change point - VIN begin JA012333, Change point - VIN end KA053845	Also serviced as part of a kit	ESR461	1
3	Grommet			NTC5879	4
4	Seal-fuel pump unit tank			NTC5859	1
5	Pump-fuel-unit assembly fuel tank			PRC7129	1
6	Ring-locking fuel tank		Black	NTC6872	1
7	Cradle-fuel tank support			NTC5787	1
8	Screw		hexagonal head, M10 x 20	SH110201L	2
9	Washer		M10	WA110061L	6
10	Nut - Hex.		M10, nyloc, flange	NY110047L	2
11	Screw		M10 x 20	SH110201M	2
12	Plate assembly-weld bolt			NTC7267	2
13	Bracket - Fuel Tank	Change point - VIN end KA053845	Front	NTC6769	1
14	Screw		M8 X 16, hexagonal head	SH108161L	2
			M8 X 16, Flanged Head	FS108161L	2
15	Spacer			NTC6771	2
16	Plate-mounting fuel tank			NTC6770	1



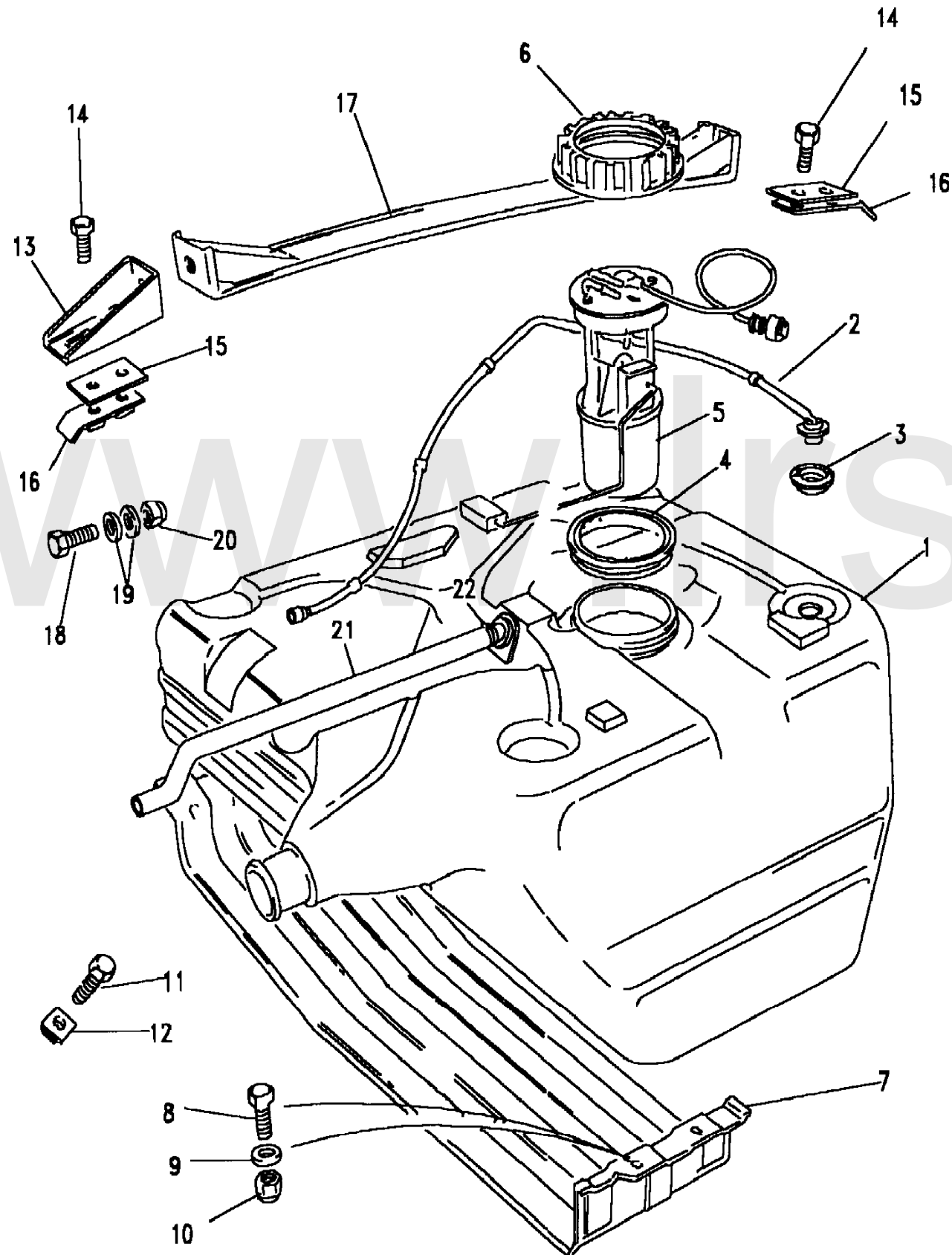
Change point - VIN end KA053845, With Diesel Engines

Callout	Name	Application	Remarks & Restrictions	Service No.	Qty
17	Strap assembly fuel tank			NTC7611	1
18	Screw		Flanged Head, M10 x 30, top	FS110301L	1
19	Washer		M10	WA110061L	2
20	Nut - Hex.		M10, nyloc, flange	NY110047L	1



Change point - VIN begin KA053846, With Diesel Engines

Callout	Name	Application	Remarks & Restrictions	Service No.	Qty
1	Tank assembly fuel			ESR2584	1
2	Pipe-breather fuel tank		Also serviced as part of a kit	ESR461	1
3	Grommet			NTC5879	4
4	Seal-fuel pump unit tank			NTC5859	1
5	Pump-fuel-unit assembly fuel tank	Change point - VIN begin KA053846, Change point - VIN end KA065556 Change point - VIN begin KA065557		PRC7129 ESR1223	1 1
6	Ring-locking fuel tank		Black	NTC6872	1
7	Cradle-fuel tank support			NTC5787	1
8	Screw		hexagonal head, M10 x 20	SH110201L	2
9	Washer		M10	WA110061L	6
10	Nut - Hex.		M10, nyloc, flange	NY110047L	2
11	Screw		M10 x 20	SH110201M	2
12	Plate assembly-weld bolt			NTC7267	2
13	Bracket - Fuel Tank	Change point - VIN begin KA053846	Front	NTC6769	1
14	Screw		M8 X 16, hexagonal head M8 X 16, Flanged Head	SH108161L FS108161L	2 2
15	Spacer			NTC6771	2
16	Plate-mounting fuel tank			NTC6770	1
17	Strap assembly fuel tank			ESR2327	1
18	Screw		Flanged Head, M10 x 30, top	FS110301L	1
19	Washer		M10	WA110061L	2
20	Nut - Hex.		M10, nyloc, flange	NY110047L	1
21	Hose assembly-breather fuel			ESR1056	1



Fuel & Emission Systems
 Fuel-Air Cleaner-Evaporative Loss
 Fuel Tank Sender And Mountings 2/2

Discovery (FA393361-WA799999)
 (CAJXAA2B)

Discovery (FA393361-WA799999)

Fuel & Emission Systems
 Fuel-Air Cleaner-Evaporative Loss
 Fuel Tank Sender And Mountings

Change point - VIN begin KA053846, With Diesel Engines

Callout	Name	Application	Remarks & Restrictions	Service No.	Qty
22	Tie-cable		inside serated, 4.6 x 385mm, White.	594594	1
23	Valve-fuel cut fuel tank			NTC4517	1

