

Exhaust Systems
Exhaust Diesel
Turbo Direct Injection 1/1

Discovery (FA393361-WA799999)

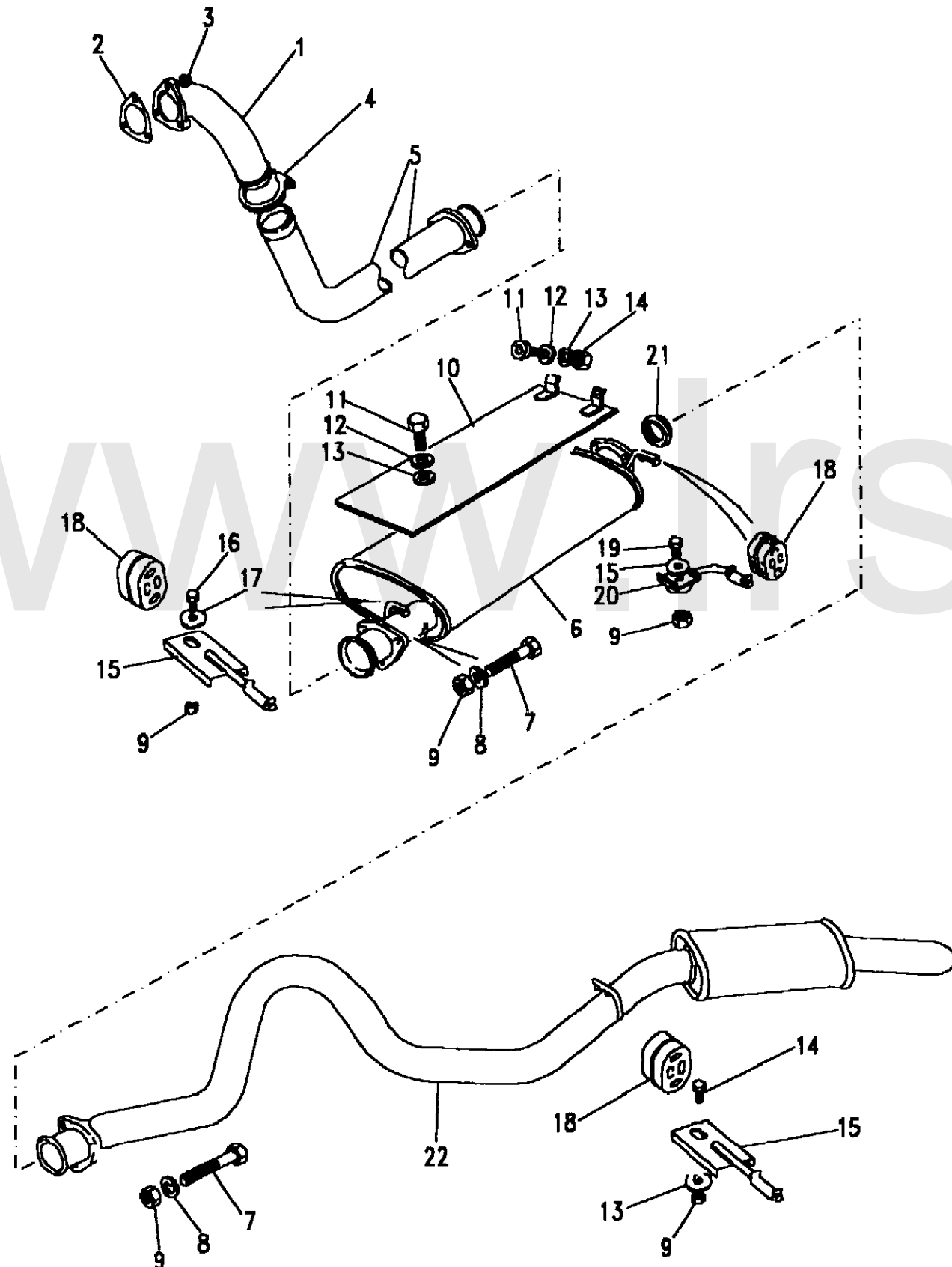
(CAKXDE1A)

Discovery (FA393361-WA799999)

Exhaust Systems
Exhaust Diesel
Turbo Direct Injection

Change point - VIN end GA460229, 2.5L 4 Cyl Diesel

Callout	Name	Application	Remarks & Restrictions	Service No.	Qty
1	Downpipe assembly exhaust system	2.5L 4 Cyl TDi Diesel, Manual Transmission		ERR544	1
2	Gasket exhaust system	2.5L TDi	turbo outlet to exhaust downpipe	ESR3260	1
3	Nut-flange	2.5L TDi	M10	FX110041L	3
4	Clamp	2.5L TDi	exhaust downpipe to manifold	NTC4881	1
5	Pipe	2.5L TDi		NTC6754	1
6	Silencer assembly exhaust system	2.5L 4 Cyl TDi Diesel		NTC6791	1
7	Bolt	2.5L TDi 2.5L TDi	M8 x 50, Flanged Head M8 x 50, Flanged Head	BH108105L FB108101	2 2
8	Washer	2.5L TDi	8MM	WA108051L	2
9	Nut - Hex.	2.5L TDi	M8	NV108041L	2
10	Heatshield-tunnel exhaust system	2.5L TDi		NRC7649	1
11	Screw-flanged head	2.5L TDi	M6 X 16, Flanged Head	FS106167L	2
12	Washer	2.5L TDi	6MM	WA106041L	4
13	Washer	2.5L TDi	M6, sprung	WL106001L	4
14	Nut - Hex.	2.5L TDi	M6, nyloc, Hexagonal	NH106041L	4
15	Bracket exhaust system	2.5L TDi	Front	NTC5648	1
16	Screw	2.5L TDi 2.5L TDi	M8 X 16, hexagonal head M8 X 16, Flanged Head	SH108161L FS108161L	1 1
17	Washer-Plain	2.5L TDi		WP105L	2
18	Mounting-rubber exhaust system	2.5L TDi	Rear	NTC5582	2
19	Screw	2.5L TDi	hexagonal head, M8 x 40	SH108401L	1
20	Bracket exhaust system	2.5L TDi	Centre	NTC5634	1
21	Olive	2.5L TDi	exhaust pipe joint flange	CRC4579L	1
22	Rear assembly exhaust system	2.5L TDi		NTC7119	1



Exhaust Systems
Exhaust Diesel
Turbo Direct Injection Cont. 1/3

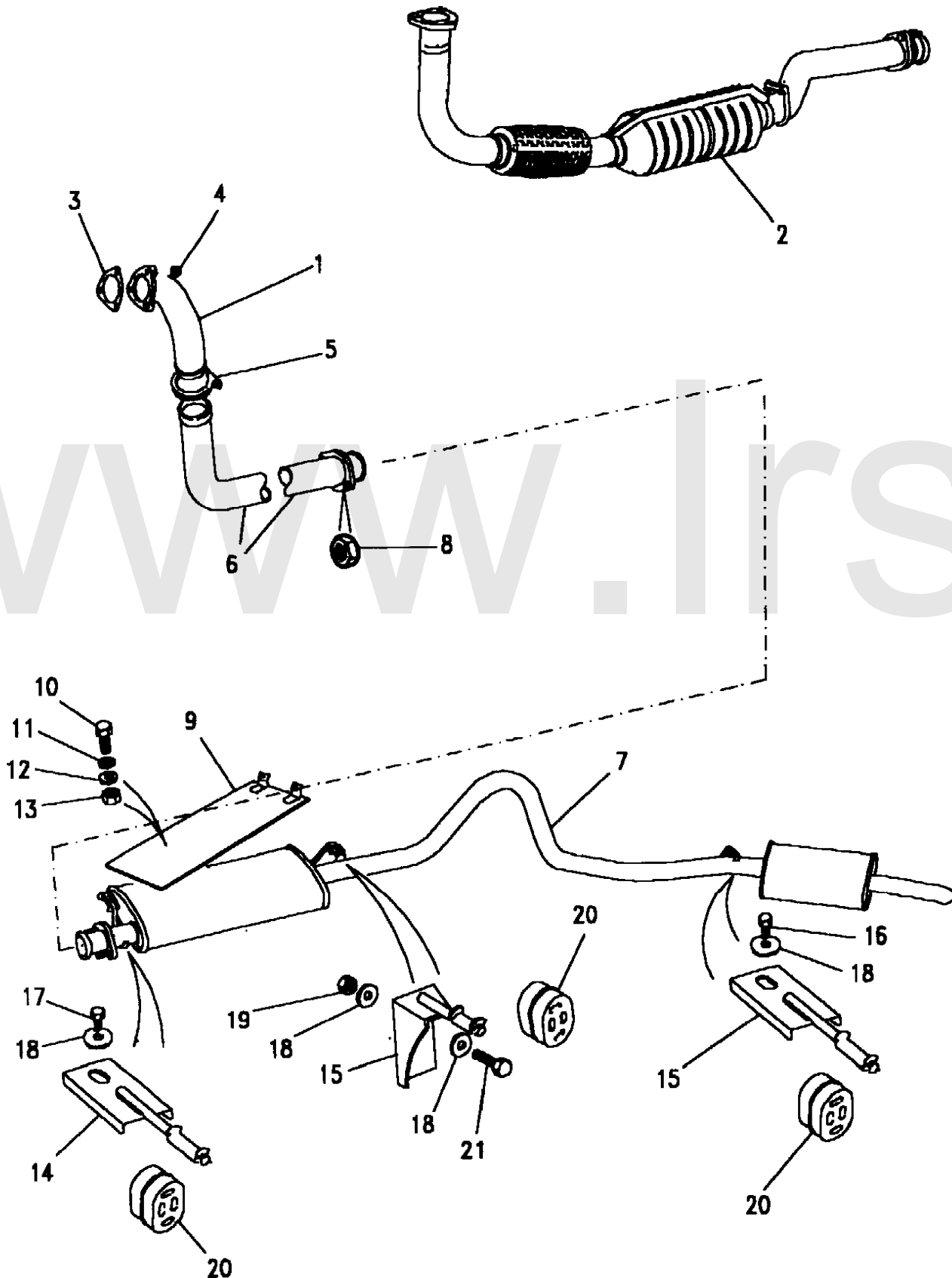
Discovery (FA393361-WA799999)

(CAKXDE4A)

Discovery (FA393361-WA799999)

Exhaust Systems
Exhaust Diesel
Turbo Direct Injection Cont.

Change point - VIN begin GA460230, 2.5L 4 Cyl Diesel

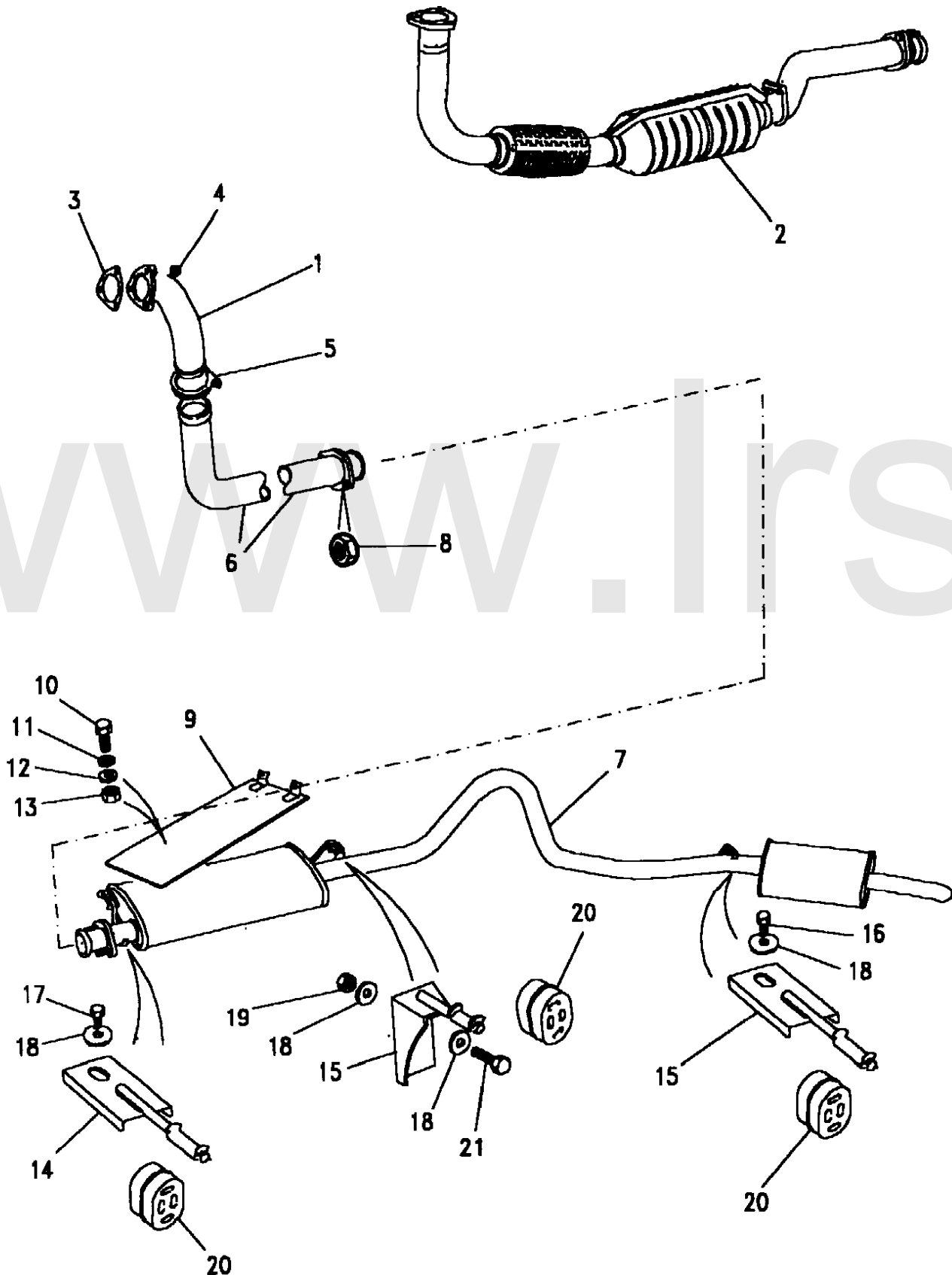


Callout	Name	Application	Remarks & Restrictions	Service No.	Qty
1	Downpipe assembly exhaust system	2.5L TDi Diesel, Manual Transmission, (-)"J"		ERR1295	1
		Change point - Engine begin 14L34769A,		ERR4530	1
		Change point - VIN end LA081991, 2.5L TDi Diesel, Automatic Transmission, Less Catalyst			
		Change point - VIN begin MA081992, 2.5L 4 Cyl TDi Diesel, (-)"J", Less Catalyst		ESR2740	1
2	Downpipe assembly exhaust system	Change point - VIN begin MA081992, 2.5L TDi Diesel, (+)"J", With Catalyst	with catalyst.	ESR2739	1
		Change point - VIN begin MA081992, 2.5L 4 Cyl TDi Diesel, (+)"J", With Catalyst	with catalyst.	ESR3495	1
		Change point - VIN begin MA118106, 2.5L 4 Cyl TDi Diesel, EDC, (-)"J", With Catalyst	with catalyst.	ESR3495	1
3	Gasket exhaust system	2.5L TDi	turbo outlet to exhaust downpipe	ESR3260	1
4	Nut-flange	2.5L TDi	M10	FX110041L	3
5	Clamp	2.5L TDi	exhaust downpipe to manifold	NTC4881	1
6	Intermediate assembly exhaust system	Change point - VIN begin GA460230, Change point - VIN end KA064754, 2.5L TDi		ESR237	1
		Change point - VIN begin LA064755, Change point - VIN end LA081991, 2.5L TDi		ESR2818	1
		Change point - VIN begin GA460230, Change point - VIN end LA081991, 2.5L TDi, Automatic Transmission		ESR2628	1
		Change point - VIN begin GA460230, Change point - VIN end LA081991, 2.5L TDi		ESR238	1
7	Intermediate/rear assembly exhaust system	Change point - VIN begin MA081992, 2.5L TDi, With Catalyst		ESR2390	1
		Change point - VIN begin MA081992, 2.5L TDi, Less Catalyst		ESR2391	1
8	Nut - Hex.	2.5L TDi	M8	NV108041L	2

Exhaust Systems
Exhaust Diesel
Turbo Direct Injection Cont. 2/3

Discovery (FA393361-WA799999)

(CAKXDE4A)



Discovery (FA393361-WA799999)

Exhaust Systems
Exhaust Diesel
Turbo Direct Injection Cont.

Change point - VIN begin GA460230, 2.5L 4 Cyl Diesel

Callout	Name	Application	Remarks & Restrictions	Service No.	Qty
9	Heatshield-tunnel exhaust system	2.5L TDi		NRC7649	1
10	Screw-flanged head	2.5L TDi	M6 X 16, Flanged Head	FS106167L	4
11	Washer	2.5L TDi	6MM	WA106041L	4
12	Washer	2.5L TDi	M6, sprung	WL106001L	4
13	Nut - Hex.	2.5L TDi	M6, nyloc, Hexagonal	NH106041L	4
14	Bracket exhaust system	Change point - VIN begin GA460230, Change point - VIN end HA486551, 2.5L TDi	Front	NTC5648	2
		Change point - VIN begin HA000001, Change point - VIN end KA064754, 2.5L TDi	Front	NTC5648	2
		Change point - VIN begin LA064755, Change point - VIN end LA081991, 2.5L TDi	Front	ESR2764	2
15	Bracket exhaust system	Change point - VIN begin GA460230, Change point - VIN end HA486551, 2.5L TDi	Centre	NTC5634	1
		Change point - VIN begin HA000001, Change point - VIN end KA064754, 2.5L TDi	Centre	NTC5634	1
		Change point - VIN begin LA064755, Change point - VIN end LA081991, 2.5L TDi	Rear	ESR2763	1
		Change point - VIN begin MA081992, 2.5L TDi	Rear	ESR2945	1
		Change point - VIN begin MA081992, 2.5L TDi	Centre	ESR2131	1
		Change point - VIN begin MA081992, 2.5L TDi	Front	ESR2087	1
16	Screw	2.5L TDi	M8 X 16, hexagonal head	SH108161L	2
		2.5L TDi	M8 X 16, Flanged Head	FS108161L	2
17	Screw	2.5L TDi	hexagonal head, M8 x 40	SH108401L	1
18	Washer-Plain	2.5L TDi		WP105L	6
19	Nut - Hex.	2.5L TDi	M8	NV108041L	3
20	Mounting-rubber exhaust system	Change point - VIN begin GA460230, Change point - VIN end HA486551, 2.5L TDi	Rear	NTC5582	3

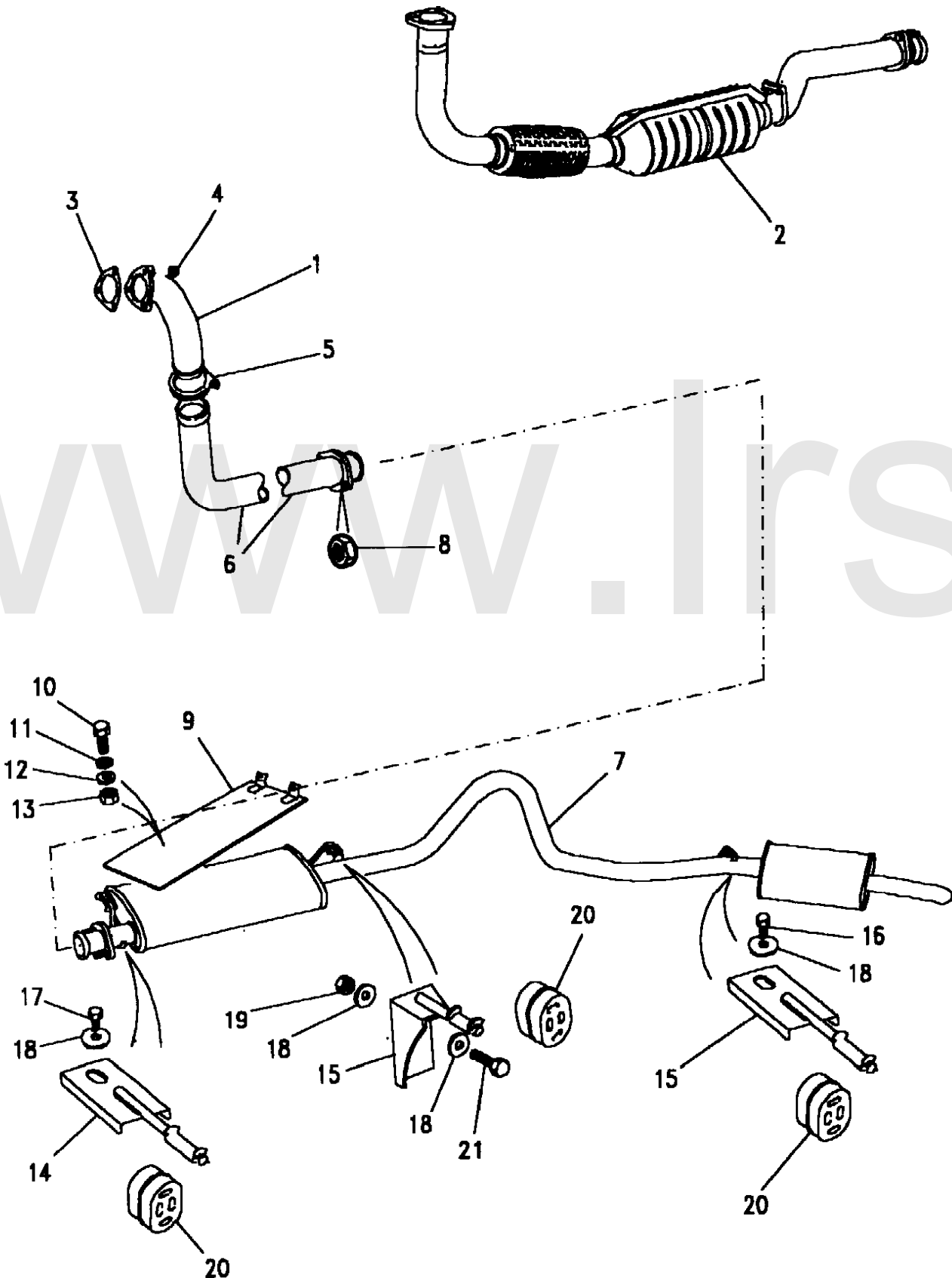
Exhaust Systems
Exhaust Diesel
Turbo Direct Injection Cont. 3/3

Discovery (FA393361-WA799999)
(CAKXDE4A)

Discovery (FA393361-WA799999)

Exhaust Systems
Exhaust Diesel
Turbo Direct Injection Cont.

Change point - VIN begin GA460230, 2.5L 4 Cyl Diesel



Callout	Name	Application	Remarks & Restrictions	Service No.	Qty
20	Mounting-rubber exhaust system	Change point - VIN begin HA000001, Change point - VIN end KA064754, 2.5L TDi Change point - VIN begin LA064755, Change point - VIN end MA090610, 2.5L TDi Change point - VIN begin MA090611, 2.5L TDi	Rear front & rear	NTC5582 NTC3650 ESR3172	3 3 3
21	Screw	2.5L TDi	hexagonal head, M8 x 40	SH108401	1

www.lrservice.ru

Exhaust Systems
Exhaust Petrol
Carburetter Catalyst 1/1

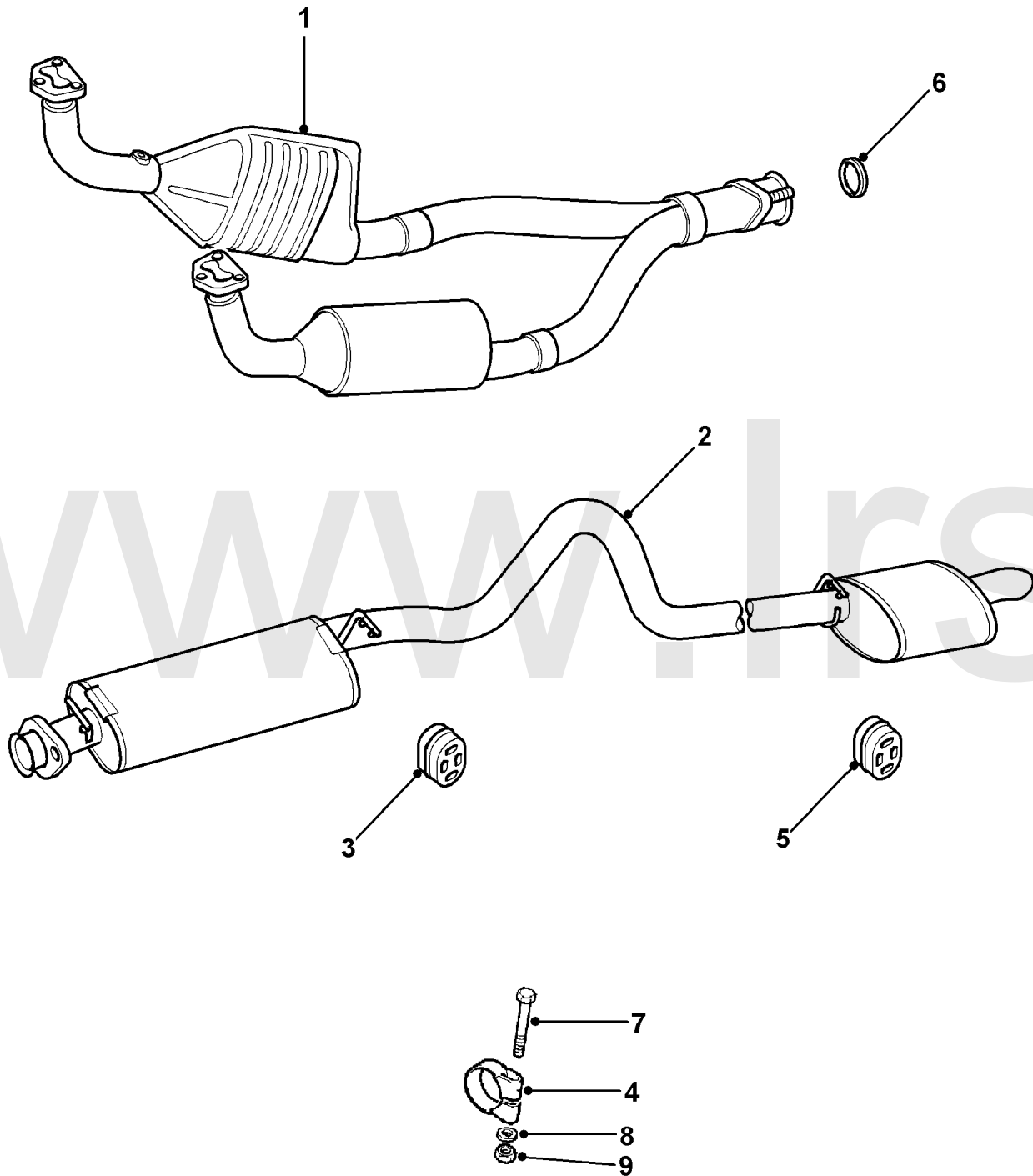
Discovery (FA393361-WA799999)
(LK0021)

Discovery (FA393361-WA799999)

Exhaust Systems
Exhaust Petrol
Carburetter Catalyst

3.5L V8 Twin Carb Petrol

Callout	Name	Application	Remarks & Restrictions	Service No.	Qty
[1]	Catalytic converter assembly engine exhaust	V8 Twin Carb		ESR58	1
[2]	Intermediate/rear assembly exhaust system	V8 Twin Carb		ESR59	1
[3]	Bracket-exhaust mounting/lashing hanger	V8 Twin Carb		ESR67	1
[4]	Clamp	V8 Twin Carb		NTC5615	1
[5]	Mounting-rubber exhaust system	V8 Twin Carb	Rear	NTC5582	1
[6]	Olive	V8 Twin Carb	exhaust pipe joint flange	NTC1030	1
[7]	Bolt	V8 Twin Carb	M8 x 50	BH108101L	3
[8]	Washer	V8 Twin Carb	M8, sprung	WL108001L	3
[9]	Nut - Hex.	V8 Twin Carb	M8, nyloc	NY108041L	3



H02.005
02-2004
L4
LK0021

Exhaust Systems
Exhaust Petrol
Downpipe Petrol 1/1

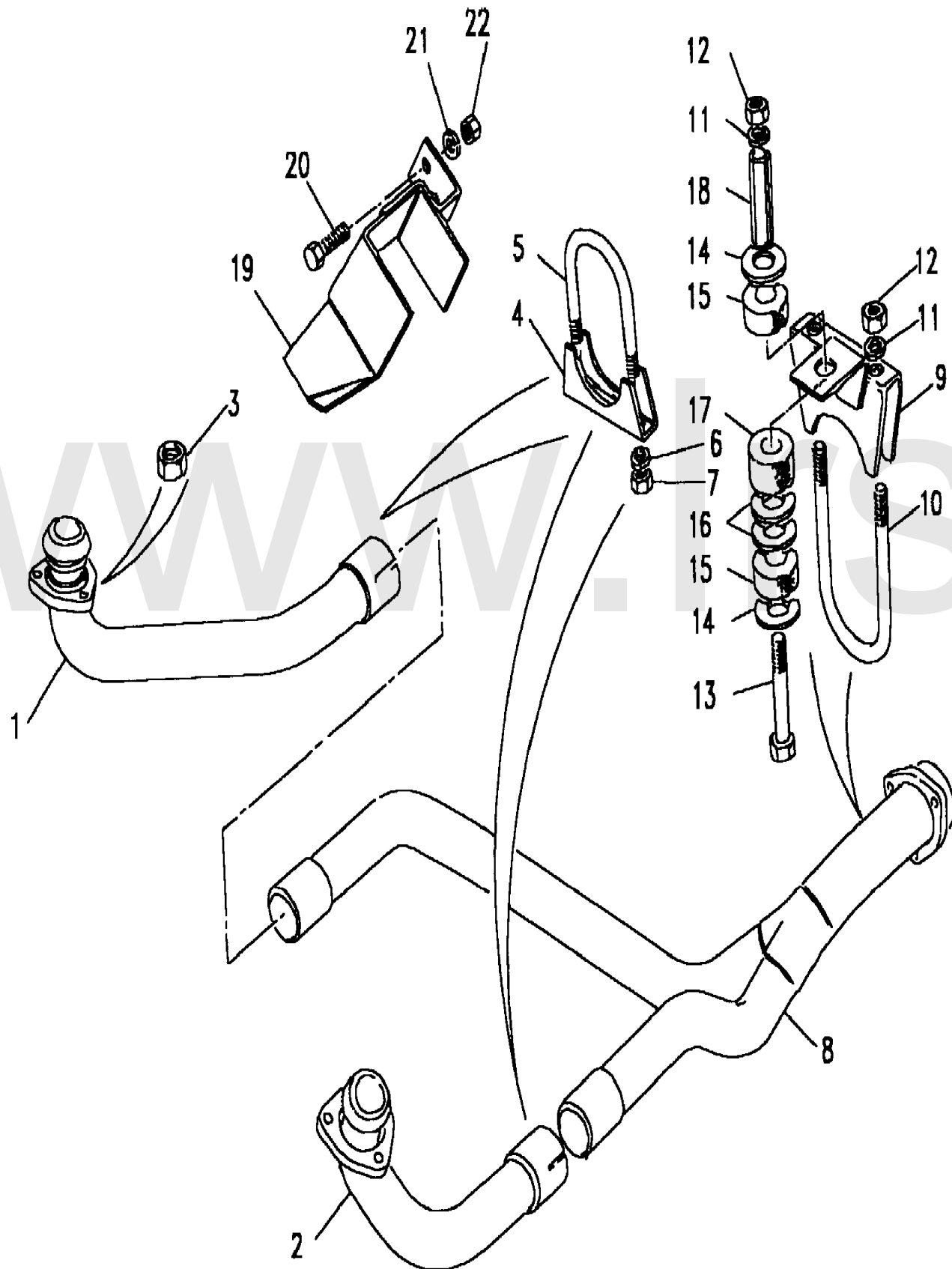
Discovery (FA393361-WA799999)
(CAKXAA1A)

Discovery (FA393361-WA799999)

Exhaust Systems
Exhaust Petrol
Downpipe Petrol

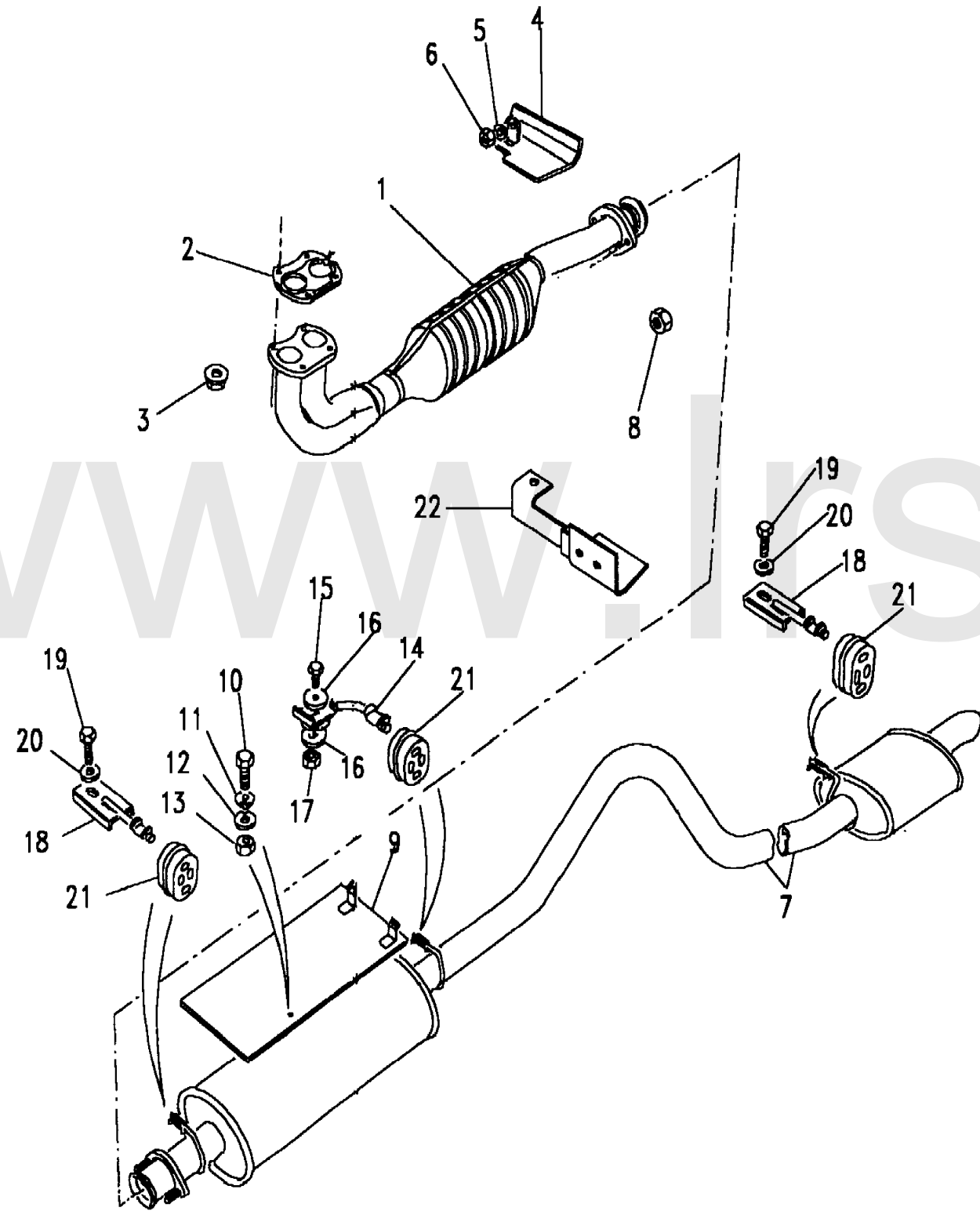
3.5L V8 Twin Carb Petrol

Callout	Name	Application	Remarks & Restrictions	Service No.	Qty
1	Downpipe assembly exhaust system	Change point - VIN end GA426799, V8 Twin Carb	RH	NTC2802	1
2	Downpipe assembly exhaust system	Change point - VIN end GA426799, V8 Twin Carb	LH	NTC3226	1
3	Nut - Hex.	Change point - VIN end GA426799, V8 Twin Carb	hexagonal head, 5/16UNF	NH605041L	6
4	Clamp	Change point - VIN end GA426799, V8 Twin Carb		NTC1954	2
5	Bolt-u	Change point - VIN end GA426799, V8 Twin Carb		NTC1947	2
6	Washer	Change point - VIN end GA426799, V8 Twin Carb	M8, sprung	WL108001L	4
7	Nut - Hex.	Change point - VIN end GA426799, V8 Twin Carb	M8, flange	FN108041L	4
8	Junction-'y' piece exhaust system	Change point - VIN end GA426799, V8 Twin Carb Change point - VIN end GA426800, V8 Twin Carb		NTC4061 NTC7662	1 1
9	Bracket-exhaust mounting	V8 Twin Carb		NTC1278	1
10	Bolt-u	V8 Twin Carb		NTC1277	1
11	Washer	V8 Twin Carb	M8, sprung	WL108001L	3
12	Nut - Hex.	V8 Twin Carb	M8, flange	FN108041L	3
13	Bolt	V8 Twin Carb	hexagonal head, M8 x 70	BH108141L	1
14	Washer-Plain	V8 Twin Carb		WP105L	2
15	Bush	V8 Twin Carb	exhaust mounting rubber outer	572166	2
16	Washer	V8 Twin Carb		ESR3263	2
17	Bush	V8 Twin Carb	exhaust mounting rubber middle	572167	1
18	Spacer	V8 Twin Carb		NRC5403	1
19	Heatshield assembly exhaust-downpipe	V8 Twin Carb		NTC4602	1
20	Screw	V8 Twin Carb	hexagonal head, M6 X 14	SH106141L	2
21	Washer	V8 Twin Carb	M6, sprung	WL106001L	2
22	Nut - Hex.	V8 Twin Carb	M6, nyloc, Hexagonal	NH106041L	2



Exhaust Systems
Exhaust Petrol
Exhaust System 1/3

Discovery (FA393361-WA799999)
(CAKXAC2A)



Discovery (FA393361-WA799999)

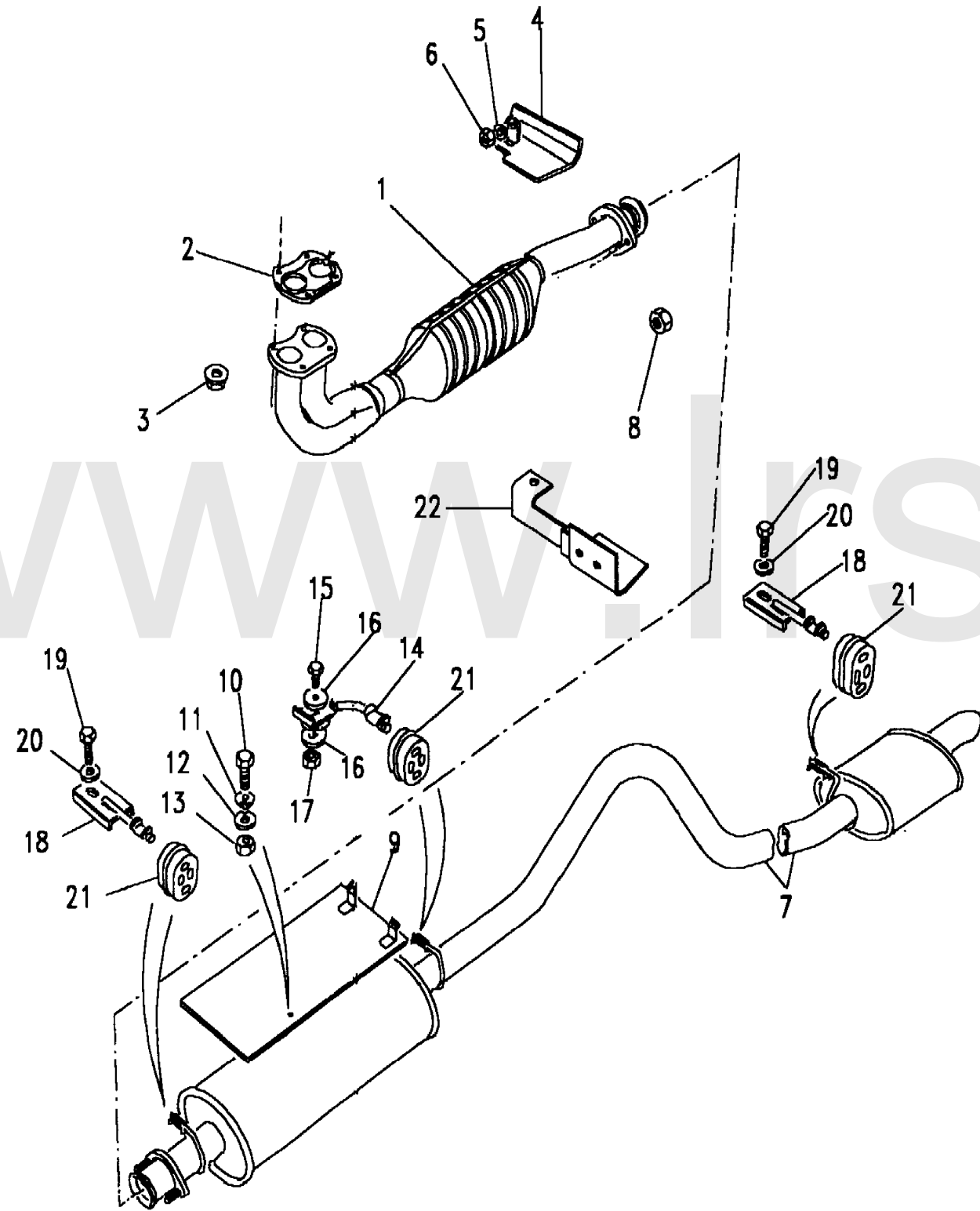
Exhaust Systems
Exhaust Petrol
Exhaust System

2.0L 4 Cyl MPi T Series Petrol

Callout	Name	Application	Remarks & Restrictions	Service No.	Qty
1	Downpipe assembly exhaust system	Change point - VIN end KA038821, 4 Cyl MPi Petrol, With Catalyst		ESR1698	1
		Change point - VIN begin KA038822, MPi		ESR2602	1
2	Gasket exhaust system	Change point - VIN end KA038821, MPi	manifold to downpipe	WCM10027	1
		Change point - VIN begin KA038822, Change point - VIN end LA081991, MPi	manifold to downpipe	WCM10027	1
		Change point - VIN begin KA038822, MPi	manifold to downpipe	ESR3122	1
		Change point - VIN begin MA081992, MPi	manifold to downpipe	ESR3122	1
3	Nut-flange-nyloc	Change point - VIN end KA038821, MPi	M10	ESR2034	4
		Change point - VIN begin KA038822, MPi	M10	ESR2034	4
4	Heatshield-bracket	Change point - VIN end KA038821, MPi		ESR109	1
		Change point - VIN begin KA038822, MPi		ESR109	1
5	Washer	Change point - VIN end KA038821, MPi	M10	WA110061L	1
		Change point - VIN begin KA038822, MPi	M10	WA110061L	1
6	Nut - Hex.	Change point - VIN end KA038821, MPi	M10, flange	FN110041L	1
		Change point - VIN end KA038821, MPi	M10, flange	FN110047	1
		Change point - VIN begin KA038822, MPi	M10, flange	FN110041L	1
		Change point - VIN begin KA038822, MPi	M10, flange	FN110047	1
7	Intermediate/rear assembly exhaust system	Change point - VIN end KA038821, MPi		ESR1699	1
		Change point - VIN begin KA038822, MPi		ESR1699	1
8	Nut - Hex.	Change point - VIN end KA038821, MPi	M8	NV108041L	2
		Change point - VIN begin KA038822, MPi	M8	NV108041L	2
9	Heatshield-tunnel exhaust system	Change point - VIN end KA038821, MPi		NRC7649	1
		Change point - VIN begin KA038822, MPi		NRC7649	1
10	Screw-flanged head	Change point - VIN end KA038821, MPi	M6 X 16, Flanged Head	FS106167L	2

Exhaust Systems
Exhaust Petrol
Exhaust System 2/3

Discovery (FA393361-WA799999)
(CAKXAC2A)



Discovery (FA393361-WA799999)

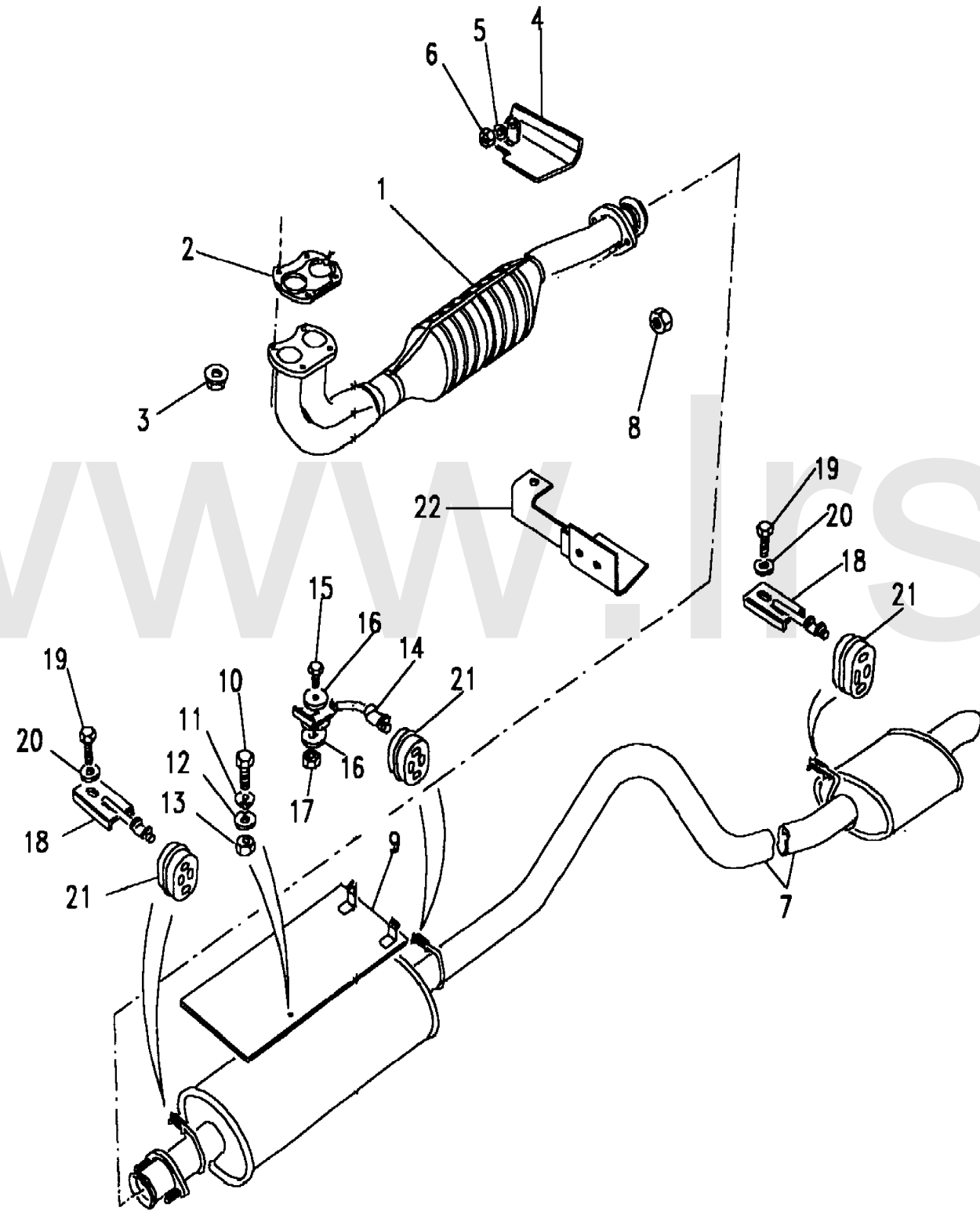
Exhaust Systems
Exhaust Petrol
Exhaust System

2.0L 4 Cyl MPi T Series Petrol

Callout	Name	Application	Remarks & Restrictions	Service No.	Qty
10	Screw-flanged head	Change point - VIN begin KA038822, MPi	M6 X 16, Flanged Head	FS106167L	2
11	Washer	Change point - VIN end KA038821, MPi	6MM	WA106041L	4
		Change point - VIN begin KA038822, MPi	6MM	WA106041L	4
12	Washer	Change point - VIN end KA038821, MPi	M6, sprung	WL106001L	4
		Change point - VIN begin KA038822, MPi	M6, sprung	WL106001L	4
13	Nut - Hex.	Change point - VIN end KA038821, MPi	M6, nyloc, Hexagonal	NH106041L	4
		Change point - VIN begin KA038822, MPi	M6, nyloc, Hexagonal	NH106041L	4
14	Bracket exhaust system	Change point - VIN end KA038821, MPi	Centre	NTC5634	1
		Change point - VIN begin KA038822, MPi	Centre	NTC5634	1
15	Screw	Change point - VIN end KA038821, MPi	hexagonal head, M8 x 40	SH108401L	1
		Change point - VIN begin KA038822, MPi	hexagonal head, M8 x 40	SH108401L	1
		MPi	Flanged Head, M8 x 20	FS108207L	1
		Change point - VIN begin KA038822, MPi	M6 X 12, hexagonal head	SH106121L	1
		Change point - VIN begin KA038822, MPi	hexagonal head, M6 x 30	SH106301L	2
16	Washer-Plain	Change point - VIN end KA038821, MPi		WP105L	2
		Change point - VIN begin KA038822, MPi		WP105L	2
17	Nut - Hex.	Change point - VIN end KA038821, MPi	M8	NV108041L	1
		Change point - VIN begin KA038822, MPi	M8	NV108041L	1
18	Bracket exhaust system	Change point - VIN end KA038821, MPi	Front	NTC5648	2
		Change point - VIN begin KA038822, MPi	Front	NTC5648	2
19	Screw	Change point - VIN end KA038821, MPi	hexagonal head, M8 x 125	GG108251L	2
		Change point - VIN begin KA038822, MPi	hexagonal head, M8 x 125	GG108251L	2
20	Washer-Plain	Change point - VIN end KA038821, MPi		WP105L	2
		Change point - VIN begin KA038822, MPi		WP105L	2

Exhaust Systems
Exhaust Petrol
Exhaust System 3/3

Discovery (FA393361-WA799999)
(CAKXAC2A)



Discovery (FA393361-WA799999)

Exhaust Systems
Exhaust Petrol
Exhaust System

2.0L 4 Cyl MPi T Series Petrol

Callout	Name	Application	Remarks & Restrictions	Service No.	Qty
21	Mounting-rubber exhaust system	Change point - VIN end KA038821, MPi	Rear	NTC5582	3
		Change point - VIN begin KA038822, MPi	Rear	NTC5582	3
22	Hanger-exhaust front sub frame	Change point - VIN end KA038821, MPi		ESR2607	1
		Change point - VIN begin KA038822, MPi		ESR2607	1
[900]	Heatshield-front engine mounting	Change point - VIN begin KA037352, Change point - VIN end KA038821, MPi		ANR1892	1
[901]	Heatshield-exhaust manifold	Change point - VIN begin KA038822, Change point - VIN end LA081991, MPi		ESR2608	1
		Change point - VIN begin KA038822, MPi		ESR2819	1
		Change point - VIN begin MA081992, MPi		ESR2819	1
[902]	Spacer	Change point - VIN begin KA038822, MPi		ESR2736	2
[903]	Cover-engine exhaust manifold	Change point - VIN begin KA038822, Change point - VIN end LA081991, MPi		ESR2783	1
		Change point - VIN begin KA038822, MPi		ESR2820	1
		Change point - VIN begin MA081992, MPi		ESR2820	1

Exhaust Systems
Exhaust Petrol
Exhaust System 1/5

Discovery (FA393361-WA799999)

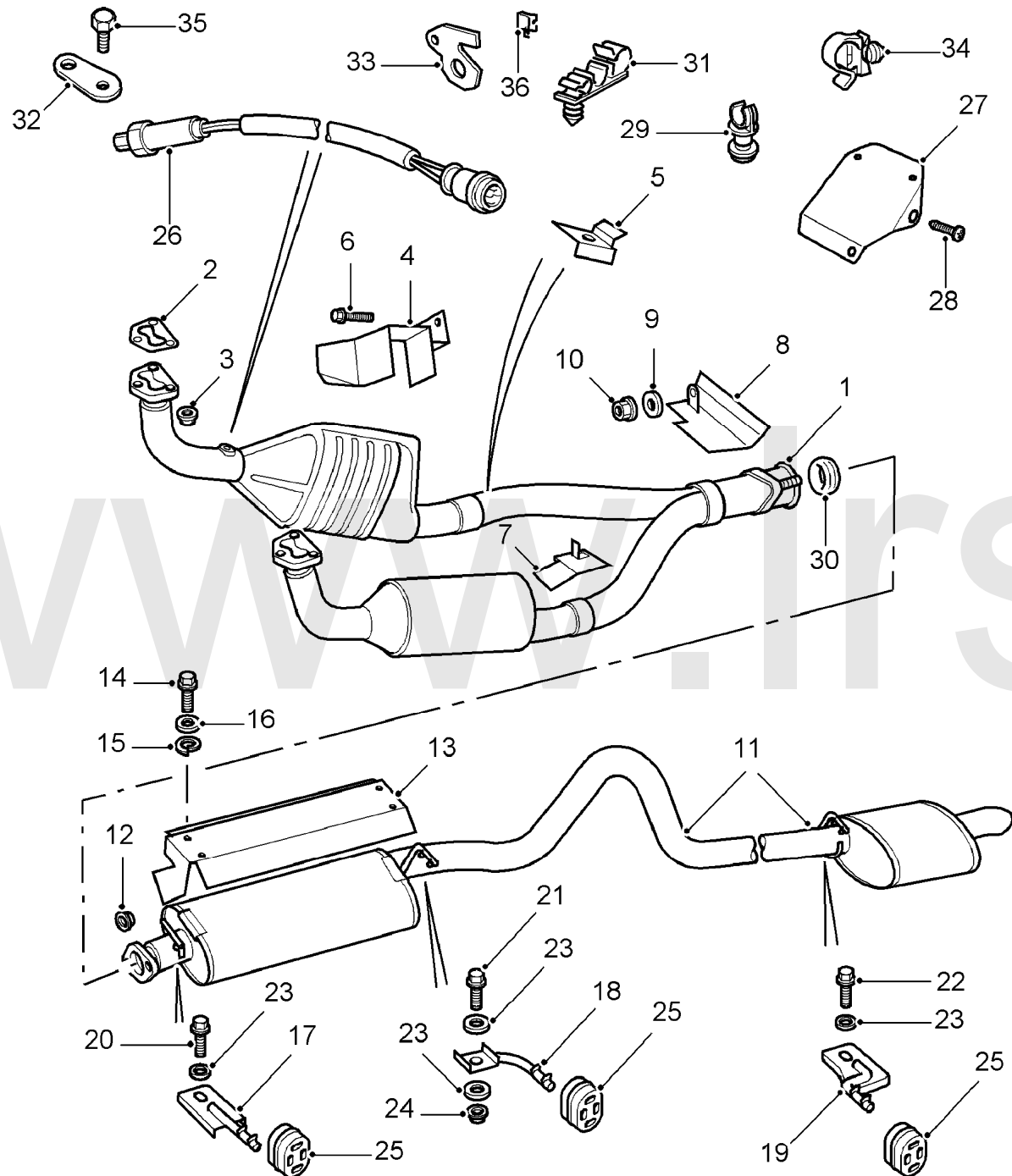
(CDKXAE1A)

Discovery (FA393361-WA799999)

Exhaust Systems
Exhaust Petrol
Exhaust System

V8 Petrol, With Catalyst

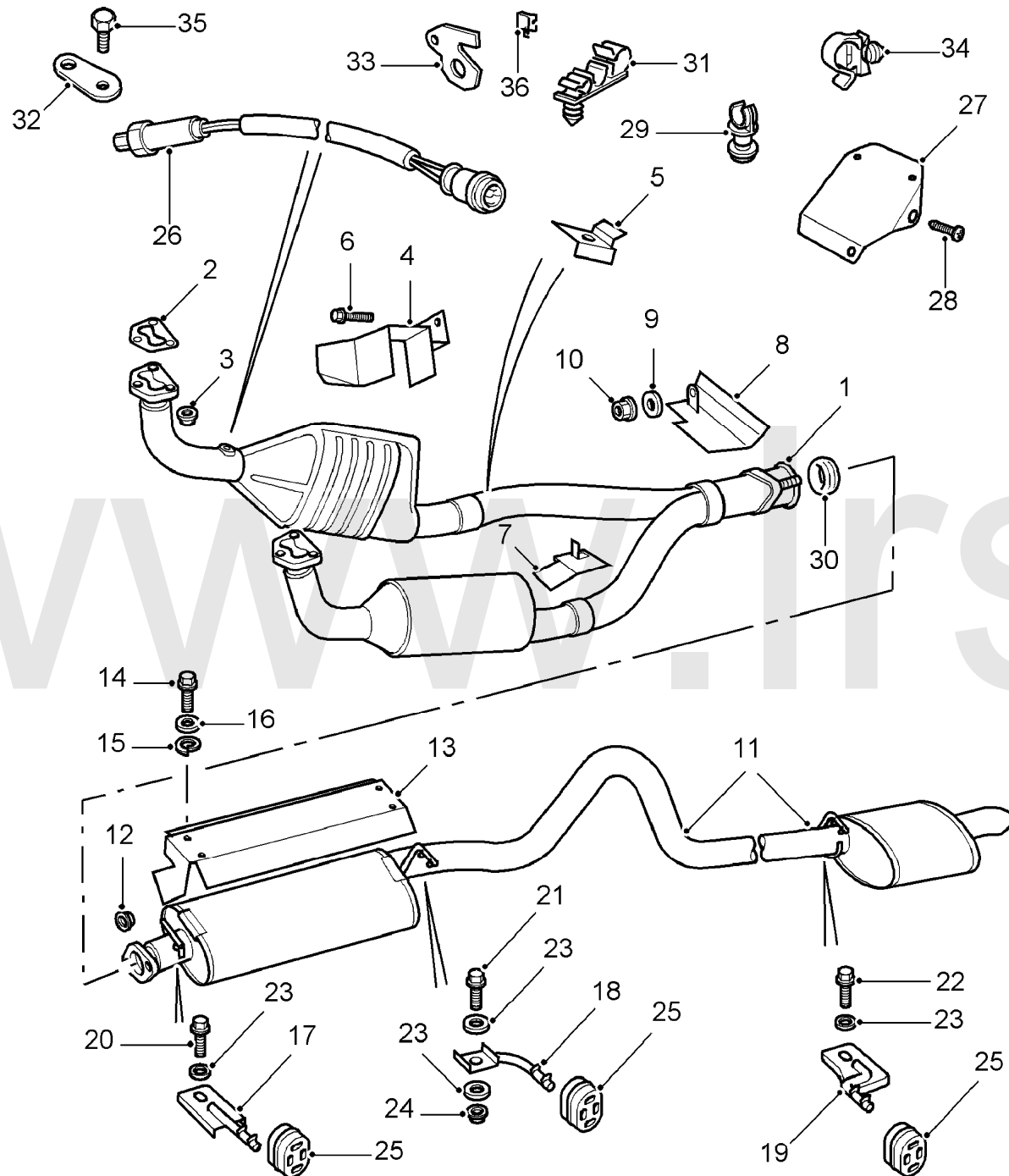
Callout	Name	Application	Remarks & Restrictions	Service No.	Qty
1	Downpipe assembly exhaust system	Change point - VIN end LA073567, V8 EFI Petrol, (-)"J"		NTC7319	1
		Change point - VIN begin LA073568, Change point - VIN end SA135999, V8 EFI		ESR3063	1
		Change point - VIN begin SA136000, Change point - VIN end SA163099, V8 EFI		ESR3059	1
		Change point - VIN begin SA136000, Change point - VIN end SA501919, V8 EFI		ESR3059	1
		Change point - VIN begin VA534104, V8 EFI Petrol, (-)"J"		ESR3730	1
		Change point - VIN begin VA703237, V8 EFI Petrol, (-)"J"		ESR3730	1
		Change point - VIN end LA073567, V8 EFI Petrol, (+)"J"		ESR2254	1
		Change point - VIN begin LA073568, V8 EFI Petrol, (+)"J"		ESR3062	1
		Change point - VIN begin TA163100, Change point - VIN end TA194199, (+)"CDN/MEX/USA"		ESR3805	1
		Change point - VIN begin TA501920, Change point - VIN end TA525033, (+)"CDN/MEX/USA"		ESR3805	1
		Change point - VIN begin TA194200, Change point - VIN end TA534103, (+)"CDN/MEX/USA"		ESR4188	1
		Change point - VIN begin TA525034, Change point - VIN end TA703236, (+)"CDN/MEX/USA"		ESR4188	1
		Change point - VIN begin VA534104, (+)"CDN/MEX/USA"		ESR4106	1
		Change point - VIN begin VA703237, (+)"CDN/MEX/USA"		ESR4106	1
		Change point - VIN begin SA145537, Change point - VIN end TA194199, With California Emission Requiremts, (+)"CDN/MEX/USA"		ESR3573	1
		Change point - VIN begin SA145537, Change point - VIN end TA525033, With California Emission Requiremts, (+)"CDN/MEX/USA"		ESR3573	1



H02.020
11-2002
L4
CDKXAE1A

V8 Petrol, With Catalyst

Callout	Name	Application	Remarks & Restrictions	Service No.	Qty
1	Downpipe assembly exhaust system	Change point - VIN begin TA194200, Change point - VIN end TA534103, With California Emission Requiremts, (+)"CDN/MEX/USA"		ESR4097	1
		Change point - VIN begin TA525034, Change point - VIN end TA703236, With California Emission Requiremts, (+)"CDN/MEX/USA"		ESR4097	1
		Change point - VIN begin VA534104, With California Emission Requiremts, (+)"CDN/MEX/USA"		ESR4106	1
		Change point - VIN begin VA703237, With California Emission Requiremts, (+)"CDN/MEX/USA"		ESR4106	1
		(+)"CDN/MEX/USA"	Advance Evaporative Loss	WCD104650	1
		V8 EFI	manifold to downpipe	ETC4524	2
		Change point - VIN begin VA534104, V8 EFI, Manual Transmission		ESR3737	1
2	Gasket exhaust system	Change point - VIN begin VA703237, V8 EFI, Manual Transmission		ESR3737	1
3	Nut-locking	Change point - VIN end SA117157, V8 EFI	M8	ESR2033	6
		Change point - VIN begin SA117158, (+)"CDN/MEX/USA"	Advance Evaporative Loss	ERR4245	6
4	Heatshield assembly exhaust-downpipe	V8 EFI		NTC4602	1
5	Heatshield-catalyst bulkhead	Change point - Engine begin 23D06759D, V8 EFI		ERR3601	1
6	Screw	V8 EFI	Flanged Head, M6 x 25	FS106255L	2
7	Heat Shield	Automatic Transmission, (+)"CDN/MEX/USA"	ENG MOUNTING, LH Rear	NTC4255	1
		Change point - VIN end TA194199, V8 EFI, Manual Transmission	Slave Cylinder	NTC7345	1
		Change point - VIN end TA525033, V8 EFI, Manual Transmission	Slave Cylinder	NTC7345	1
		Change point - VIN begin VA534104, V8 EFI	Slave Cylinder	WEB101550	1
		Change point - VIN begin TA194200, Manual Transmission, (+)"CDN/MEX/USA"	Slave Cylinder	ESR4516	1

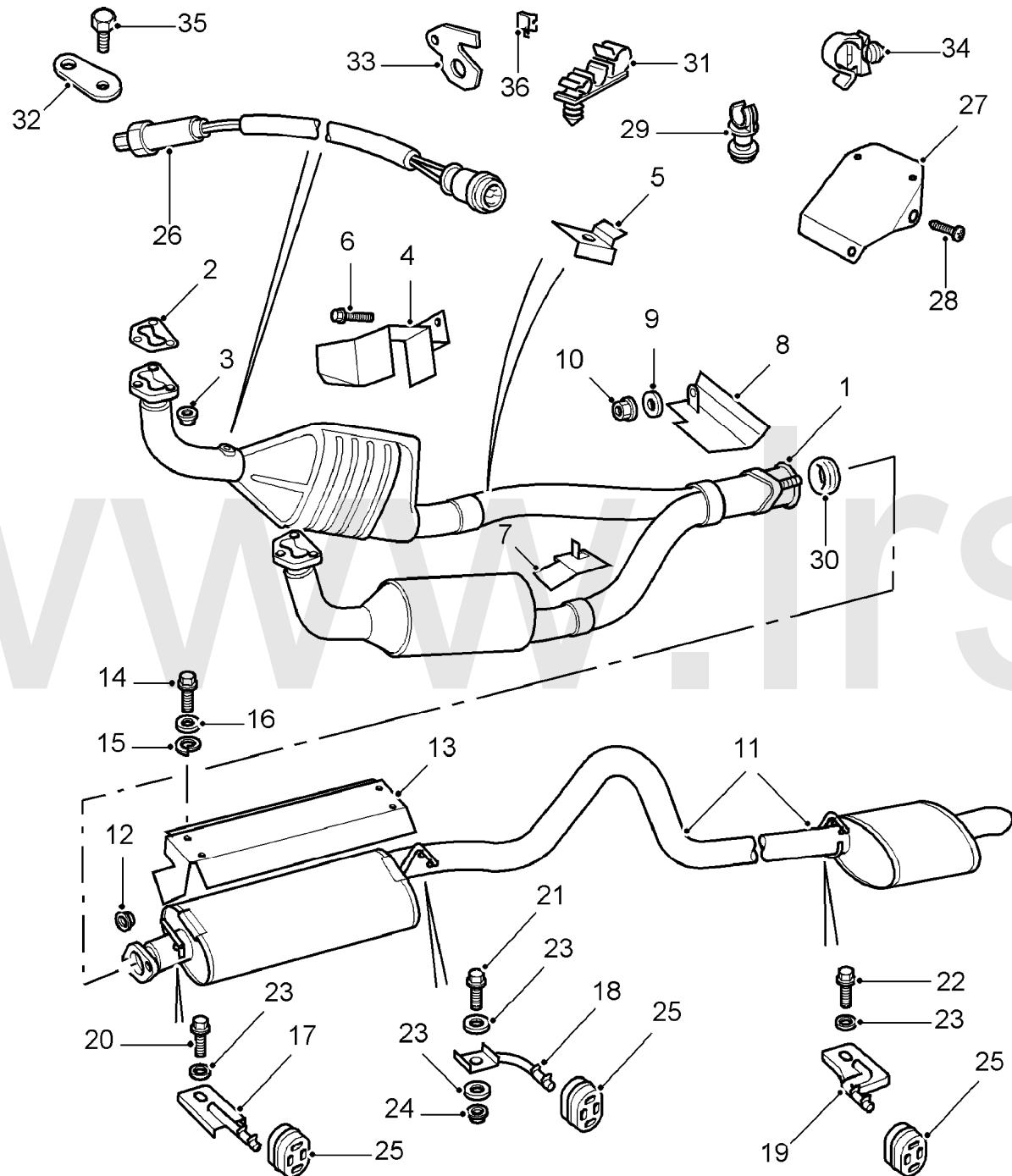


H02.020
11-2002
L4
CDKXAE1A

Exhaust Systems
Exhaust Petrol
Exhaust System 3/5

Discovery (FA393361-WA799999)

(CDKXAE1A)



H02.020
11-2002
L4
CDKXAE1A

Discovery (FA393361-WA799999)

Exhaust Systems
Exhaust Petrol
Exhaust System

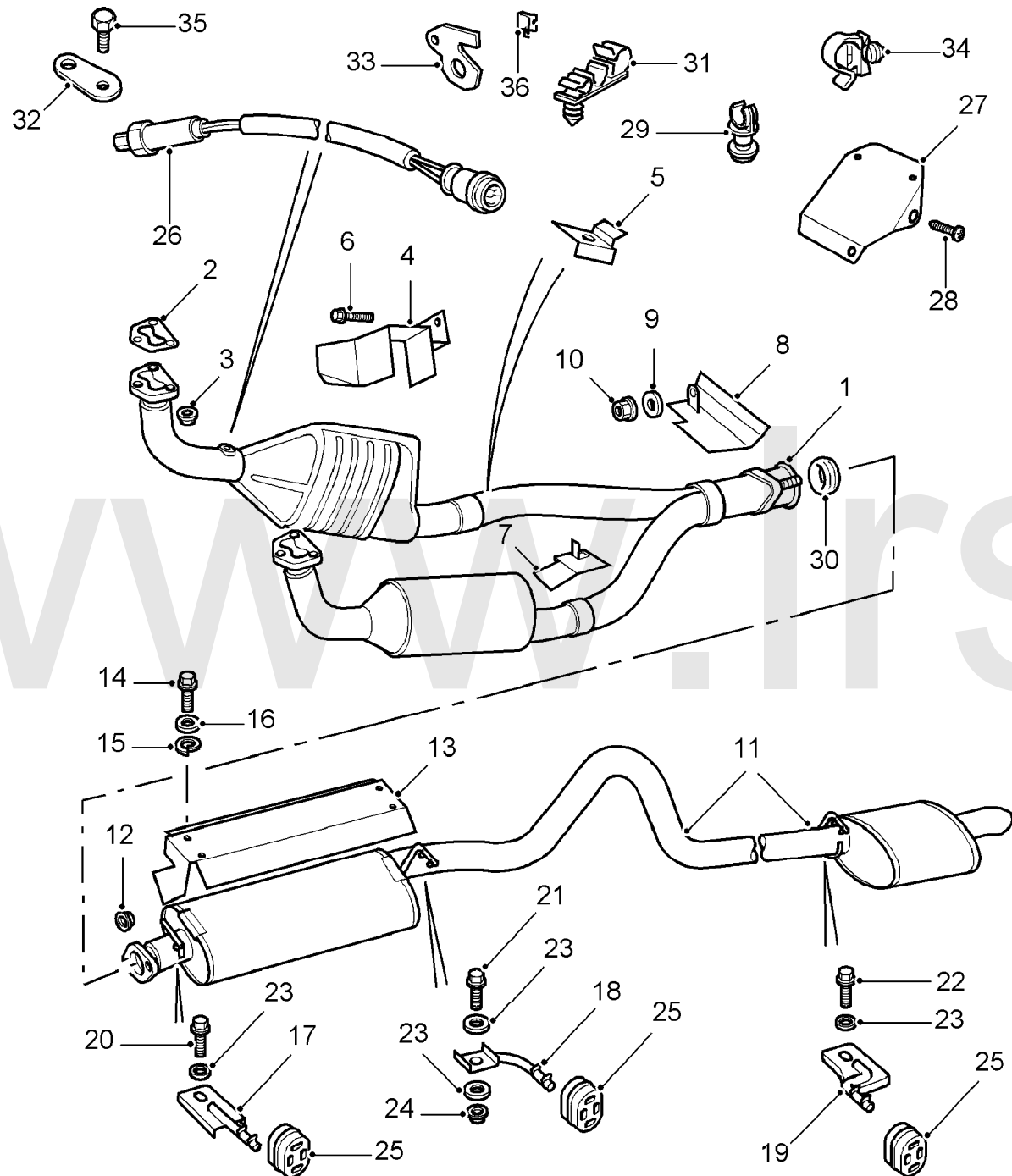
V8 Petrol, With Catalyst

Callout	Name	Application	Remarks & Restrictions	Service No.	Qty
7	Heat Shield	Change point - VIN begin TA525034, Manual Transmission, (+)"CDN/MEX/USA"	Slave Cylinder	ESR4516	1
8	Heatshield-bracket	Change point - VIN end KA064262, V8 EFI Change point - VIN begin KA064262, V8 EFI		ESR109 ANR3227	1 1
9	Washer	V8 EFI	M10	WA110061L	1
10	Nut - Hex.	V8 EFI V8 EFI	M10, flange M10, flange	FN110041L FN110047	1 1
11	Rear assembly exhaust system	Change point - VIN end MA163104, V8 EFI Change point - VIN begin TA163105, Change point - VIN end TA166329, V8 EFI, Automatic Transmission Change point - VIN begin TA501921, Change point - VIN end TA502742, V8 EFI, Automatic Transmission Change point - VIN begin TA166330, V8 EFI, Automatic Transmission Change point - VIN begin TA502743, V8 EFI, Automatic Transmission Change point - VIN begin TA166330, V8 EFI, Automatic Transmission	Rear	NTC7426 ESR3670 ESR3670 ESR3969 ESR3969	1 1 1 1 1
12	Nut - Hex.	V8 EFI	M10	NV110041L	2
13	Heatshield assembly exhaust-intermediate	Change point - VIN end MA163104, V8 EFI Change point - VIN begin TA166330, V8 EFI Change point - VIN begin TA502743, V8 EFI		NTC7196 ESR3671 ESR3671	1 1 1
14	Screw-flanged head	Change point - VIN begin TA166330, V8 EFI Change point - VIN begin TA502743, V8 EFI V8 EFI V8 EFI	M6 X 16, Flanged Head M6 X 16, Flanged Head M6 X 16, Flanged Head M6 X 16, hexagonal head	FS106161L FS106161L FS106167L SH106167L	1 1 1 4
15	Washer	V8 EFI	6MM	WA106041L	4
16	Washer	V8 EFI	M6, sprung	WL106001L	4
17	Bracket-exhaust mounting	V8 EFI		ESR2421	1

Exhaust Systems
Exhaust Petrol
Exhaust System 4/5

Discovery (FA393361-WA799999)

(CDKXAE1A)



H02.020
11-2002
L4
CDKXAE1A

Discovery (FA393361-WA799999)

Exhaust Systems
Exhaust Petrol
Exhaust System

V8 Petrol, With Catalyst

Callout	Name	Application	Remarks & Restrictions	Service No.	Qty
17	Bracket-exhaust mounting	(+)"CDN/MEX/USA"		NTC7348	1
18	Bracket exhaust system	V8 EFI	Centre	NTC5634	1
19	Bracket exhaust system	V8 EFI	Rear	ESR101	1
20	Screw	V8 EFI V8 EFI	M8 X 16, hexagonal head M8 X 16, Flanged Head	SH108161L FS108161L	1 1
21	Screw	V8 EFI	hexagonal head, M8 x 40	SH108401L	1
22	Screw	V8 EFI V8 EFI	M8 x 25, hexagonal head M8 x 25, Flanged Head	SH108251 FS108257	1 1
23	Washer-Plain	V8 EFI		WP105L	4
24	Nut - Hex.	V8 EFI	M8	NV108041L	1
25	Mounting-rubber exhaust system	V8 EFI	Rear	NTC5582	1
26	Sensor-oxygen multi point injection	Change point - VIN end SA501919, V8 EFI Change point - VIN end SA163099, V8 EFI Change point - VIN begin TA163100, (+)"CDN/MEX/USA" Change point - VIN begin TA501920, (+)"CDN/MEX/USA" (+)"CDN/MEX/USA"	Advance Evaporative Loss	PRC7062 PRC7062 ERR1834 ERR1834 AMR6244	2 2 4 4 4
27	Heatshield alternator	V8 EFI (+)"CDN/MEX/USA"	65 AMP Advance Evaporative Loss	ERR1608 ERR1608	1 1
28	Screw	V8 EFI (+)"CDN/MEX/USA"	Self Tapping, 10 x 3/8 Self Tapping, 10 x 3/8, Advance Evaporative Loss	AB610031L AB610031L	1 1
29	Clip	V8 EFI (+)"CDN/MEX/USA"	Pipe, Single Pipe, Advance Evaporative Loss, Single	PRC3180 PRC3180	1 1
30	Olive	(+)"CDN/MEX/USA"	Advance Evaporative Loss	CRC4579L	1
31	Clip	(+)"CDN/MEX/USA"	Advance Evaporative Loss	AMR5419	1
32	Bracket	(+)"CDN/MEX/USA"	Advance Evaporative Loss	PRC2979	2
33	Bracket	(+)"CDN/MEX/USA"	Advance Evaporative Loss	AMR4238	2
34	Clip	(+)"CDN/MEX/USA"	Advance Evaporative Loss	YYC103160	2

Exhaust Systems
Exhaust Petrol
Exhaust System 5/5

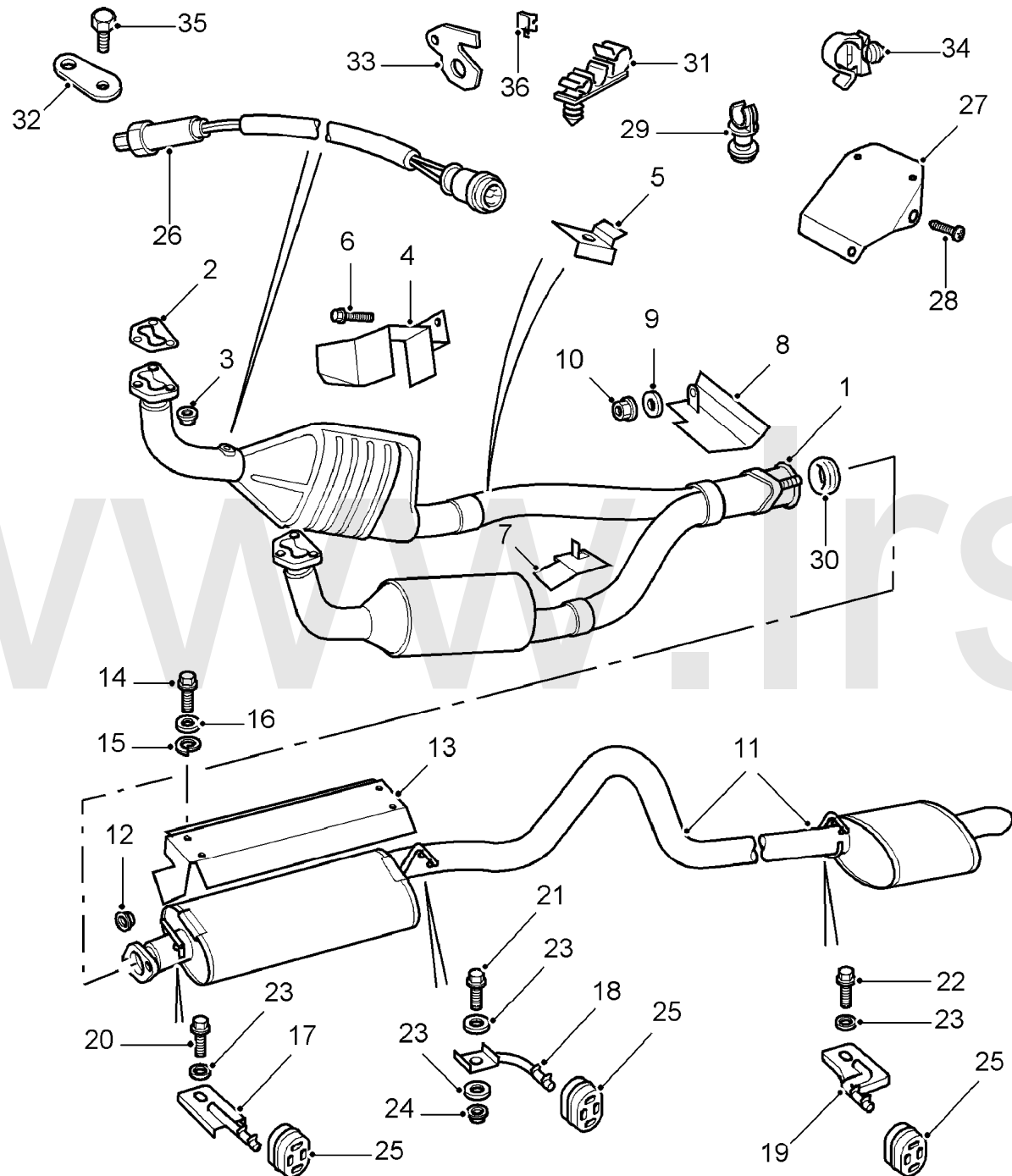
Discovery (FA393361-WA799999)
(CDKXAE1A)

Discovery (FA393361-WA799999)

Exhaust Systems
Exhaust Petrol
Exhaust System

V8 Petrol, With Catalyst

Callout	Name	Application	Remarks & Restrictions	Service No.	Qty
35	Screw	(+)"CDN/MEX/USA"	M8 X 16, Advance Evaporative Loss	FS108161L	1
36	Clip - Edge	(+)"CDN/MEX/USA"	Advance Evaporative Loss	ERR5194	2
[901]	Silencer assembly exhaust system	Change point - VIN begin VA534104, V8 EFI Petrol, Manual Transmission Change point - VIN begin VA703237, V8 EFI Petrol, Manual Transmission		ESR3735 ESR3735	1 1
[902]	Tailpipe exhaust system	Change point - VIN begin VA534104, V8 EFI, Manual Transmission Change point - VIN begin VA703237, V8 EFI, Manual Transmission		ESR3736 ESR3736	1 1
[903]	Clip	Change point - VIN begin TA166330, V8 EFI Change point - VIN begin TA502743, V8 EFI		ESR2928 ESR2928	1 1
[904]	Heatshield assembly exhaust-rear	Change point - VIN begin VA534104, V8 EFI Change point - VIN begin VA703237, V8 EFI		ESR4117 ESR4117	1 1



H02.020
11-2002
L4
CDKXAE1A

Exhaust Systems
Exhaust Petrol
Exhaust System 1/2

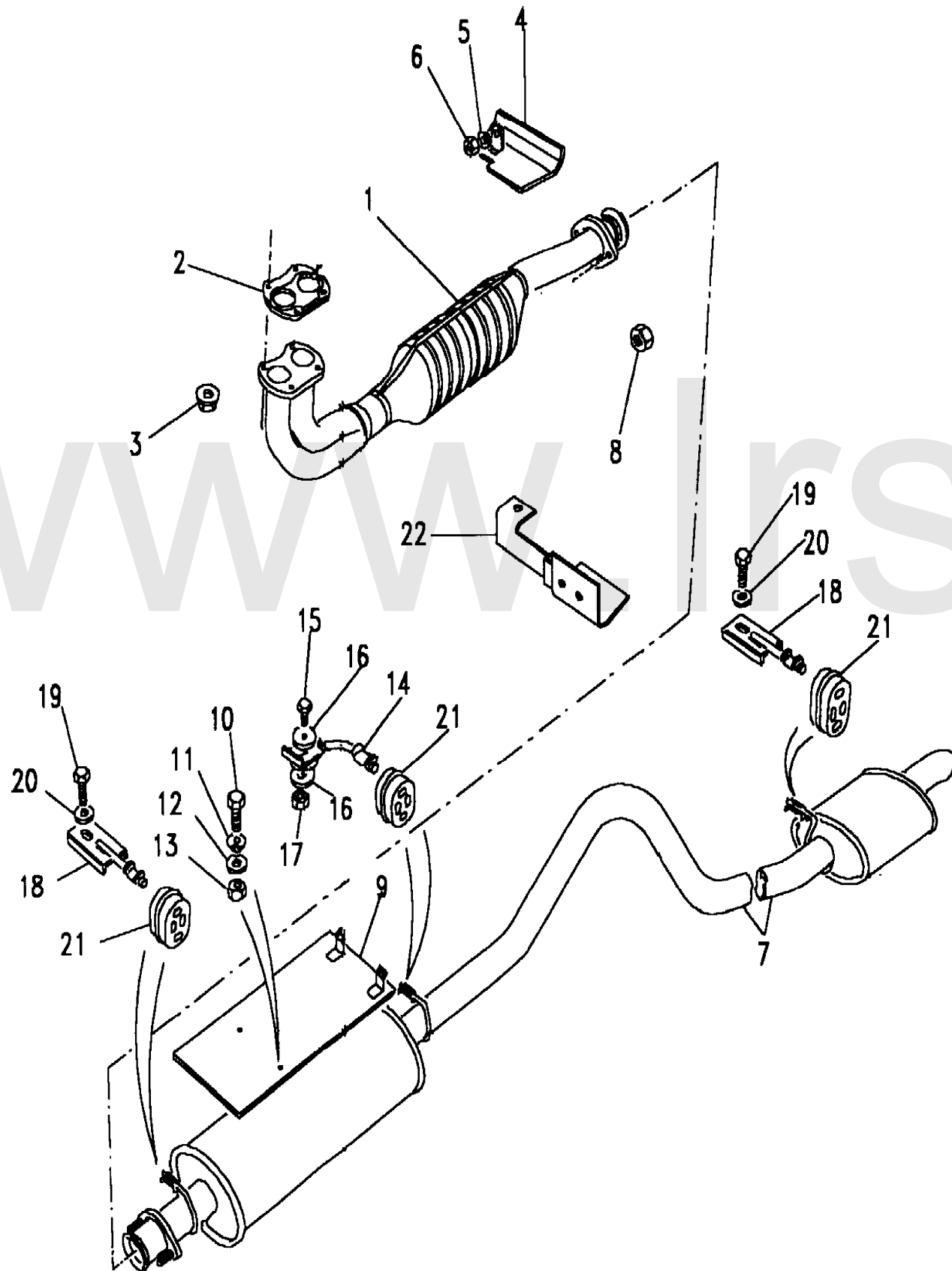
Discovery (FA393361-WA799999)
(CAKXAE3A)

Discovery (FA393361-WA799999)

Exhaust Systems
Exhaust Petrol
Exhaust System

Change point - VIN begin KA038822, 2.0L 4 Cyl MPi T Series Petrol, Less Catalyst

Callout	Name	Application	Remarks & Restrictions	Service No.	Qty
1	Downpipe assembly exhaust system	Change point - VIN begin KA038822, Change point - VIN end KA064754, 4 Cyl MPi Petrol Change point - VIN begin LA064755, 4 Cyl MPi Petrol		ESR2620 ESR2889	1 1
2	Gasket exhaust system	Change point - VIN begin KA038822, Change point - VIN end LA081991, 4 Cyl MPi Petrol Change point - VIN begin MA081992, 4 Cyl MPi Petrol	manifold to downpipe manifold to downpipe	WCM10027 ESR3122	1 1
3	Nut-flange-nyloc	MPi	M10	ESR2034	4
4	Heatshield-bracket	MPi		ESR109	1
5	Washer	MPi	M10	WA110061L	1
6	Nut - Hex.	MPi MPi	M10, flange M10, flange	FN110041L FN110047	1 1
7	Intermediate/rear assembly exhaust system	MPi		ESR1699	1
8	Nut - Hex.	MPi	M8	NV108041L	2
9	Heatshield-tunnel exhaust system	MPi		NRC7649	1
10	Screw-flanged head	MPi	M6 X 16, Flanged Head	FS106167L	2
11	Washer	MPi	6MM	WA106041L	4
12	Washer	MPi	M6, sprung	WL106001L	4
13	Nut - Hex.	MPi	M6, nyloc, Hexagonal	NH106041L	4
14	Bracket exhaust system	MPi	Centre	NTC5634	1
15	Screw	MPi MPi MPi MPi	hexagonal head, M8 x 40 Flanged Head, M8 x 20 M6 X 12, hexagonal head hexagonal head, M6 x 30	SH108401L FS108207L SH106121L SH106301L	1 1 1 2
16	Washer-Plain	MPi		WP105L	2
17	Nut - Hex.	MPi	M8	NV108041L	1
18	Bracket exhaust system	MPi	Front	NTC5648	2



Exhaust Systems
Exhaust Petrol
Exhaust System 2/2

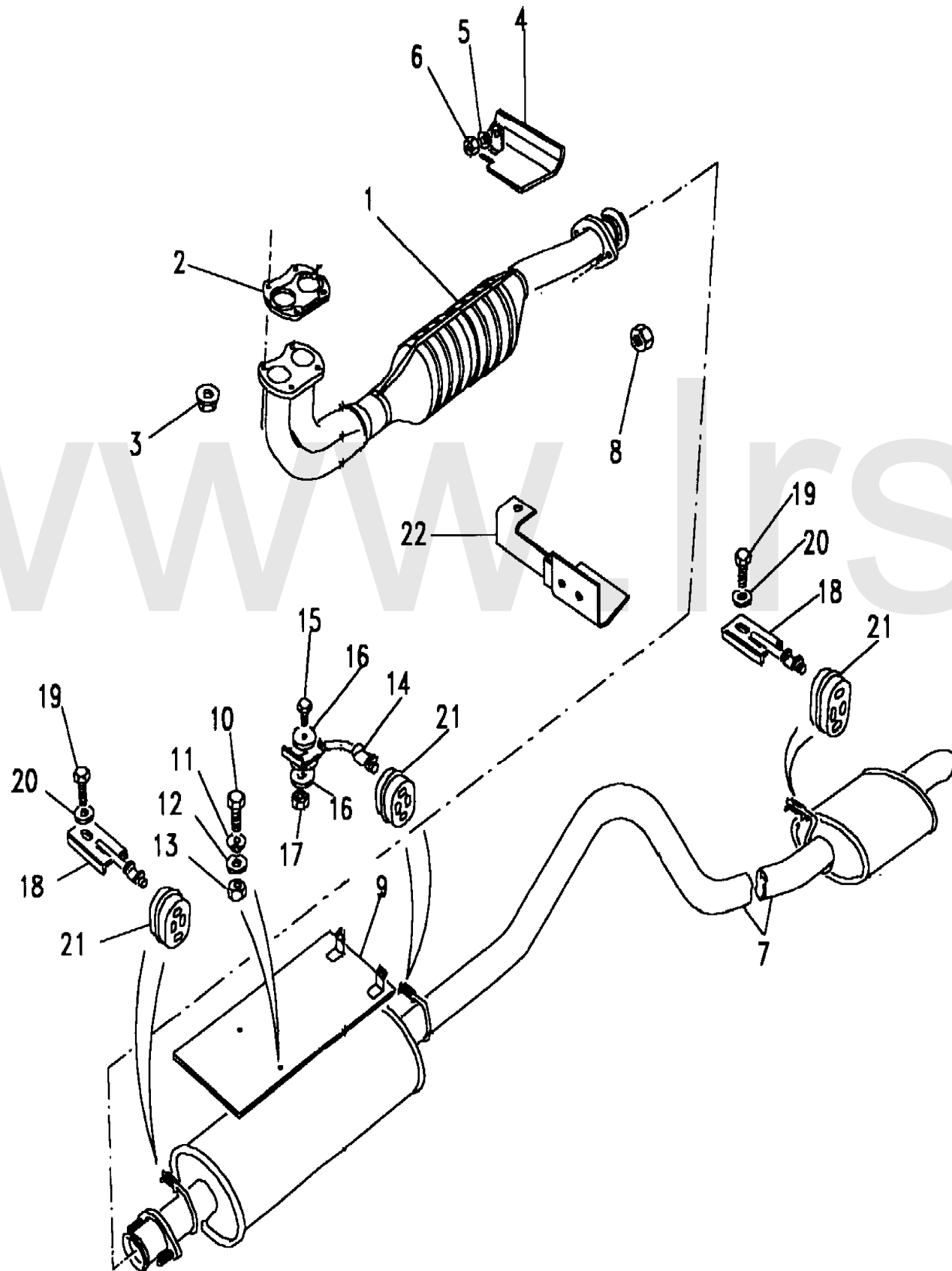
Discovery (FA393361-WA799999)
(CAKXAE3A)

Discovery (FA393361-WA799999)

Exhaust Systems
Exhaust Petrol
Exhaust System

Change point - VIN begin KA038822, 2.0L 4 Cyl MPi T Series Petrol, Less Catalyst

Callout	Name	Application	Remarks & Restrictions	Service No.	Qty
19	Screw	MPi	hexagonal head, M8 x 125	GG108251L	2
20	Washer-Plain	MPi		WP105L	2
21	Mounting-rubber exhaust system	MPi	Rear	NTC5582	3
22	Hanger-exhaust front sub frame	MPi		ESR2607	1
[900]	Heatshield-exhaust manifold	Change point - VIN begin KA038822, Change point - VIN end LA081991, MPi Change point - VIN begin MA081992, MPi		ESR2608 ESR2819	1 1
[901]	Spacer	MPi		ESR2736	2
[902]	Cover-engine exhaust manifold	Change point - VIN begin KA038822, Change point - VIN end LA081991, MPi Change point - VIN begin KA038822, MPi Change point - VIN begin MA081992, MPi		ESR2783 ESR2820 ESR2820	1 1 1



Exhaust Systems
Exhaust Petrol
Exhaust System 1/1

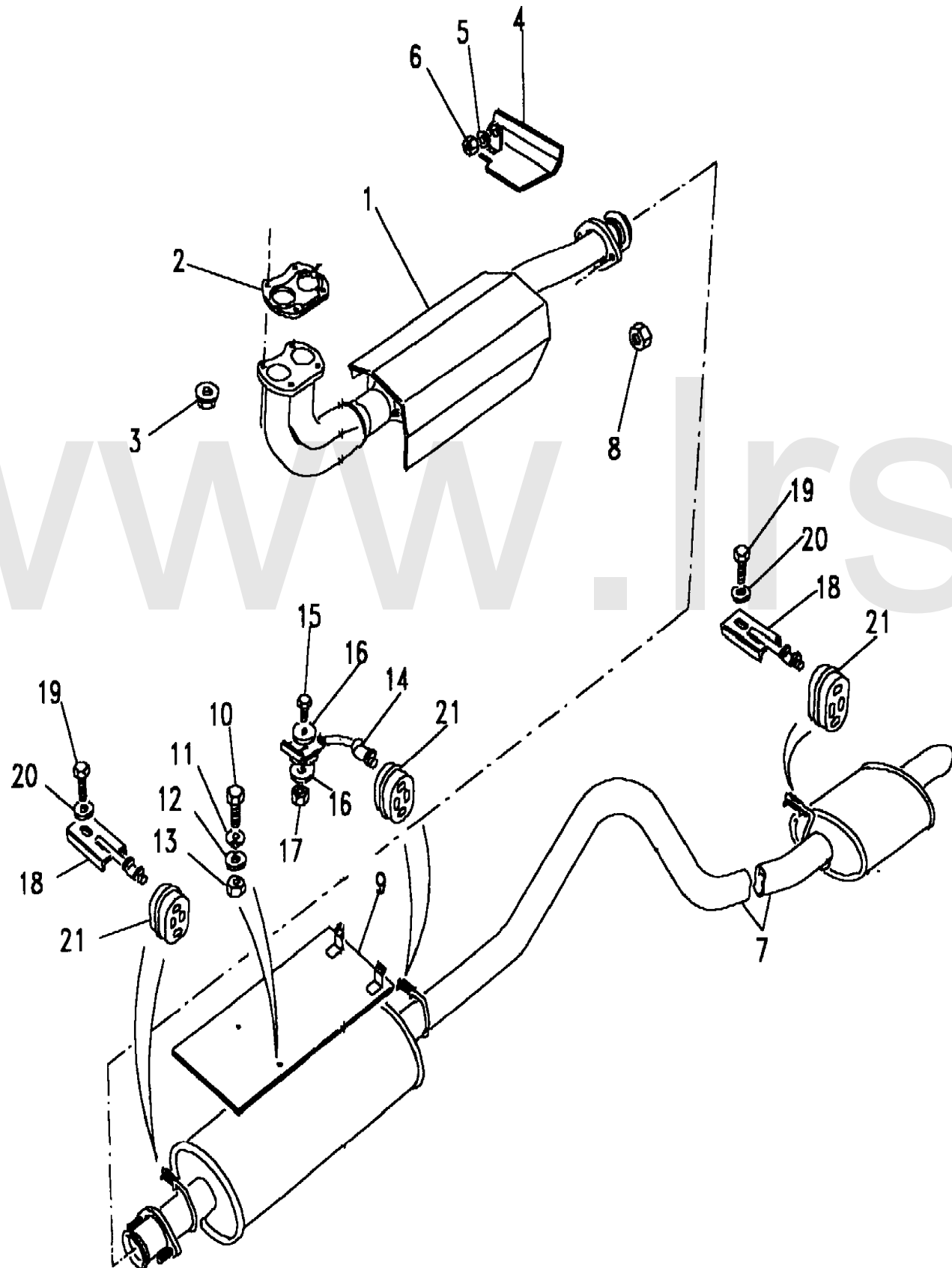
Discovery (FA393361-WA799999)
(CAKXAE2A)

Discovery (FA393361-WA799999)

Exhaust Systems
Exhaust Petrol
Exhaust System

Change point - VIN end KA038821, 2.0L 4 Cyl MPi T Series Petrol, Less Catalyst

Callout	Name	Application	Remarks & Restrictions	Service No.	Qty
1	Downpipe assembly exhaust system	4 Cyl MPi Petrol		ESR2620	1
2	Gasket exhaust system	MPi	manifold to downpipe	WCM10027	1
3	Nut-flange-nyloc	MPi	M10	ESR2034	4
4	Heatshield-bracket	MPi		ESR109	1
5	Washer	MPi	M10	WA110061L	1
6	Nut - Hex.	MPi MPi	M10, flange M10, flange	FN110041L FN110047	1 1
7	Intermediate/rear assembly exhaust system	MPi		ESR1699	1
8	Nut - Hex.	MPi	M8	NV108041L	2
9	Heatshield-tunnel exhaust system	MPi		NRC7649	1
10	Screw-flanged head	MPi	M6 X 16, Flanged Head	FS106167L	2
11	Washer	MPi	6MM	WA106041L	4
12	Washer	MPi	M6, sprung	WL106001L	4
13	Nut - Hex.	MPi	M6, nyloc, Hexagonal	NH106041L	4
14	Bracket exhaust system	MPi	Centre	NTC5634	1
15	Screw	MPi	hexagonal head, M8 x 40	SH108401L	1
16	Washer-Plain	MPi		WP105L	2
17	Nut - Hex.	MPi	M8	NV108041L	1
18	Bracket exhaust system	MPi	Front	NTC5648	2
19	Screw	MPi	hexagonal head, M8 x 125	GG108251L	2
20	Washer-Plain	MPi		WP105L	2
21	Mounting-rubber exhaust system	MPi	Rear	NTC5582	3
[900]	Heatshield-front engine mounting	Change point - VIN begin KA037352, Change point - VIN end KA038821, MPi		ANR1892	1



Exhaust Systems
Exhaust Petrol
Exhaust System 1/2

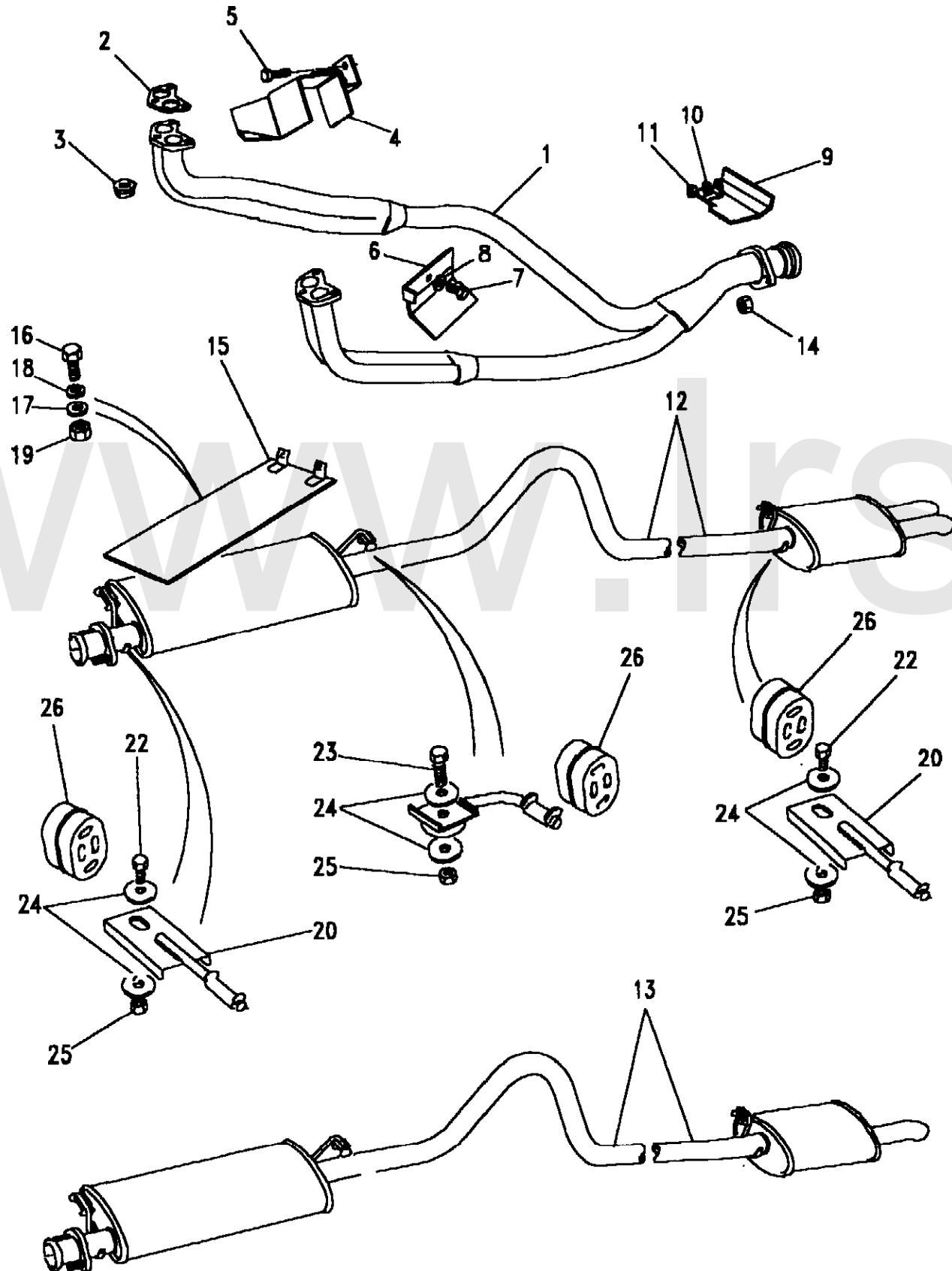
Discovery (FA393361-WA799999)
(CAKXAC1A)

Discovery (FA393361-WA799999)

Exhaust Systems
Exhaust Petrol
Exhaust System

V8 Petrol, Less Catalyst

Callout	Name	Application	Remarks & Restrictions	Service No.	Qty
1	Downpipe assembly exhaust system	V8 EFI Petrol		ESR225	1
2	Gasket exhaust system	V8 EFI	manifold to downpipe	ETC4524	2
3	Nut-locking	Change point - VIN end JA030871, V8 EFI Change point - VIN begin JA030872, V8 EFI	M8	ESR2033	6
4	Heatshield assembly exhaust-downpipe	V8 EFI		NTC4602	1
5	Screw	V8 EFI	Flanged Head, M6 x 25	FS106255L	2
6	Heatshield-front engine mounting	V8 EFI	LH	NTC4205	1
7	Screw	V8 EFI	hexagonal head, 5/16UNC x 1 1/8	SH505091L	1
8	Washer-Plain	V8 EFI		4594L	1
9	Heatshield-bracket	Change point - VIN end KA064261, V8 EFI Change point - VIN begin KA064262, V8 EFI		ESR109 ANR3227	1 1
10	Washer	V8 EFI	M10	WA110061L	1
11	Nut - Hex.	V8 EFI	M10, hexagonal head, Coarse Thread	NH110041L	1
12	Intermediate/rear assembly exhaust system	3.5L V8 EFI		ESR230	1
13	Intermediate/rear assembly exhaust system	3.9L V8 EFI		ESR2917	1
14	Nut - Hex.	V8 EFI	M10	NV110041L	2
15	Heatshield-tunnel exhaust system	V8 EFI		NRC7649	1
16	Screw-flanged head	V8 EFI	M6 X 16, Flanged Head	FS106167L	4
17	Washer	V8 EFI	6MM	WA106041L	4
18	Washer	V8 EFI	M6, sprung	WL106001L	4
19	Nut - Hex.	V8 EFI	M6, nyloc, Hexagonal	NH106041L	4
20	Bracket exhaust system	V8 EFI	Front	NTC5648	2



Exhaust Systems
Exhaust Petrol
Exhaust System 2/2

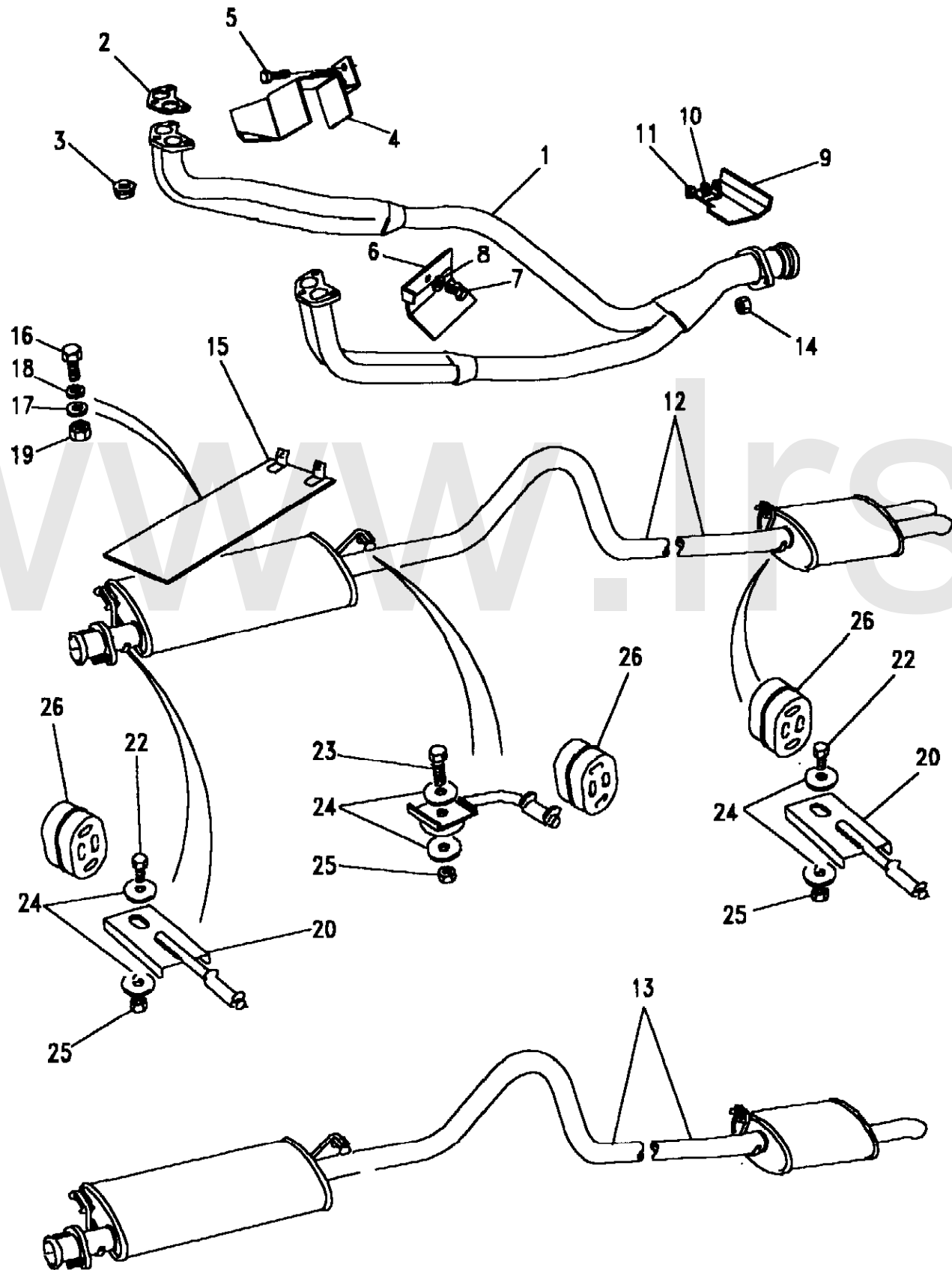
Discovery (FA393361-WA799999)
(CAKXAC1A)

Discovery (FA393361-WA799999)

Exhaust Systems
Exhaust Petrol
Exhaust System

V8 Petrol, Less Catalyst

Callout	Name	Application	Remarks & Restrictions	Service No.	Qty
21	Bracket exhaust system	V8 EFI	Centre	NTC5634	1
22	Screw	V8 EFI V8 EFI	M8 X 16, hexagonal head M8 X 16, Flanged Head	SH108161L FS108161L	2 2
23	Screw	V8 EFI	hexagonal head, M8 x 40	SH108401L	1
24	Washer-Plain	V8 EFI		WP105L	6
25	Nut - Hex.	V8 EFI	M8	NV108041L	3
26	Mounting-rubber exhaust system	V8 EFI	Rear	NTC5582	3



Exhaust Systems
Exhaust Petrol
Intermediate Silencer Petrol 1/1

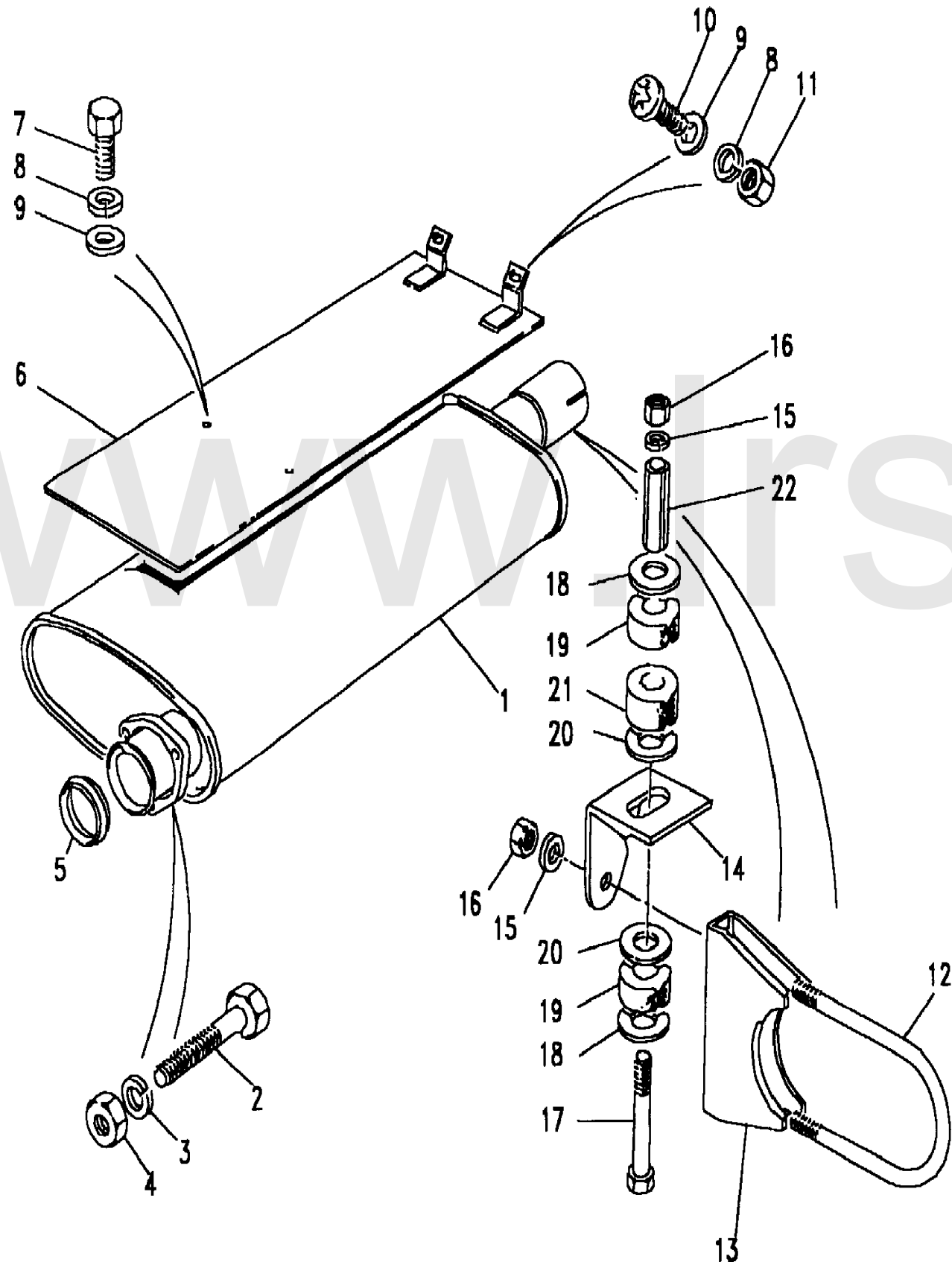
Discovery (FA393361-WA799999)
(CAKXAA2A)

Discovery (FA393361-WA799999)

Exhaust Systems
Exhaust Petrol
Intermediate Silencer Petrol

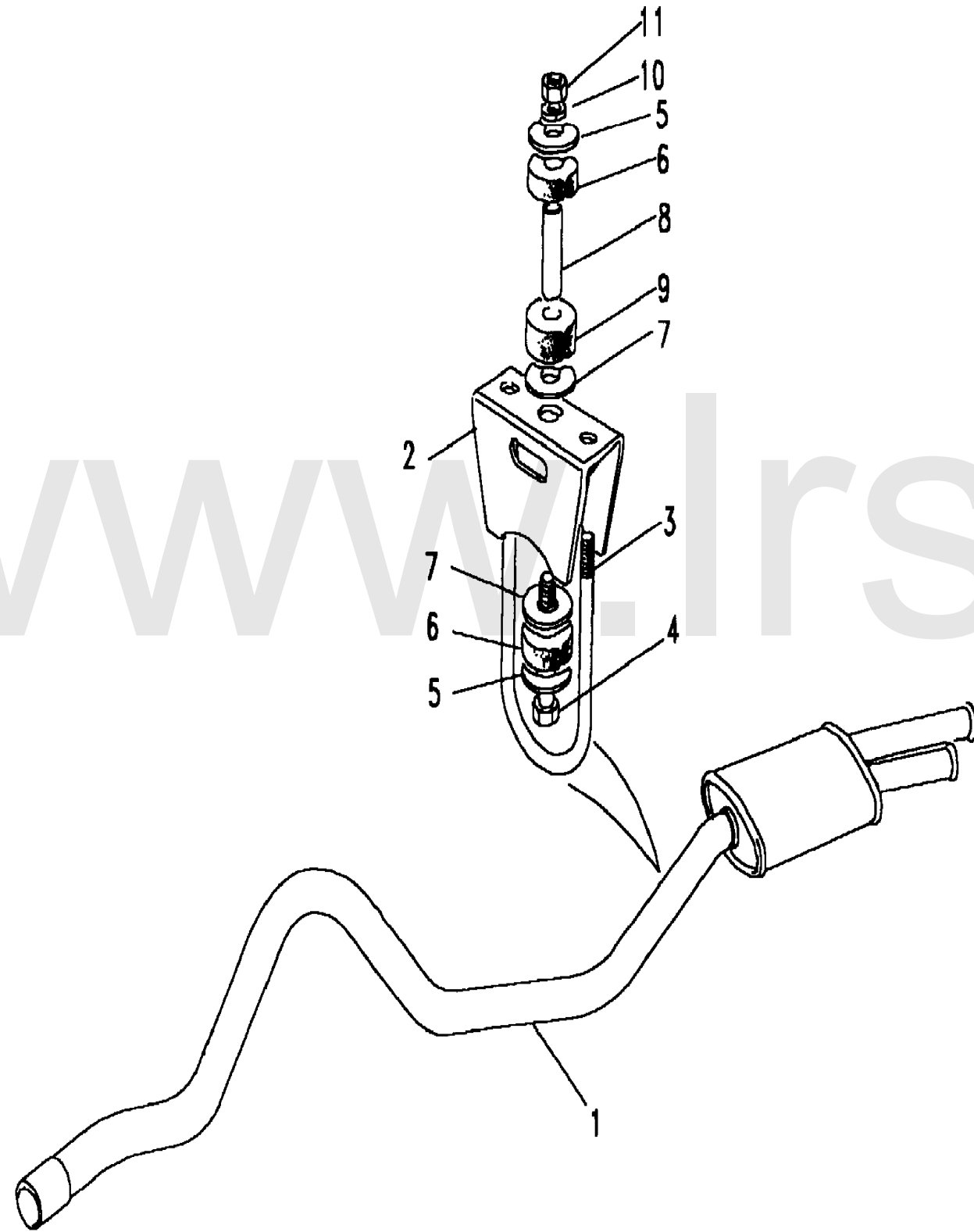
3.5L V8 Twin Carb Petrol

Callout	Name	Application	Remarks & Restrictions	Service No.	Qty
1	Exhaust silencer-intermediate	V8 Twin Carb		NTC1322	1
2	Bolt	V8 Twin Carb V8 Twin Carb	M8 x 50, Flanged Head M8 x 50, Flanged Head	BH108105L FB108101	3 3
3	Washer	V8 Twin Carb	M8, sprung	WL108001L	3
4	Nut - Hex.	V8 Twin Carb	M8	NV108041L	3
5	Olive	V8 Twin Carb	exhaust pipe joint flange	NTC1030	1
6	Heatshield-tunnel exhaust system	V8 Twin Carb		NRC7649	1
7	Screw-flanged head	V8 Twin Carb	M6 X 16, Flanged Head	FS106167L	2
8	Washer	V8 Twin Carb	M6, sprung	WL106001L	4
9	Washer	V8 Twin Carb	6MM	WA106041L	4
10	Screw	V8 Twin Carb	M6 X 16	SE106161L	2
11	Nut - Hex.	V8 Twin Carb	M6, nyloc, Hexagonal	NH106041L	2
12	Bolt-u	V8 Twin Carb		NTC2249	1
13	Clamp	V8 Twin Carb	exhaust intermediate pipe assembly	NTC2248	1
14	Bracket exhaust system	V8 Twin Carb		NTC2247	1
15	Washer	V8 Twin Carb	M8, sprung	WL108001L	3
16	Nut - Hex.	V8 Twin Carb	M8, flange	FN108041L	3
17	Bolt	V8 Twin Carb	hexagonal head, M8 x 70	BH108141L	1
18	Washer-Plain	V8 Twin Carb		WP105L	2
19	Bush	V8 Twin Carb	exhaust mounting rubber outer	572166	2
20	Washer	V8 Twin Carb		ESR3263	2
21	Bush	V8 Twin Carb	exhaust mounting rubber middle	572167	1
22	Spacer	V8 Twin Carb		NRC5403	1



Exhaust Systems
Exhaust Petrol
Tailpipe 1/1

Discovery (FA393361-WA799999)
(CAKXAA3A)



Discovery (FA393361-WA799999)

Exhaust Systems
Exhaust Petrol
Tailpipe

3.5L V8 Twin Carb Petrol

Callout	Name	Application	Remarks & Restrictions	Service No.	Qty
1	Tailpipe assembly-exhaust system	V8 Twin Carb		STC1428	1
2	Bracket exhaust system	V8 Twin Carb		NTC1637	1
3	Bolt-u	V8 Twin Carb		NTC1284	1
4	Bolt	V8 Twin Carb	hexagonal head, M8 x 70	BH108141L	1
5	Washer-Plain	V8 Twin Carb		WP105L	2
6	Bush	V8 Twin Carb	exhaust mounting rubber outer	572166	2
7	Washer	V8 Twin Carb		ESR3263	2
8	Spacer	V8 Twin Carb		NRC5403	1
9	Bush	V8 Twin Carb	exhaust mounting rubber middle	572167	1
10	Washer	V8 Twin Carb	M8, sprung	WL108001L	3
11	Nut - Hex.	V8 Twin Carb	M8, flange	FN108041L	3