

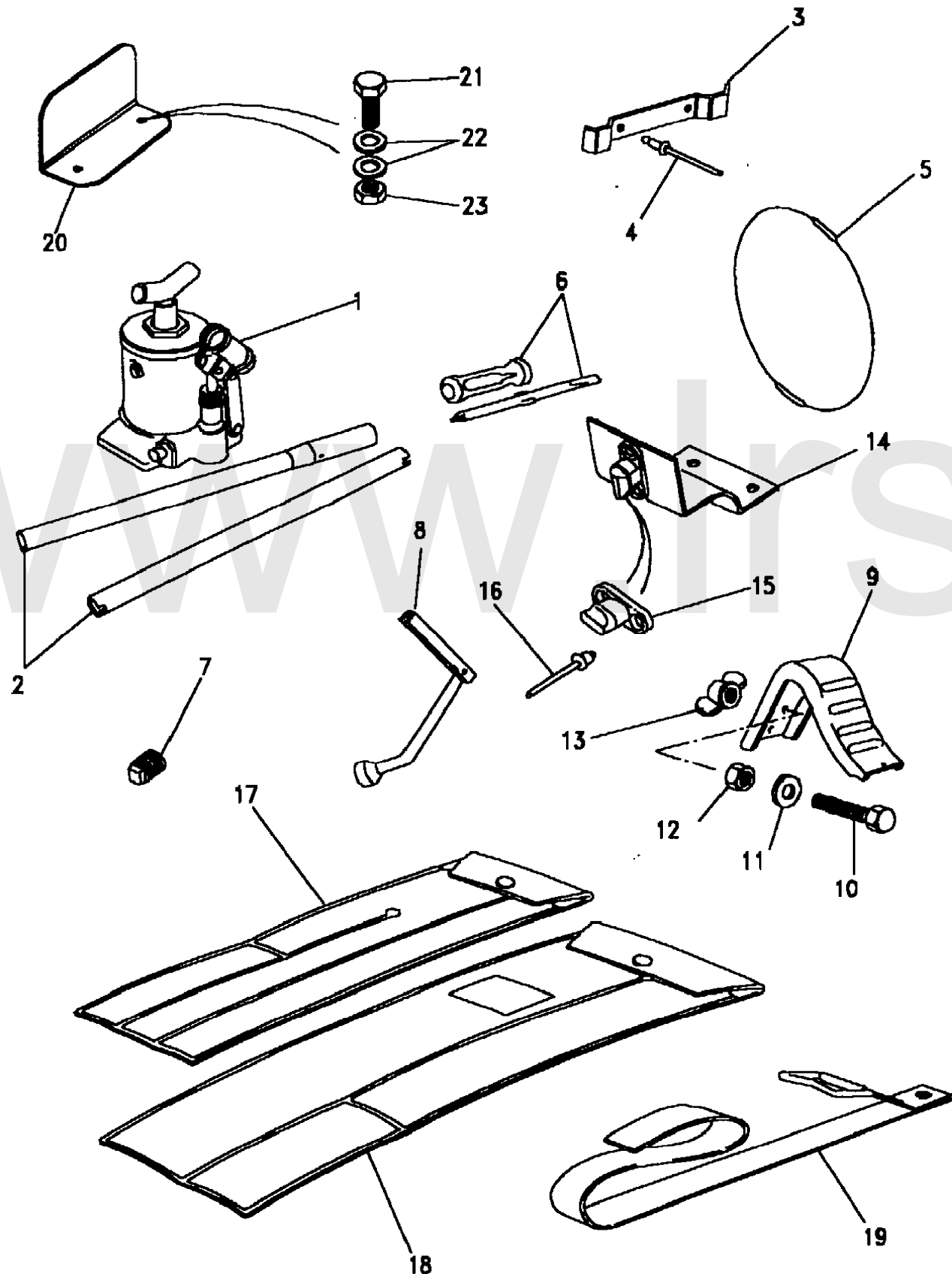
Stowage
Tools, Jacks & Fire Extinguishers
Tool Stowage 1/2

Discovery (FA393361-WA799999)
(CASXAC1A)

Discovery (FA393361-WA799999)

Stowage
Tools, Jacks & Fire Extinguishers
Tool Stowage

Callout	Name	Application	Remarks & Restrictions	Service No.	Qty
1	Jack-hydraulic	Change point - VIN end JA034313 Change point - VIN begin KA034314, Change point - VIN end MA122651 Change point - VIN begin MA122652	Also serviced as part of a kit Also serviced as part of a kit Also serviced as part of a kit	NTC6854 ANR1844 ANR4489	1 1 1
2	Handle-Jack	Change point - VIN end JA034313	Also serviced as part of a kit	NTC6856	1
3	Bracket-jack stowage mounting			MWC9313	1
4	Rivet		3/16" x 0.45"lng, pop	78248	2
5	Retainer			NRC9101	1
6	Screwdriver-tool kit			NRC6993	1
7	Plug-coolant drain			3290	1
8	Wheelbrace			NTC7829	1
9	Chock-spare wheel stowage	Change point - VIN end LA081990 Change point - VIN begin MA081991		NTC7937 ANR3052	1 1
10	Screw	Change point - VIN end LA081991	M5 x 60.	SH105601	1
11	Washer	Change point - VIN end LA081991	M5, oversize, Plain	WJ105001L	1
12	Nut-hexagonal	Change point - VIN end LA081991	M5	NH105041L	1
13	Nut - Hex.	Change point - VIN begin MA081992		NA105011L	1
14	Bracket-compressor air conditioning	Change point - VIN begin MA081992		ANR4136	1
15	Fastener-quarter turn	Change point - VIN begin MA081992	Ash Grey	MXC6292LNF	1
16	Rivet	Change point - VIN begin MA081992	Ash Grey	MXC6569LNF	2
17	Roll-tool storage			MXC6458	1
18	Bag-assembly-roof rack rails stowage			MXC6582	1
19	Strap-tool kit retention	Change point - VIN end LA081990 Change point - VIN begin MA081991		MXC7648 BTR8144	2 2



Stowage
Tools, Jacks & Fire Extinguishers
Tool Stowage 2/2

Discovery (FA393361-WA799999)
(CASXAC1A)

Discovery (FA393361-WA799999)

Stowage
Tools, Jacks & Fire Extinguishers
Tool Stowage

Callout	Name	Application	Remarks & Restrictions	Service No.	Qty
20	Bracket-jack stowage mounting	Change point - VIN end JA019333 Change point - VIN begin LA081991		MXC7888 BTR8148	1 1
21	Screw	Change point - VIN end JA019333	hexagonal head, M6 X 14	SH106141L	2
22	Washer	Change point - VIN end JA019333	6MM	WA106041L	2
23	Nut - Hex.	Change point - VIN end JA019333	M6, nyloc, Hexagonal	NH106041L	2
[900]	Jack-hydraulic			KAJ100610	1
[901]	Label-jack information	Change point - VIN end JA034313	Also serviced as part of a kit	NTC6857	1
[902]	Mat-rubber	Change point - VIN begin LA081991		BTR8713	1

